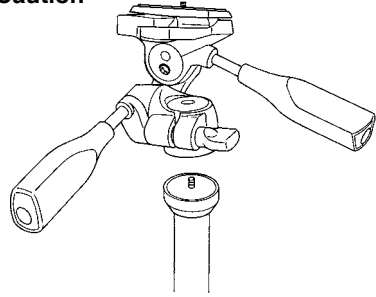
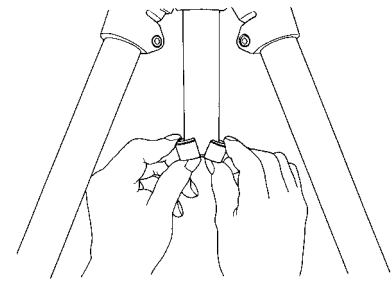


## Inverting the Center column

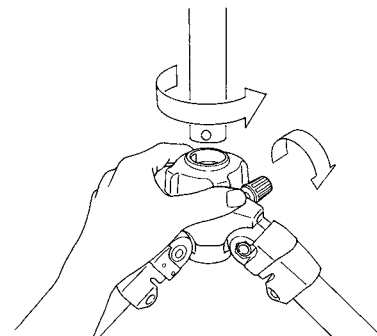
### ⚠ Caution



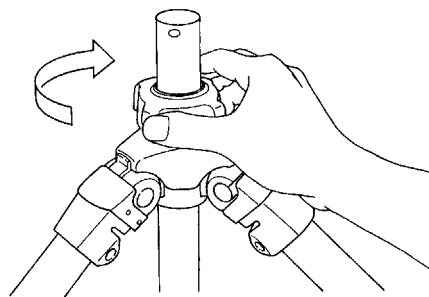
Always remove the Pan head when replacing the Center column.



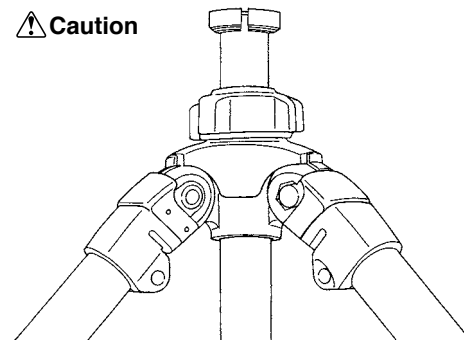
Remove the Rubber stopper from the Bottom of the column.



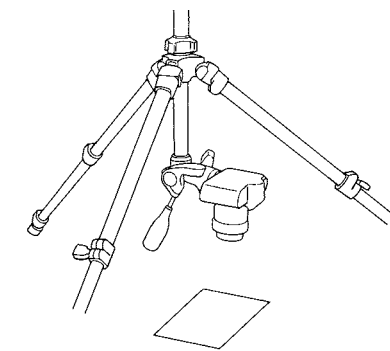
Loosen the Center column stopper and the Locking collar, and then pull out the Center column.



Insert the Center column from the lower side of Main body, and tighten the Locking collar and the Center column stopper.



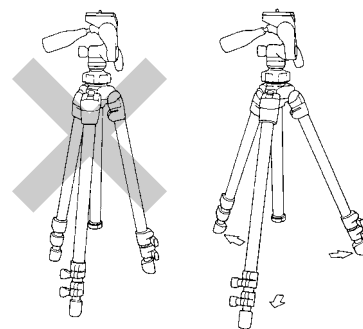
⚠ Caution  
Make sure to re-attach the Rubber stopper, in order to prevent the Center column from falling out.



By inverting the Center column, it is possible to do copy, and close up work. Follow the same procedures in order to replace with optional short Center column.

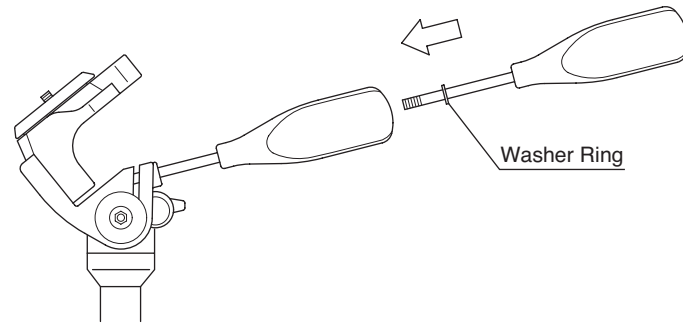
## Opening the Tripod legs

### ⚠ Caution



Be sure to open all three legs completely in order to prevent camera shakes, or accidental tip overs caused by unstableness.

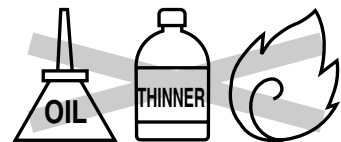
## Storage



Remove the Vertical tilt handle from the Pan head, and screw into the back of the Pan & Tilt handle. Make sure the washer ring on the thread stays on with the handle.

## Care of the Tripod

- DO NOT apply any grease or oil to this product.
- Clean with a mild detergent and a soft cloth only.
- DO NOT use close to flame. Avoid extreme heat.



# SLIK®

## ABLE 300DX

### Operating Instructions

Congratulations on the purchase of a SLIK ABLE 300DX Tripod. SLIK Corporation has designed your tripod to be a sturdy, rugged, dependable product that will provide you with many years of satisfactory use.

Please take a few moments to read this instruction sheet carefully so you can take full advantage of your Tripod's many fine features. Retain this instruction sheet in case you might want to refer back to it.

### ⚠ Caution

This caution icon refers to information pertaining to important safety procedures in preventing injuries, and damages which may occur as a result of mishandling this product.

### ⊘ Prohibited

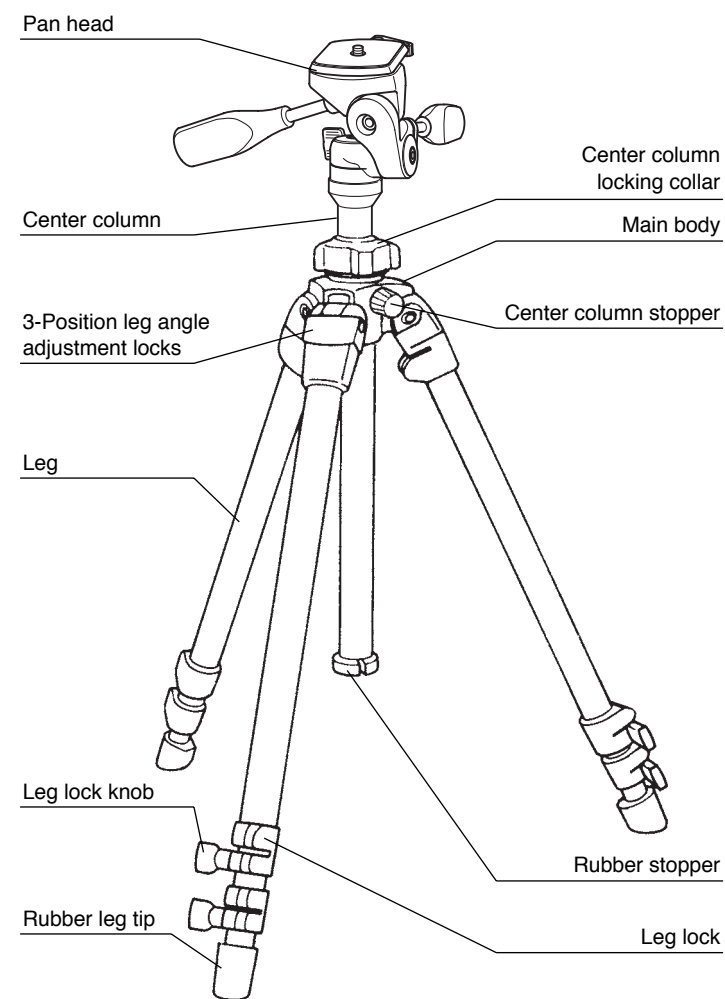
This prohibited icon refers to information pertaining to prohibited contents. Please refer to instructions closely to avoid accidents.

### Specification

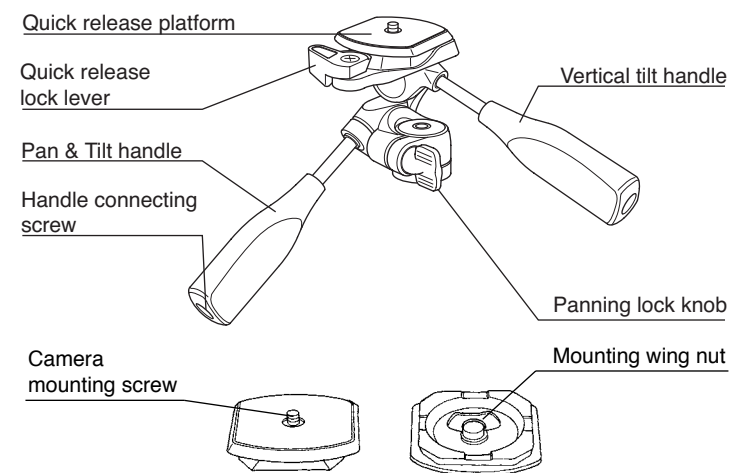
Length folded	655mm (25 3/4")
Max. operating height	1,550mm (61 1/4")
Max. center column ext.	265mm (10 5/12")
Weight	2.5kg (5lbs 8oz)

C034-3

## Components

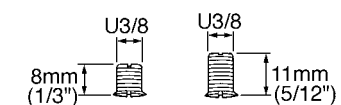


## Pan head



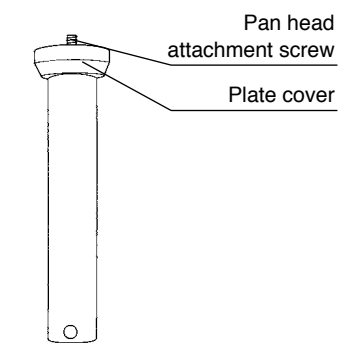
## Options

THREAD ADAPTER SET  
Cat. No. 618-331



On this tripod, please buy Thread Adapter Set when the Pan head that there are large screw (U3/8) tripod installation screws is attached.

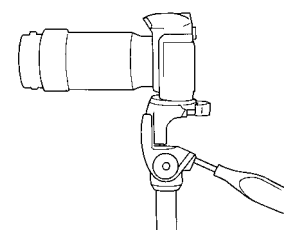
ABLE 300 DX/ST  
SHORT CENTER COLUMN  
Cat. No. 615-311



## Equipment that can be used with this Tripod

### ⚠ Caution

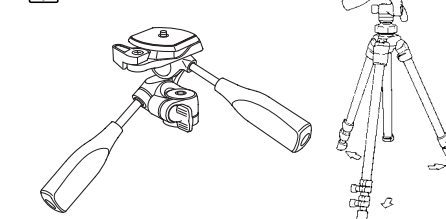
### ⊘ Prohibited



This product has been designed to handle equipment weighing under 5 kgs (11 lbs). Do not overload. Some equipment weighing under 5 kgs (11 lbs), such as long lenses, may not balance well due to its weight distribution. In such case, please use a larger tripod.

## Setting up

### ⚠ Caution

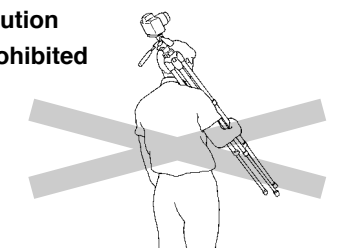


Prevent accidental equipment fall, or tripod tipping over, by making sure all levers, knobs, and handles on the tripod are securely tightened, and that all three legs are opened all the way.

## Carrying the Tripod

### ⚠ Caution

### ⊘ Prohibited



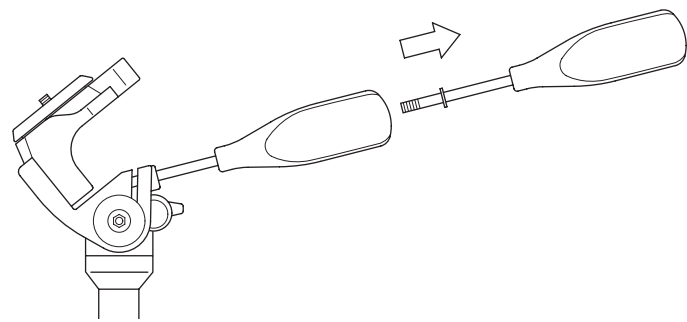
Carrying a tripod with a camera left on can result in unexpected accidents. We therefore, recommend you to remove your camera while carrying the tripod.

Slik Corporation reserves the right to make changes in design and/or improvements on the products without any obligation and advanced notice.

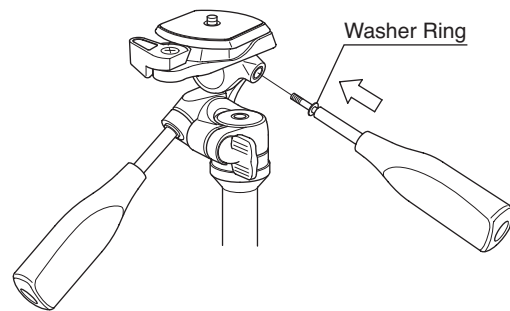
SLIK CORPORATION  
853 Kayama, Hidaka city, Saitama 350-1231, Japan Phone 81-42-989-2141, Fax. 81-42-985-0210 ©2005

Printed in Thailand.

### Install the Vertical tilt handle

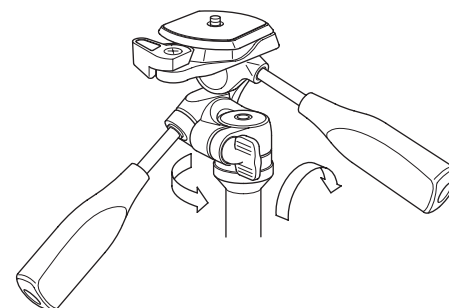


Remove the Vertical tilt handle from the back of the Pan & Tilt handle where it is stored.

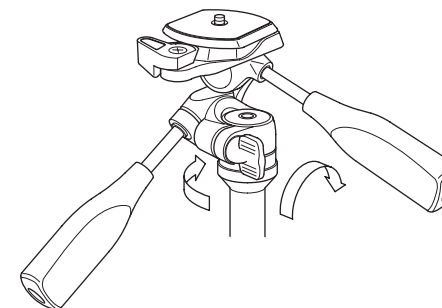


Check to see that there is a washer ring on the shaft of the Vertical tilt handle, and then insert the shaft into the threaded hole located on the right side of the Pan head. Screw handle all the way in until secure.

### Removing the Head from the Center column

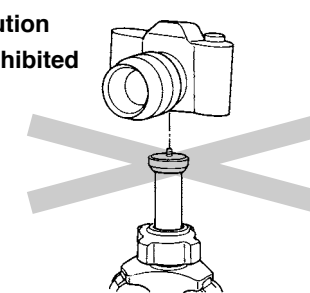


Use the following instructions if you wish to change heads, or attach accessories. First, lock the Panning lock knob, then grasp the Pan, or Vertical tilt handle and turn the head, counter-clockwise to loosen.



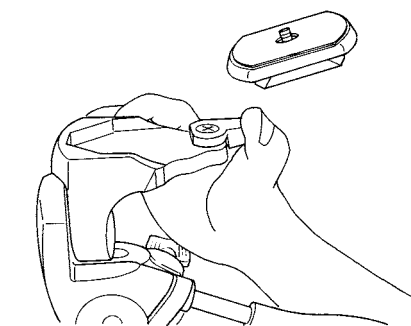
Set the new head, or accessory on the tripod's threaded post, and turn clockwise until it comes to a stop. Tighten the Panning lock knob and turn clockwise slightly more.

**Caution**  
**Prohibited**

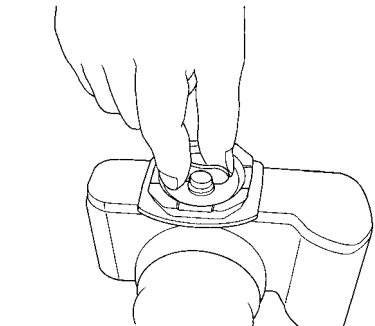


Do not attach camera directly to the threaded post of the Center column. This may damage both camera and tripod.

### Attaching the camera to the Quick release platform

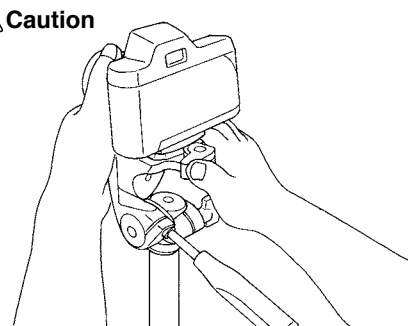


To remove the Quick release platform from the Pan head, turn Quick release lock lever and lift out Platform from its back.



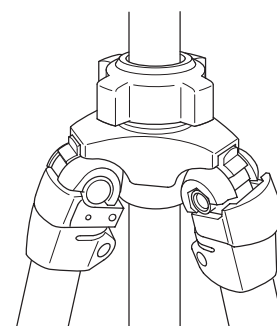
Align the length of the Platform along the base of the camera body, and securely tighten the Mounting wing nut.

**Caution**

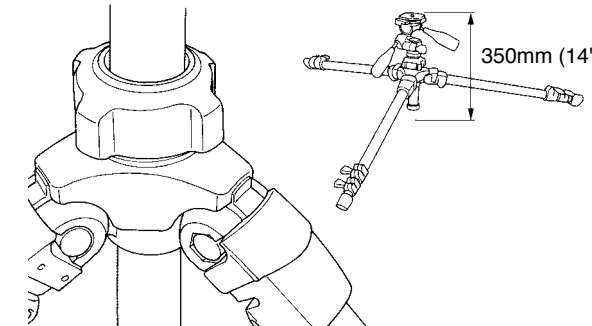


When attaching the camera to the Pan head, check to make sure that the Quick release platform is engaged in the catch of the Pan head before locking the lever.

### Three position adjustable legs

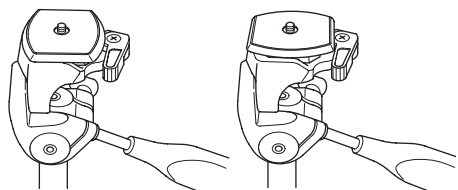


To change the angle of each leg, close the leg slightly, and then pull the Leg angle adjustment lock out. There is a choice of two other angle positions.

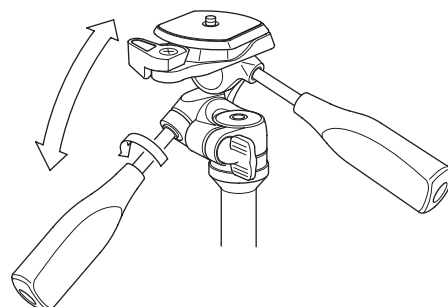


After choosing the desired leg angle, securely push in the Adjustment lock. By using the optional short center column, you can obtain the lowest camera height of 350 mm (14").

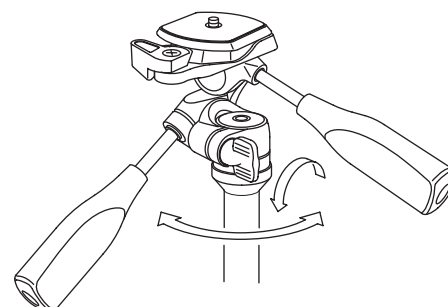
### Using the Pan head



The Quick release platform can be attached to the camera body in either directions (along the length, or along the width). This feature facilitates your camera set up into the vertical position, simply by the turn of one of the tilt handles.

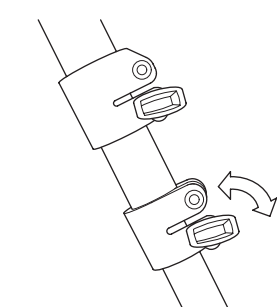


Loosen the Pan & Tilt handle, and the head will tilt back and forth.



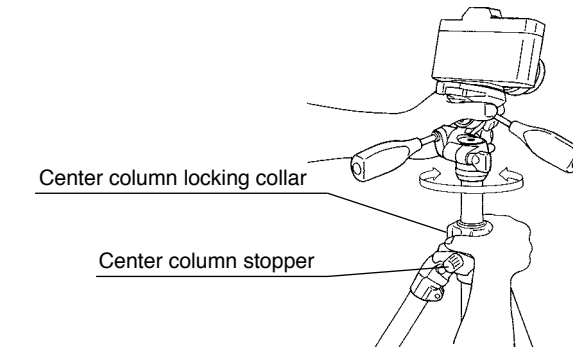
Loosen the Panning lock knob, and the head will rotate along the horizontal direction.

### Extending the Tripod legs

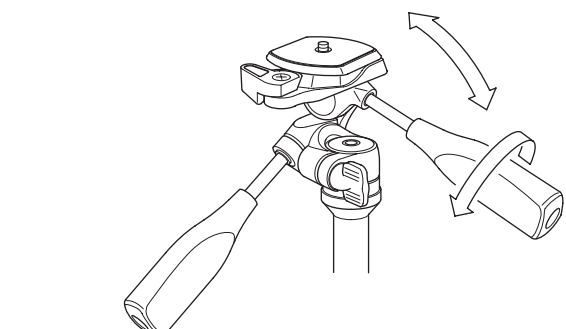


To extend, or shorten a leg, loosen the Leg lock knob by turning it counter clockwise. Turn knob clockwise to tighten, at the desired height. Do not over tighten the Leg lock knob, as this may damage the leg tube.

### Using the Center column

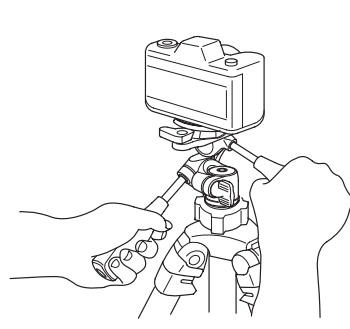


Hold onto the Pan head with one hand, and loosen the Center column stopper and the Center column locking collar with the other hand. Raise or lower Pan head to desired height, and while maintaining a hold of the Pan head, tighten the Locking collar and the stopper.



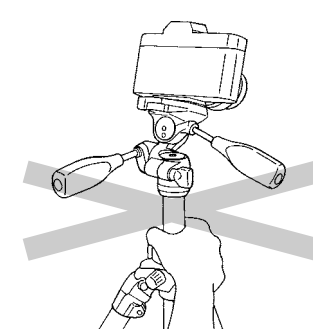
Loosen the Vertical tilt handle, and the level can be adjusted.

**Caution**



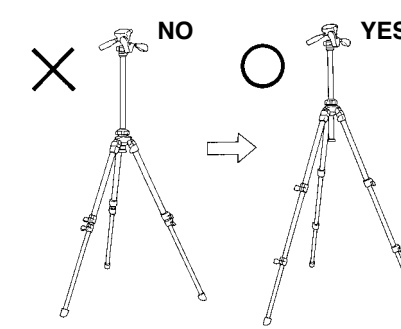
When loosening either the Pan & Tilt handle, or the Vertical tilt handle, take precaution by keeping a firm grip on the handle until the Pan head is locked down.

**Caution**  
**Prohibited**



You may injure your hand by a sudden fall, if you let go of the Pan head before locking the collar. Turn the Locking collar with your fingers on the side of the collar.

**Caution**



To avoid unnecessary camera vibrations, try to keep the Center column height to a minimum. Also use the larger legs first, when extending the legs.