

Operating Instructions

Congratulations on the purchase of a SLIK U 8000 Tripod. SLIK Corporation has designed your tripod to be a sturdy, rugged, dependable product that will provide you with many years of satisfactory use.

Please take a few moments to read this instruction sheet carefully so you can take full advantage of your Tripod's many fine features. Retain this instruction sheet in case you might want to refer back to it.

⚠ Caution

This caution icon refers to information pertaining to important safety procedures in preventing injuries, and damages which may occur as a result of mishandling this product.

🚫 Prohibited

This prohibited icon refers to information pertaining to prohibited contents. Please refer to instructions closely to avoid accidents.

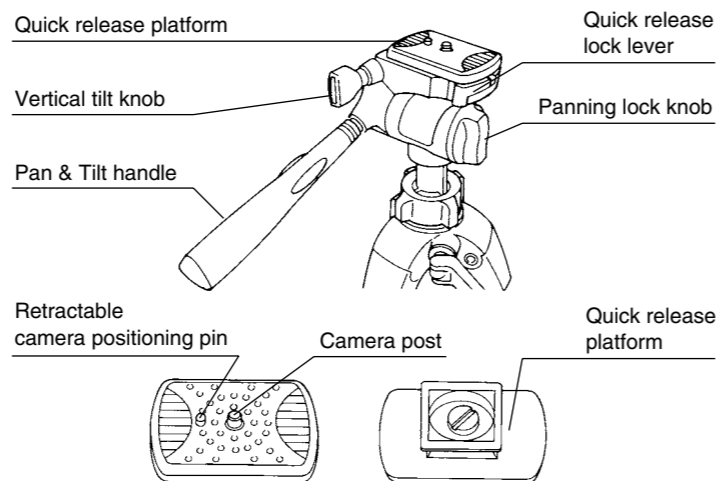
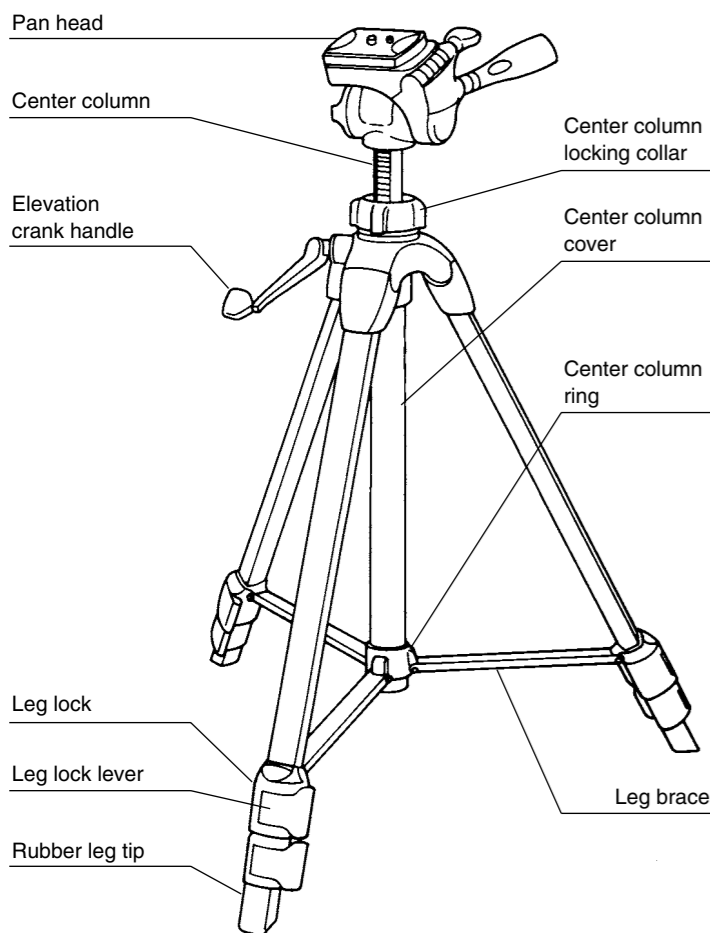
Specification

Length folded	590mm (23 1/4")
Max. operating height	1,500mm (59 1/12")
Max. center column ext.	300mm (11 5/6")
Weight	1.5kg (3 lbs 5 oz)

French instruction in reverse side.

K148

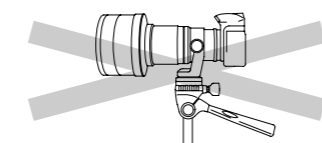
Components



Equipment that can be used with this tripod

⚠ Caution

🚫 Prohibited



This product has been designed to handle equipment weighing under 2 kgs (4 lbs 6 oz). Do not overload. Some equipment weighing under 2 kgs (4 lbs 6 oz), such as long lenses, may not balance well due to its weight distribution. In such case, please use a larger tripod.

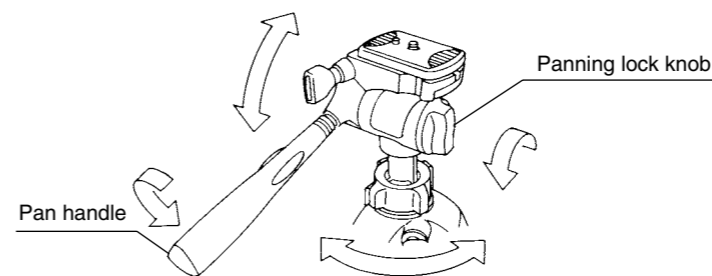
Carrying the tripod

🚫 Prohibited



Carrying a tripod with a camera left on can result in unexpected accidents. We therefore, recommend you to remove your camera while carrying the tripod.

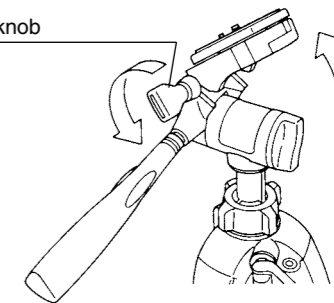
How to use the 3 Way pan head



Slik's 3 way Pan head allows your still, or video camera, three independent movements.

Turn the Pan handle barrel counterclockwise until you feel it loosen, and you can tilt the camera up and down. When you have the angle you want, tighten the Handle in a clockwise direction until it locks in.

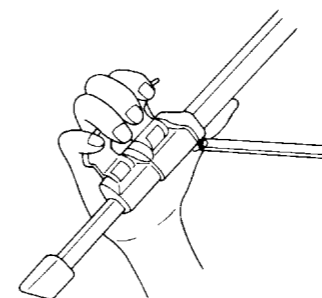
Vertical tilt lock knob



To rotate the camera left or right, loosen the Panning lock knob. When you want to lock in at a certain position, tighten the Knob.

For vertical position shots with your still camera, loosen the Vertical tilt lock knob, and tilt the Camera platform to the desired position. Then lock the vertical tilt lock knob.

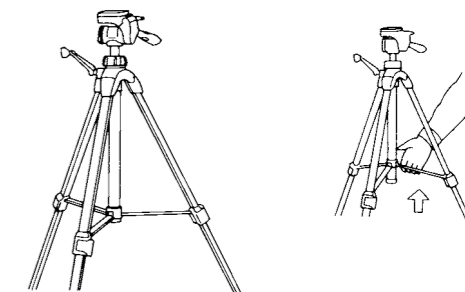
Extending the tripod legs



Flip up the Leg lock lever to extend or shorten any of the individual leg sections to the desired length, and press the leg lock lever flush against the leg to lock.

For greater stableness, use the thicker leg columns first.

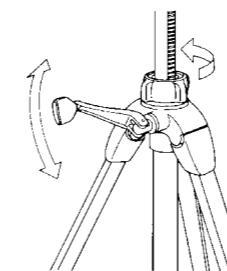
How to open and close the tripod legs



Holding two legs, one in each hand, tilt the tripod on its third leg. Pull the two legs you are holding outward, and all three legs will open at once. Open until the Center column ring is seated at the very bottom of the Center column.

To close the legs, be sure to first raise the Center column ring up slightly, and then push the legs close.

Elevating the center column

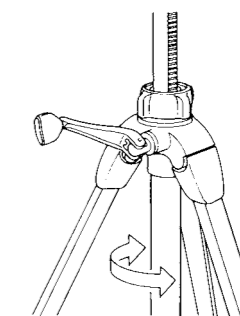


Loosen the Center column locking collar, and turn the Elevation crank handle to raise or lower the Center column.

Always be certain to tighten the Locking collar before taking your hands off the Crank handle to prevent accidental falls.

The "Center lock" mechanism featured in this model prevents unwanted camera movements which often occurs when tightening the center column.

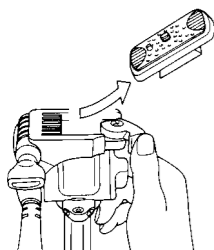
Adjusting elevation tension



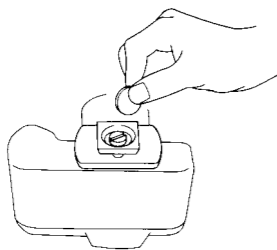
Use the Center column tension adjustment tube located around the Center column if you wish to adjust the tension of the center column movement.

Rotate the tube counterclockwise to increase tension. For less tension, rotate clockwise.

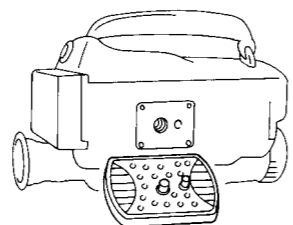
Attaching camera to the Quick release platform



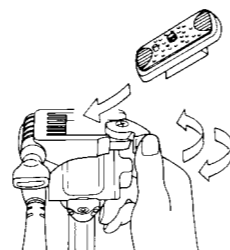
To remove the Quick release platform from the Pan head, turn Quick release lock lever counterclockwise, and lift Platform out at an angle from the side closest to the lever.



The retractable Camera positioning pin enables you to mount either a video, or a still camera on to the Quick release platform. For still cameras, align the length of the Platform along the baseplate of the camera body, and tighten screw into the tripod socket with a coin.



For video cameras, match the Camera positioning pin of the Platform to the corresponding hole beneath the camera, and then tighten screw into tripod socket with a coin. Replacement Quick release platform for the U 8000 is available. Cat. No. 618-731



Return Quick release platform back onto the Pan head by inserting at an angle from the side closest to the Quick release lock lever.

Care of the Tripod

DO NOT apply any grease or oil to this product. Clean with a mild detergent and a soft cloth only. DO NOT use close to flame. Avoid extreme heat.



Slik Corporation reserves the right to make changes in design and/or improvements on the products without any obligation and advanced notice.