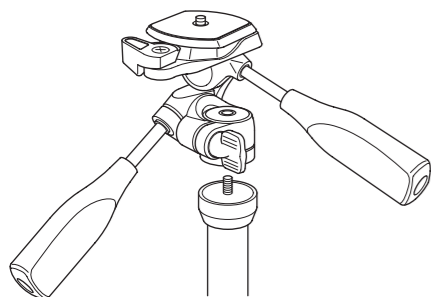
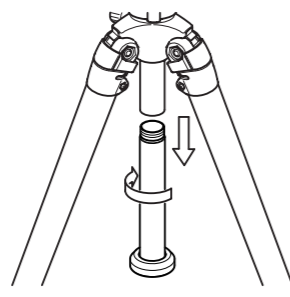


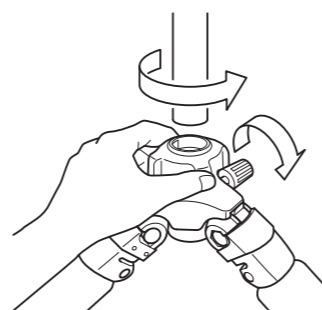
Inverting the center column



1. Remove the pan head when inverting &/or replacing the center column.



2. Remove the lower part of center column. Hold the upper part of center column and turn the lower part of center column.



3. Remove the upper part of center column. Loosen the center column stopper and the center column stopper. Pull out the upper part of center column from the main body.

SLIK®

PRO 400DX

Operating Instructions

Congratulations on the purchase of a SLIK PRO 400DX Tripod. The SLIK Corporation has designed your tripod to be a sturdy, rugged, dependable product that will provide you with many years of satisfactory use.

Please take a few moments to read this instruction sheet carefully so you can take full advantage of your Tripod's many fine features. Retain this instruction sheet in case you might want to refer back to it.

⚠ Caution

This caution icon refers to information pertaining to important safety procedures in preventing injuries, and damages which may occur as a result of mishandling this product.

🚫 Prohibition

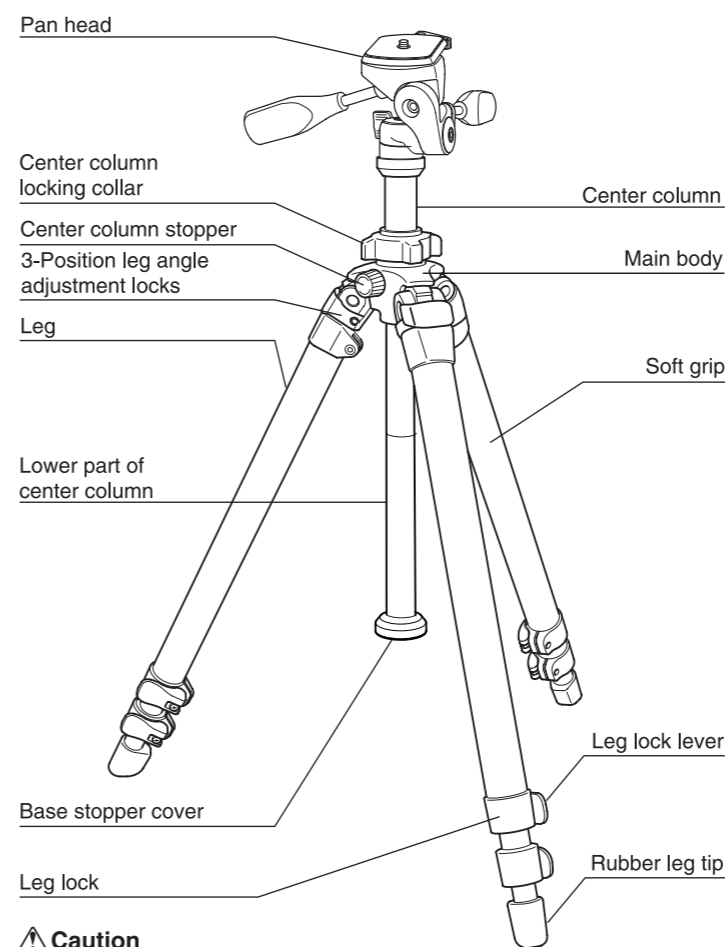
This prohibited icon refers to information pertaining to prohibited contents. Please refer to instructions closely to avoid accidents.

Specification

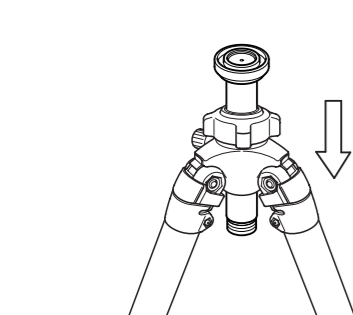
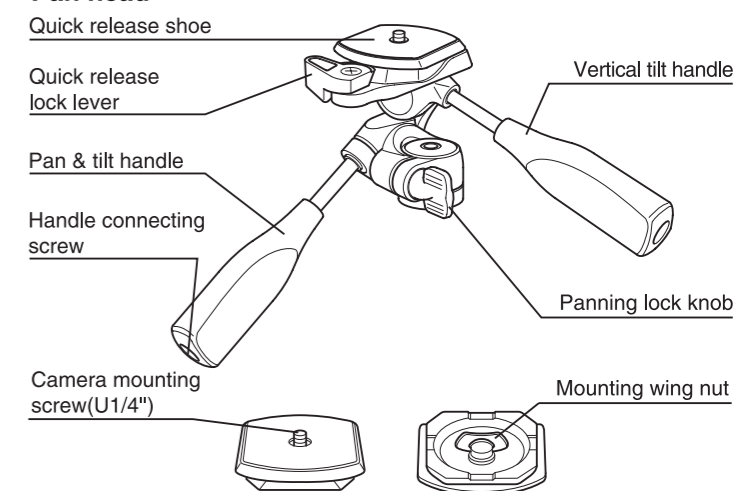
Folded length	650mm (25.6in)
Max. operating height	1,535mm (60.4in)
Max. center column ext.	265mm (10.4in)
Weight	2,520g (5.67lbs)

D393-3

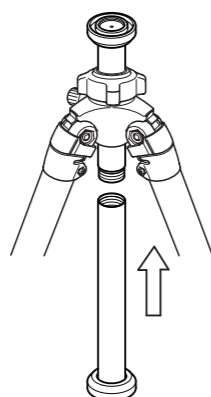
Components



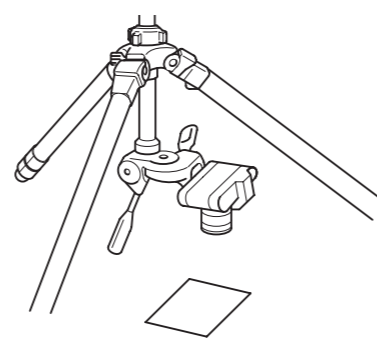
Pan head



4. Pull in the lower part of center column from the top of the main body.

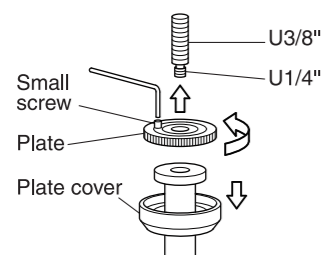


5. Screw in the upper part of center column to the lower part of center column.



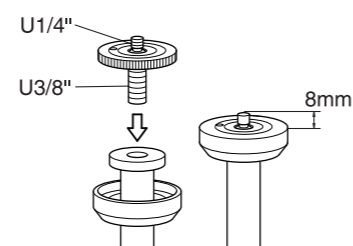
6. By inverting the center column, it is possible to do copy, and close up work.

How to change the pan head fixing screw



The pan head fixing screw is reversible for either large thread (U3/8") or small thread (U1/4").

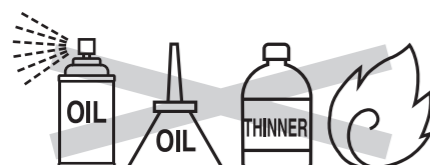
1. Move the plate cover down.
2. Loosen the small screw in about three turnings with an allen wrench (2.5mm width).
3. Loosen the plate without removing the small screw.



4. Loosen the head fixing screw and pull it out. Then screw it in again after reversing the top and the bottom.
5. Adjust the height of screw in approx. 8mm above the plate. Then tighten the small screw by an allen wrench.
6. Put the plate cover back.

Care of the tripod

- DO NOT apply any grease or oil to this product.
- Clean with a mild detergent and a soft cloth only.
- DO NOT use close to flame. Avoid extreme heat.

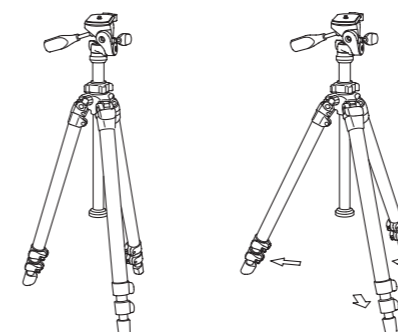


Slik Corporation reserves the right to make changes in design and/or improvements on the products without any obligation and advanced notice.

SLIK CORPORATION
853 Kayama, Hidaka City, Saitama 350-1231, Japan Phone 81-42-989-2141, Fax. 81-42-985-0210 ©2015

Setting up

⚠ Caution



To prevent accidental equipment fall or tripod tipping over, making sure all levers, knobs and handles on the tripod are securely tightened. And all of the three legs are opened all the way.

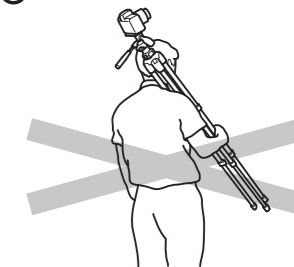
Equipment that can be used with this tripod

🚫 Prohibition

This product has been designed to handle equipment weighing under 5 kgs (11 lbs). Do not overload. Some equipment weighing under 5 kgs (11 lbs), such as long lenses, may not balance well due to its weight distribution. In such case, please use a larger tripod.

Carrying the tripod

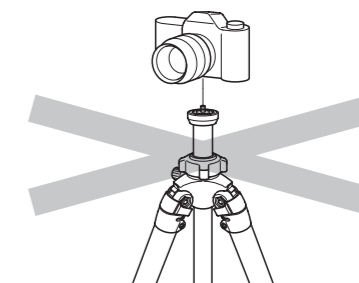
🚫 Prohibition



Carrying a tripod with a camera left on can result in unexpected accidents. We therefore, recommend you to remove your camera while carrying the tripod.

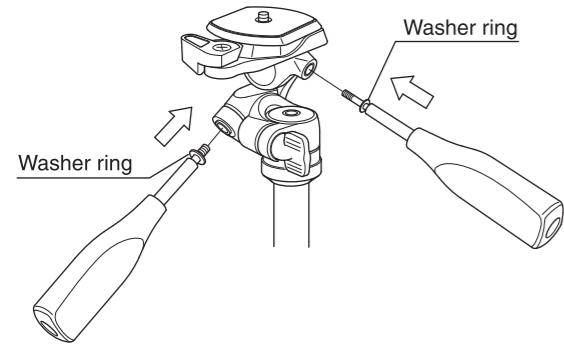
Pan head mounting post

🚫 Prohibition



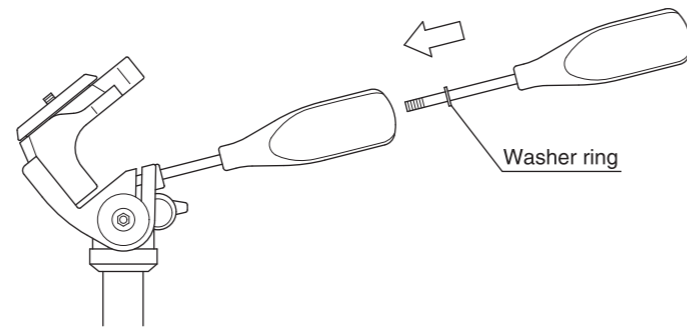
Do not attach camera directly to the threaded post of the center column. This may damage both camera and tripod.

Install the handles



Attach the two pan handles to the pan head, by inserting the shorter handle to the left, and the longer handle to the right. Do not reverse.

Storage



Remove the vertical tilt handle from the pan head, and screw into the back of the pan & tilt handle. Make sure the washer ring on the thread stays on with the handle.

Removing the head from the center column



Use the following instructions if you wish to change heads, or attach accessories. First, lock the panning lock knob, then grasp the pan, or vertical tilt handle and turn the head, counter-clockwise to loosen.

Set the new head, or accessory on the tripod's threaded post, and turn clockwise until it comes to a stop. Tighten the panning lock knob and turn clockwise slightly more.

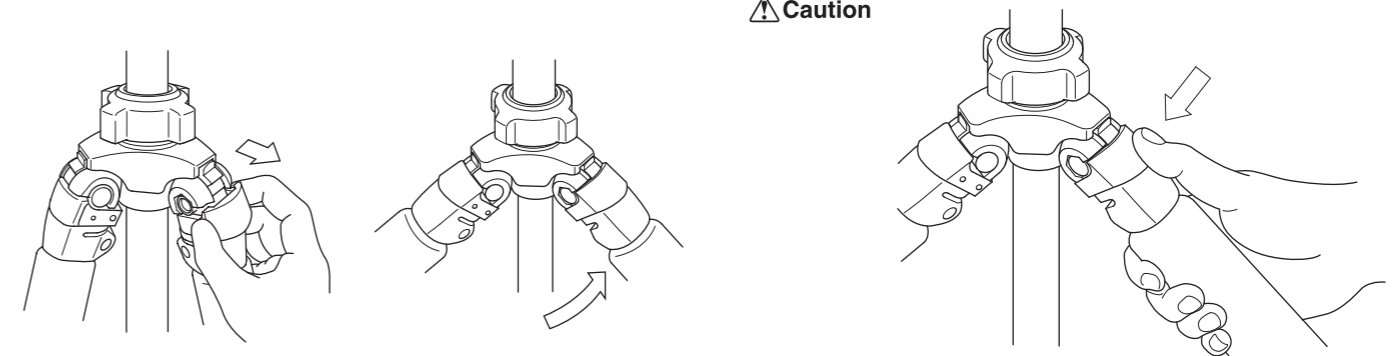
Attaching the camera to the quick release shoe



To remove the quick release shoe from the pan head, turn quick release lock lever and lift out quick release shoe from its back.

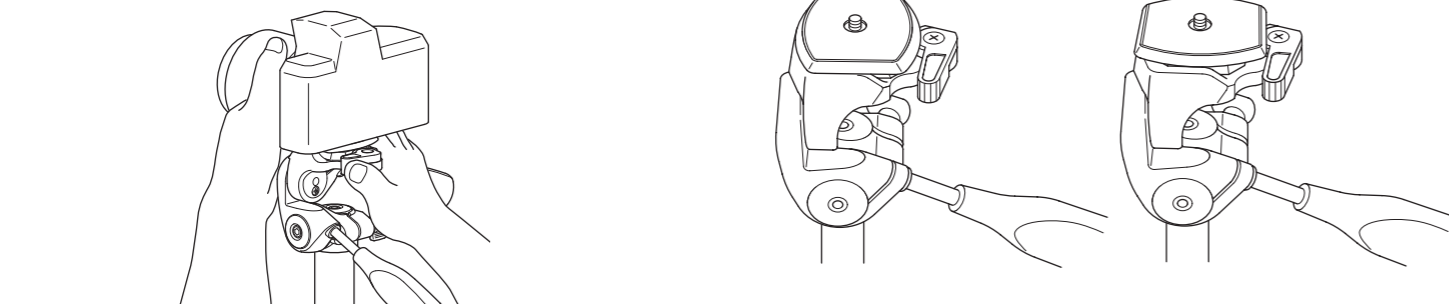
Align the length of the quick release shoe along the base of the camera body, and securely tighten the mounting wing nut.

Three position adjustable legs



To change the angle of each leg, close the leg slightly and then pull the leg angle adjustment lock out. There is a choice of two other angle positions.

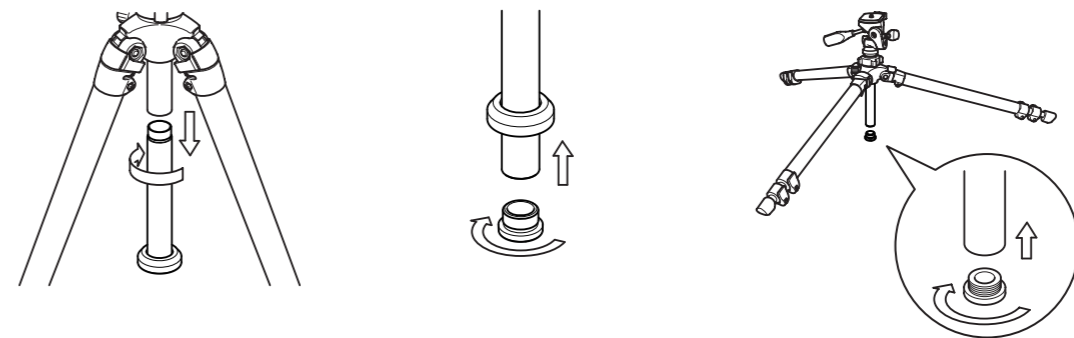
After choosing the desired leg angle, securely push in the adjustment lock.



When attaching the camera to the pan head, check to make sure that the quick release shoe is engaged in the catch of the pan head before locking the lever.

The quick release shoe can be attached to the camera body in either directions (along the length, or along the width). This feature facilitates your camera set up into the vertical position, simply by the turn of one of the tilt handles.

How to get low level shots

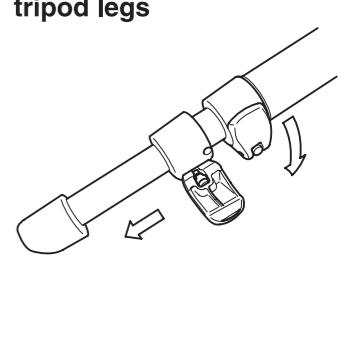


Remove the lower part of center column.

Slide the base stopper cover and remove the center column base stopper.

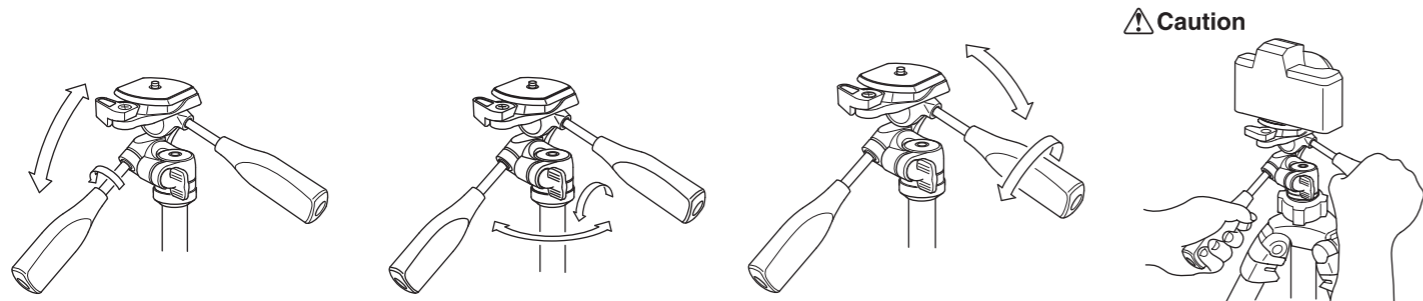
Screw in the center column base stopper to the bottom of the upper part of center column.

Extending/Folding of tripod legs



Open the leg lock lever for extending/folding of tripod legs. Lock the lever tightly at your required position.

Using the pan head



Loosen the pan & tilt handle, and the head will tilt back and forth.

Loosen the panning lock knob, and the head will rotate along the horizontal direction.

Loosen the vertical tilt handle, and the level can be adjusted.

When loosening either the pan & tilt handle, or the vertical tilt handle, take precaution by keeping a firm grip on the handle until the pan head is locked down.

Using the center column



Hold onto the pan head with one hand, and loosen the center column locking collar with the other hand. Raise or lower pan head to desired height, and while maintaining a hold of the pan head, tighten the locking collar.

You may injure your hand by a sudden fall, if you let go of the pan head before locking the collar. Turn the locking collar with your fingers on the side of the collar.

To avoid unnecessary camera vibrations, try to keep the center column height to a minimum. Also use the larger legs first, when extending the legs.