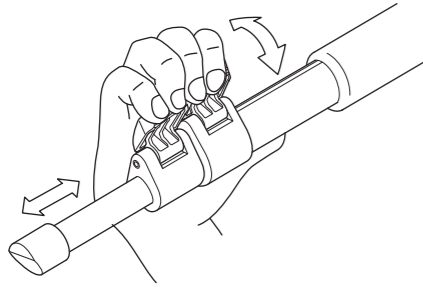


Extending the tripod legs

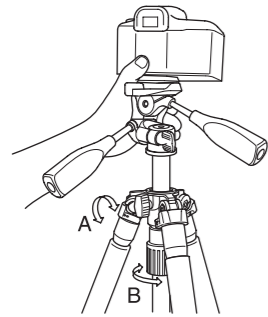


Flip up the leg lock lever to extend or shorten any of the individual leg sections to the desired length and press the leg lock lever flush against the leg to lock.

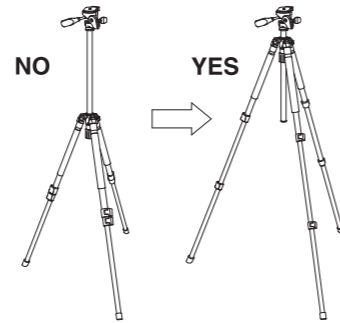


It is easier to extend the tripod legs if you turn the leg-tips to the foot, while leaving legs close.

Operating the center column

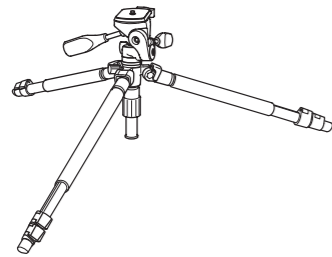


A - Screw-type
Center column stopper is used to lock or unlock center column.
B - Twist-type
Center column locking nut is used to adjust a tension of the movement.
The both of A and B must be locked for fixing center column.

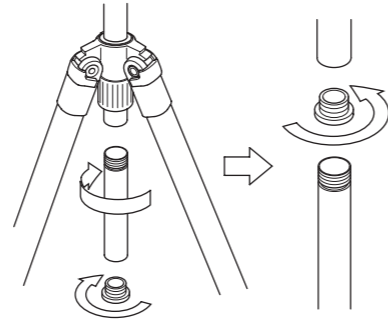


To avoid unnecessary camera vibrations, try to keep the center column height to a minimum.
Also use the larger legs first when extending the legs.

How to get low position shots



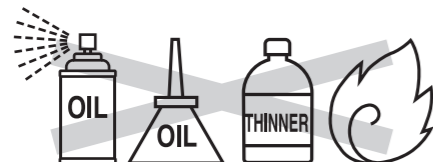
You can get lower height.



Remove the center column base stopper and then, remove the lower part of center column.
Put the center column base stopper on the upper part of center column.

Care of the tripod

- DO NOT apply any grease or oil to this product.
- Clean with a mild detergent and a soft cloth only.
- DO NOT use close to flame. Avoid extreme heat.



Slik Corporation reserves the right to make changes in design and/or improvements on the products without any obligation and advanced notice.

SLIK CORPORATION
853 Kayama, Hidaka City, Saitama 350-1231, Japan Phone 81-42-989-2141, Fax. 81-42-985-0210 ©2015

SLIK®

PRO 300 SERIES Tripod

Operating Instructions

Thank you very much for choosing SLIK PRO 300 SERIES Tripod. The SLIK Corporation has designed your tripod to be a sturdy, rugged, dependable product that will provide you with many years of satisfactory use.

Please take a few moments to read this operating instruction carefully before use so that you can take full advantage of your Tripod's many fine features.
Retain this operating instruction in case you might want to refer back to it.

⚠ Caution

This caution icon refers to information pertaining to important safety procedures in preventing injuries, or damages which may occur as a result of mishandling this product.

🚫 Prohibition

This prohibited icon refers to information pertaining to prohibited contents. Please refer to instructions closely to avoid accidents.

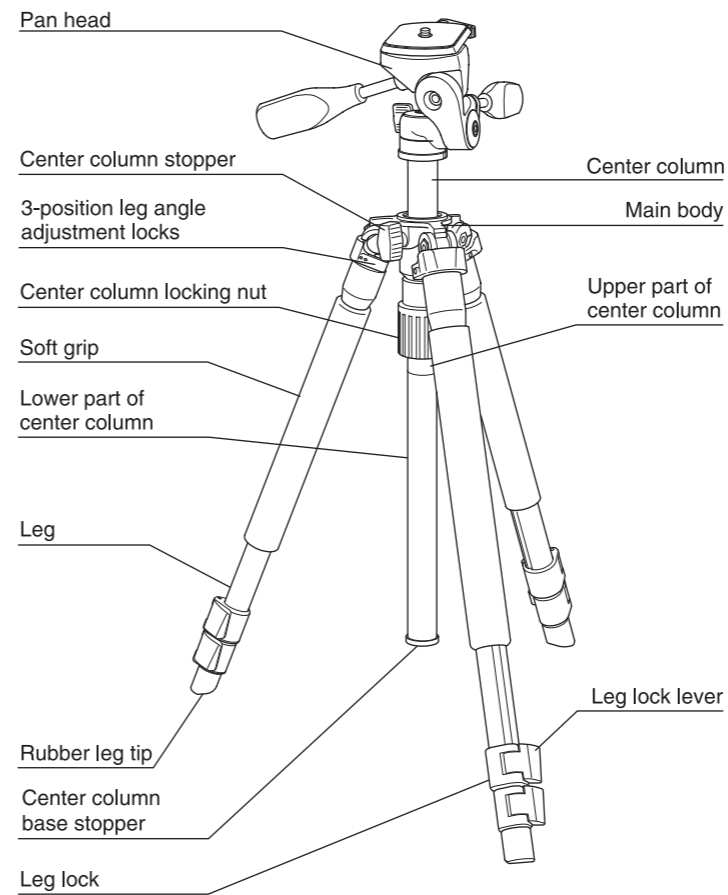
Specification

PRO 330DX, PRO 330DX-B	
Length folded	600 mm (23.7 in)
Max. operating height	1,592 mm (62.5 in)
Max. center column ext.	350 mm (13.7 in)
Weight	1,705 g (3.8 lbs)

PRO 340DX, PRO 340DX-B	
Length folded	490 mm (19.3 in)
Max. operating height	1,440 mm (56.6 in)
Max. center column ext.	290 mm (11.4 in)
Weight	1,625 g (3.6 lbs)

E646-3

Components

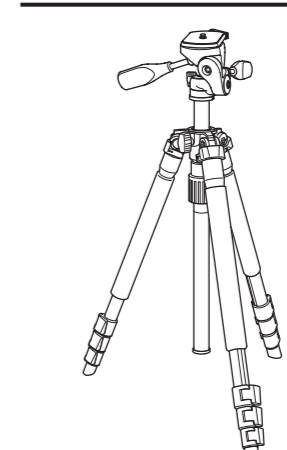
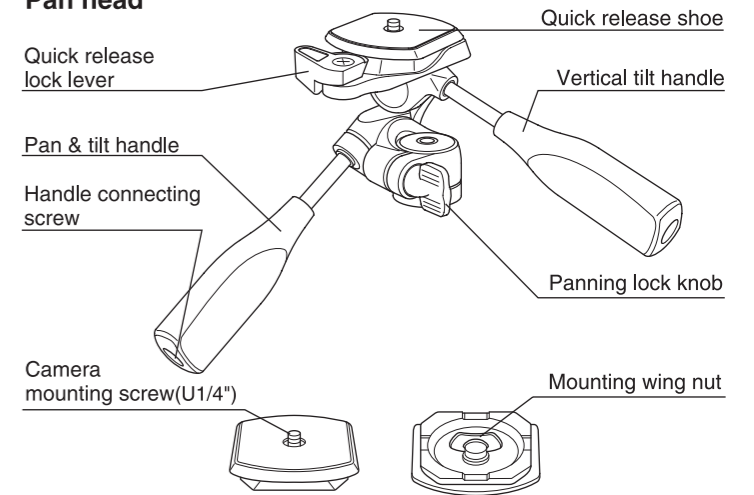


PRO 330DX, PRO 330DX-B

⚠ Caution

- ※Soft grip is consumables. Replace when it is worn out.
- ※Color of the soft grip can be stained. Keep out from objects.

Pan head



PRO 340DX, PRO 340DX-B

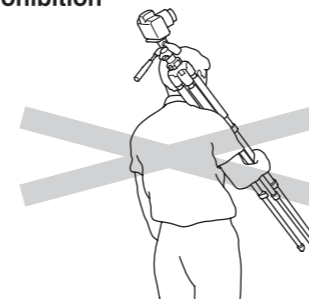
Equipment that can be loaded on this tripod

🚫 Prohibition

This product has been designed to handle equipment weighing under 3 kgs (6.6 lbs). Do not overload. Some equipment weighing over 3 kgs (6.6 lbs), such as long lenses, may not balance well due to its weight distribution. In such case, please use a larger tripod.

Carrying the tripod

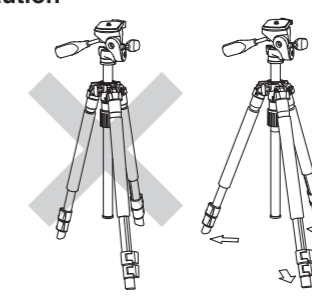
🚫 Prohibition



Carrying a tripod with a camera left on can result in unexpected accidents. We therefore, recommend you to remove your camera while carrying the tripod.

Setting up

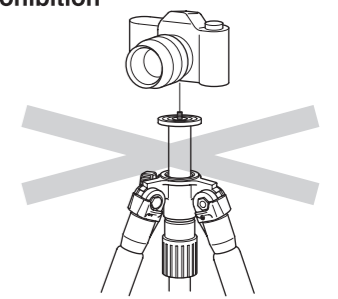
⚠ Caution



To prevent accidental equipment fall or tripod tipping over, making sure all levers, knobs and handles on the tripod are securely tightened. And all of the three legs are opened all the way.

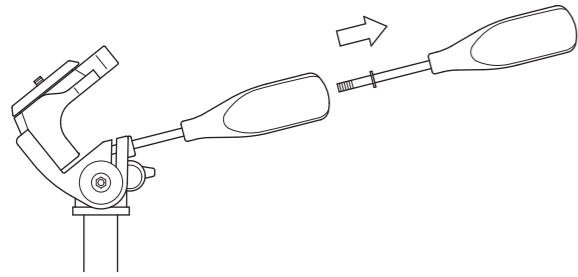
Pan head mounting post

🚫 Prohibition

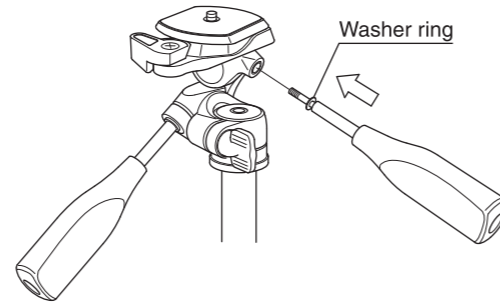


Do not attach a camera directly to the pan head attachment screw. This may damage both your camera and tripod.

Install the vertical tilt handle

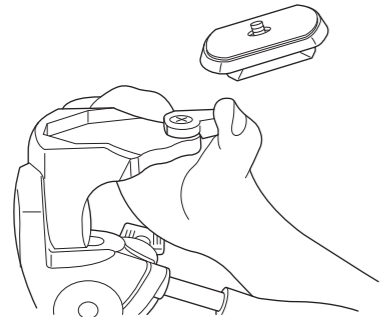


Remove the vertical tilt handle from the back of the pan & tilt handle where it is stored.

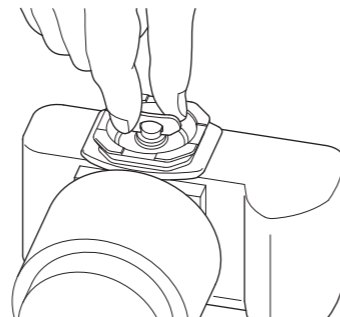


Check to see that there is a washer ring on the shaft of the vertical tilt handle, and then insert the shaft into the threaded hole located on the right side of the pan head. Screw handle all the way in until secure.

Attaching the camera to the quick release shoe

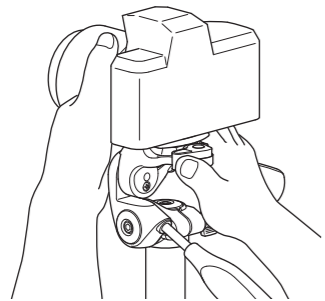


To remove the quick release shoe from the pan head, turn quick release lock lever and lift out platform from its back.

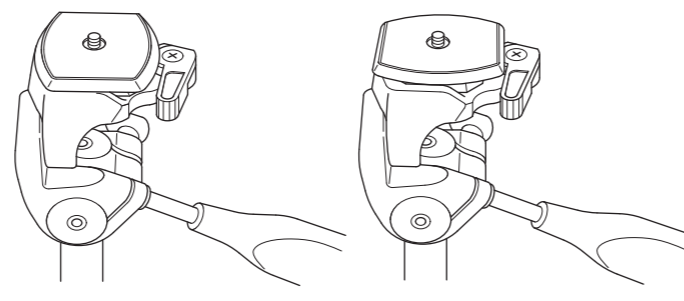


Align the length of the platform along the base of the camera body, and securely tighten the mounting wing nut.

Caution

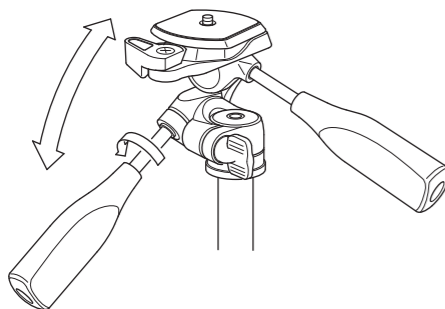


When attaching the camera to the pan head, check to make sure that the quick release shoe is engaged in the catch of the pan head before locking the lever.

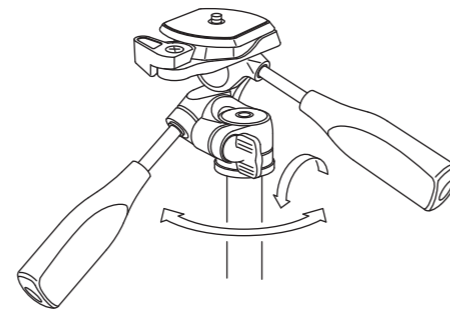


The quick release shoe can be attached to the camera body in either directions (along the length, or along the width). This feature facilitates your camera set up into the vertical position, simply by the turn of one of the tilt handles.

Using the pan head

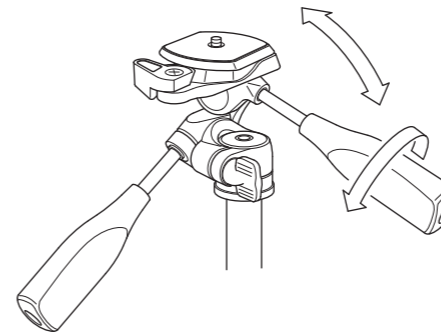


Loosen the pan & tilt handle, and the head will tilt back and forth.



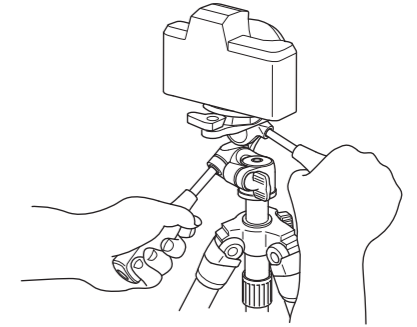
Loosen the panning lock knob, and the head will rotate along the horizontal direction.

Using the pan head (Continued)



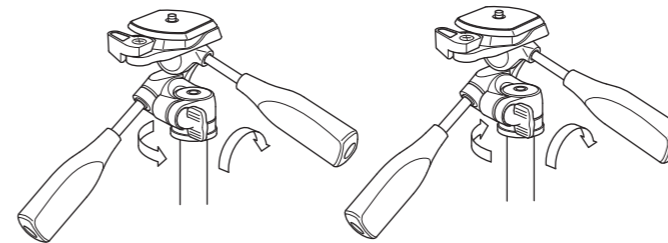
Loosen the Vertical tilt handle, and the level can be adjusted.

Caution



When loosening either the pan & tilt handle, or the vertical tilt handle, take precaution by keeping a firm grip on the handle until the pan head is locked down.

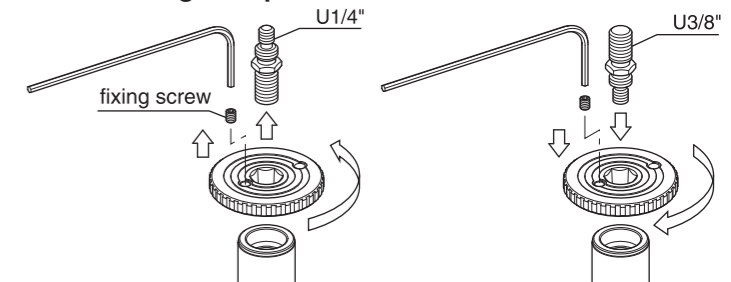
Removing the head from the center column



Use the following instructions if you wish to change heads, or attach accessories. First, lock the panning lock knob, then grasp the pan, or vertical tilt handle and turn the head, counter-clockwise to loosen.

Set the new head, or accessory on the tripod's threaded post, and turn clockwise until it comes to a stop. Tighten the panning lock knob and turn clockwise slightly more.

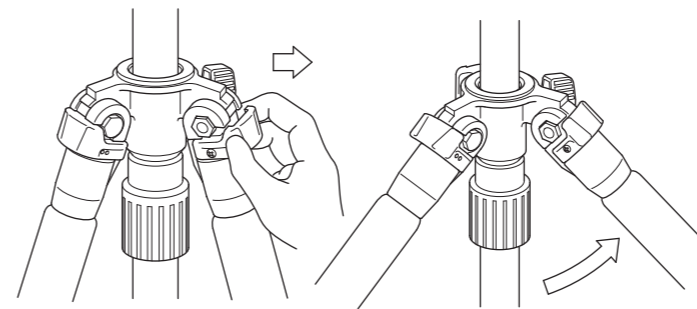
How to change the panhead attachment screw



To change the U3/8" screw, loosen the fixing screw with an allen wrench (2.5mm width) and rotate the center column plate to remove from the center column. Then push out the panhead attachment screw from the bottom.

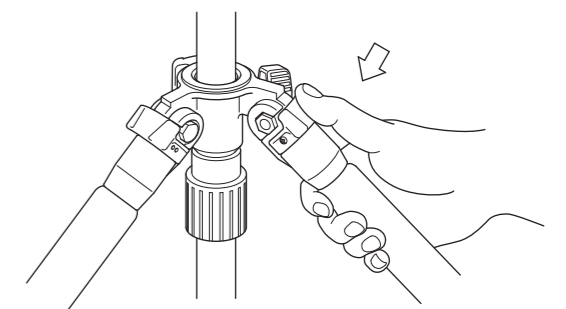
Flip the panhead attachment screw and put back to the center column plate. Screw in the center column plate and the panhead attachment screw. Tighten the fixing screw to avoid the rotating the center column plate while in use.

Three position adjustable legs



To change the angle of each leg, close the leg slightly, and then pull the leg angle adjustment lock out. There is a choice of two other angle positions.

Caution

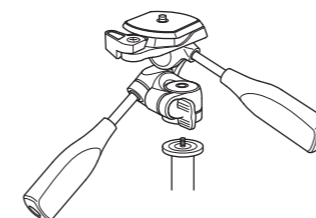


After choosing the desired leg angle, securely push in the adjustment lock.

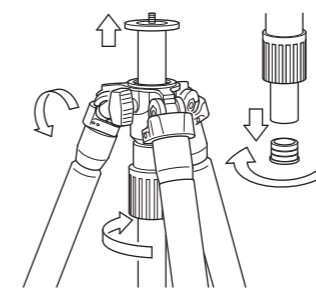
Using the pan head

Inverting the center column

Caution

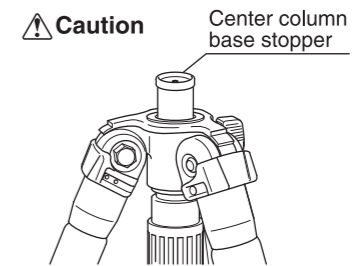


Remove the pan head when inverting or replacing the center column.

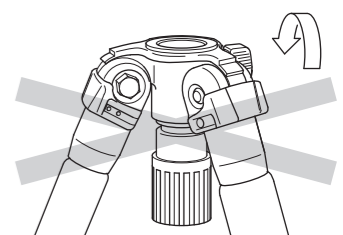


Remove the center column base stopper from the bottom of the center column. Loosen the center column stopper and the locking collar, and then pull out the center column.

Caution



Insert the new replacement center column through the top, and tighten the locking collar. Always be sure to return the center column base stopper back on the bottom of the center column, as this prevents the center column from being accidentally pulled out.



Please do not turn the center column stopper without a center column &/or an optional short center column. The internal parts may be damaged.