

## Operating Instructions

Thank you very much for choosing SLIK Pan head. SLIK Corporation has designed your pan head to be a sturdy, rugged, dependable product that will provide you with many years of satisfactory use. Please take a few moments to read this operating instruction carefully before use so that you can take full advantage of your Pan head's many fine features.

Retain this operating instruction in case you might want to refer back to it.

### ⚠ Caution

This caution icon refers to information pertaining to important safety procedures in preventing injuries, or damages which may occur as a result of mishandling this product.

### 🚫 Prohibition

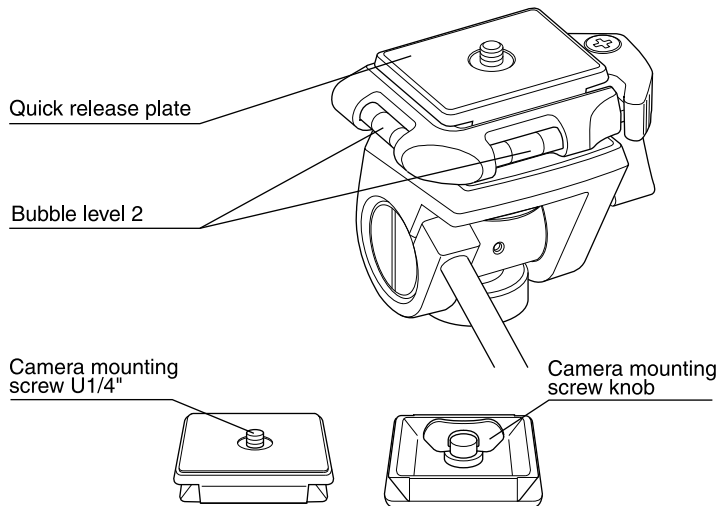
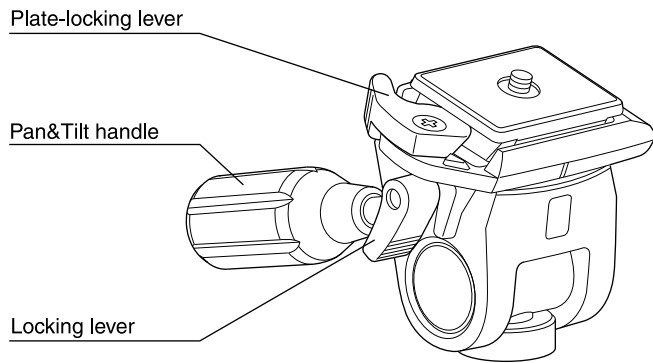
This prohibited icon refers to information pertaining to prohibited contents. Please refer to instructions closely to avoid accidents.

## Specification

Height	81mm (3 1/5")
Weight	470g (1 lbs 5/8oz)
Camera mounting screw	U1/4
Tripod attachment	(1/4" &/or 3/8") female screw

E742

## Components



## Equipment that can be used with this Tripod

This product has been designed to handle equipment weighing under 2 kgs (4 lbs 6 oz).

Do not overload.

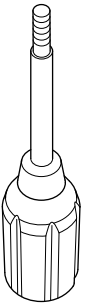
Some equipment weighing over 2 kgs (4 lbs 6 oz), such as long lenses, may not balance well due to its weight distribution.

In such case, please use a larger tripod.

## Optional Accessory

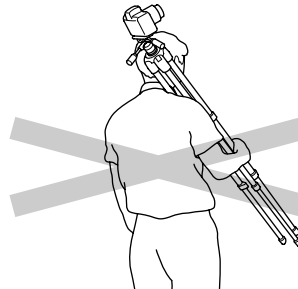
Long Pan Handle  
Cat. No. 618-797  
Length 7.95in. (202mm)

this accessory pan handle is 2.75in. (70mm) longer than the included pan handle for easier movements with spotting scopes and binoculars.



## Carrying the tripod

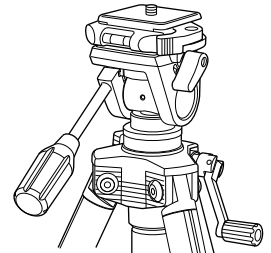
### 🚫 Prohibition



Carrying a tripod with a camera left on can result in unexpected accidents. We therefore, recommend you to remove your camera while carrying the tripod.

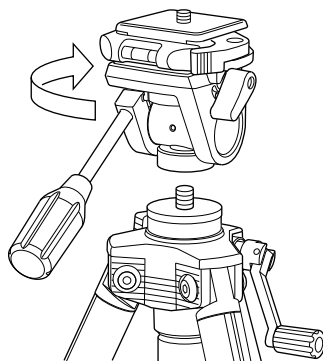
## Setting up

### ⚠ Caution

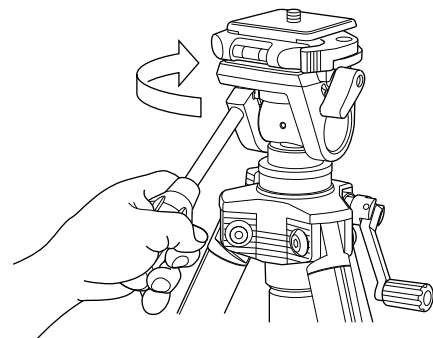


Prevent accidental equipment fall, or tripod tipping over, by making sure all levers, knobs, and handles on the tripod are securely tightened, and that all three legs are opened all the way.

## How to attach to a tripod

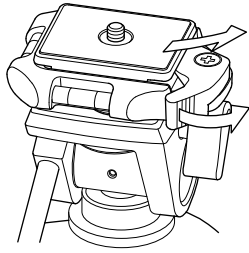


Set the head on the tripod's threaded post. Turn clockwise until it comes to a stop.

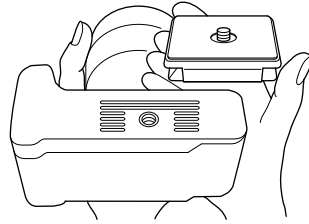


Tighten the pan & tilt handle and turn clockwise slightly more.

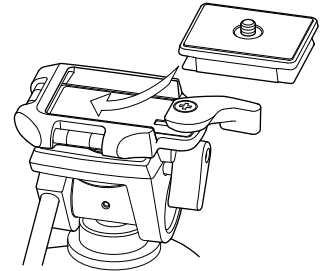
## Attaching a camera



Remove the Quick Release Platform turning the Lock lever. In this case, please do not put the Lock Lever back by force as it has been stood by the Stopper.

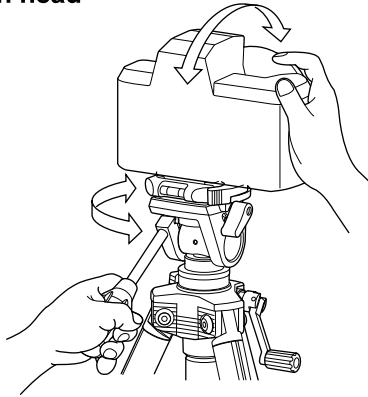


Insert the Camera Mounting Screw of the Plate in the place of the tripod attachment screw of your camera.  
Turn the Camera Mounting Screw Knob and fix firmly.

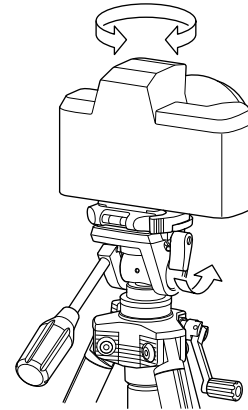


Attach the plate slid aslant from a Plate-Locking Lever side.  
If it attaches, although closed automatically, a Plate-Locking Lever is further fastened to a lever fixation-side, and is certainly fixed.

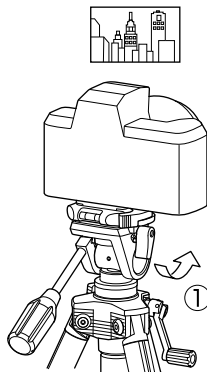
## Using the pan head



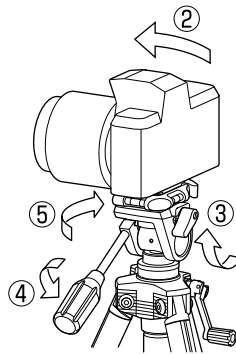
When you unlock the handle, your camera is free to move up and down.  
When the pan & tilt handle is unlocked, you can pan & tilt simultaneously.



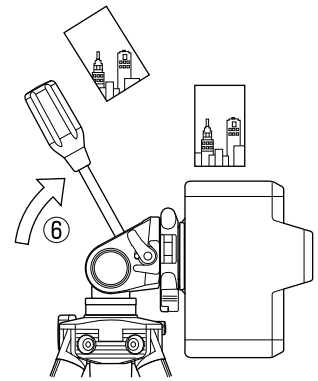
When you unlock the Camera platform locking knob, raise the knob it to the vertical "release" position. The camera can be free to rotate.



1. Loosen camera platform locking knob.



2. Turn your camera to the side.  
3. Tighten camera platform locking knob.  
4. Loosen pan & tilt handle for your camera to the front.  
5. Turn the whole of pan & tilt handle.



6. Adjust pan & tilt handle to get vertical position.

## Care of the Tripod

- DO NOT apply any grease or oil to this product.
- Clean with a mild detergent and a soft cloth only.
- DO NOT use close to flame. Avoid extreme heat.



Slik Corporation reserves the right to make changes in design and/or improvements on the products without any obligation and advanced notice.

SLIK CORPORATION

853 Kayama, Hidaka City, Saitama 350-1231 Japan Phone 81-42-989-2141, Fax. 81-42-985-0210 ©2006

Printed in Thailand