

SLIK®

Operating Instructions

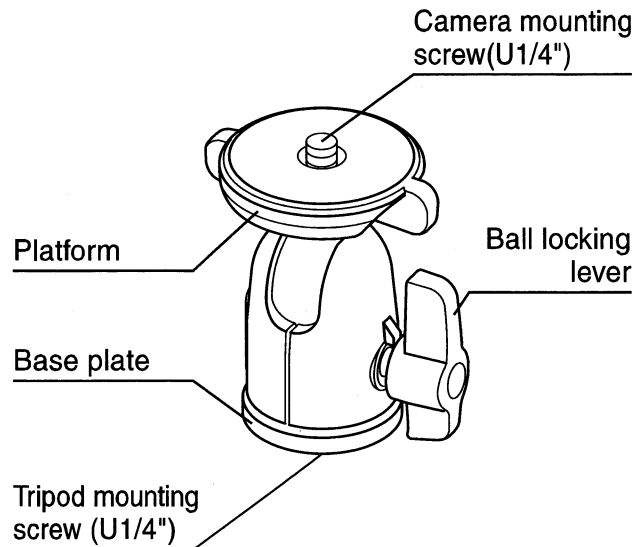
SBH-60 , SBH-100

Thank you very much for choosing SLIK product. SLIK Corporation has designed to be a sturdy, rugged, dependable product that will provide you with many years of satisfactory use. Please take a few moments to read this operating instruction carefully before use so that you can take full advantage of many fine features. Retain this operating instruction in case you might want to refer back to it.

⚠ Caution This caution icon refers to information pertaining to important safety procedures in preventing injuries, or damages which may occur as a result of mishandling this product.

🚫 Prohibition This prohibited icon refers to information pertaining to prohibited contents. Please refer to instructions closely to avoid accidents.

Components



Specification

SBH-60

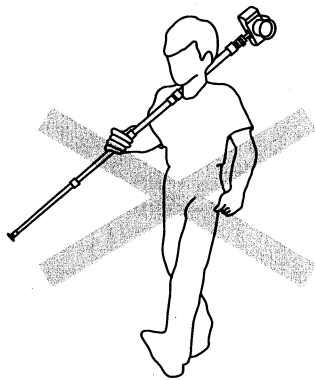
Height	47 mm
Weight	48 g
Tripod mounting screw	U1/4"
Camera mounting screw	U1/4"

SBH-100

Height	62 mm
Weight	100 g
Tripod mounting screw	U1/4"
Camera mounting screw	U1/4"

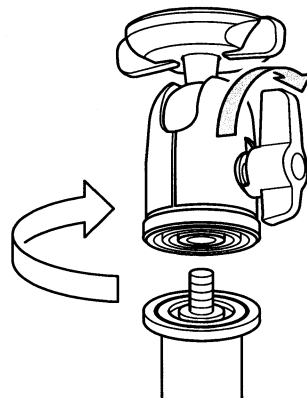
Carrying the tripod

🚫 Prohibition



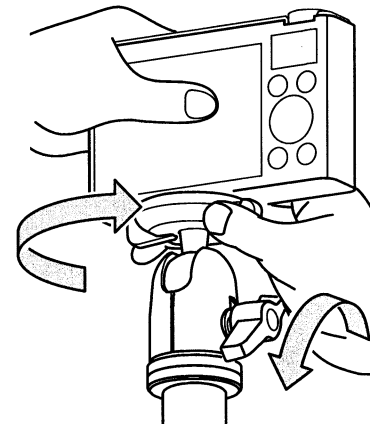
Carrying a tripod with a camera left on can result in unexpected accidents. We therefore, recommend you to remove your camera while carrying the tripod.

Attaching to the tripod



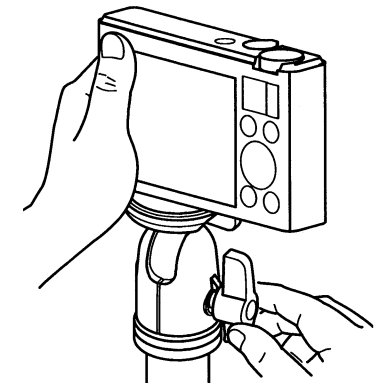
Fasten the ball locking lever and screw into a tripod mounting screw.

Attaching a camera



Loosen the ball locking lever. Having a camera, rotate the camera platform and fix it firmly.

Operation



A camera can be moved freely while the ball locking lever is loosened. Tighten the ball locking lever when a camera angle is determined.