

Operating Instructions

Thank you very much for choosing SLIK MINI PRO 7 Tripod. SLIK Corporation has designed your pan head to be a sturdy, rugged, dependable product that will provide you with many years of satisfactory use.

Please take a few moments to read this operating instructions carefully before use so that you can take full advantage of your Tripod's many fine features. Retain this operating instruction in case you might want to refer back to it.

⚠ Caution

This caution icon refers to information pertaining to important safety procedures in preventing injuries, or damages which may occur as a result of mishandling this product.

🚫 Prohibition

This prohibited icon refers to information pertaining to prohibited contents. Please refer to instructions closely to avoid accidents.

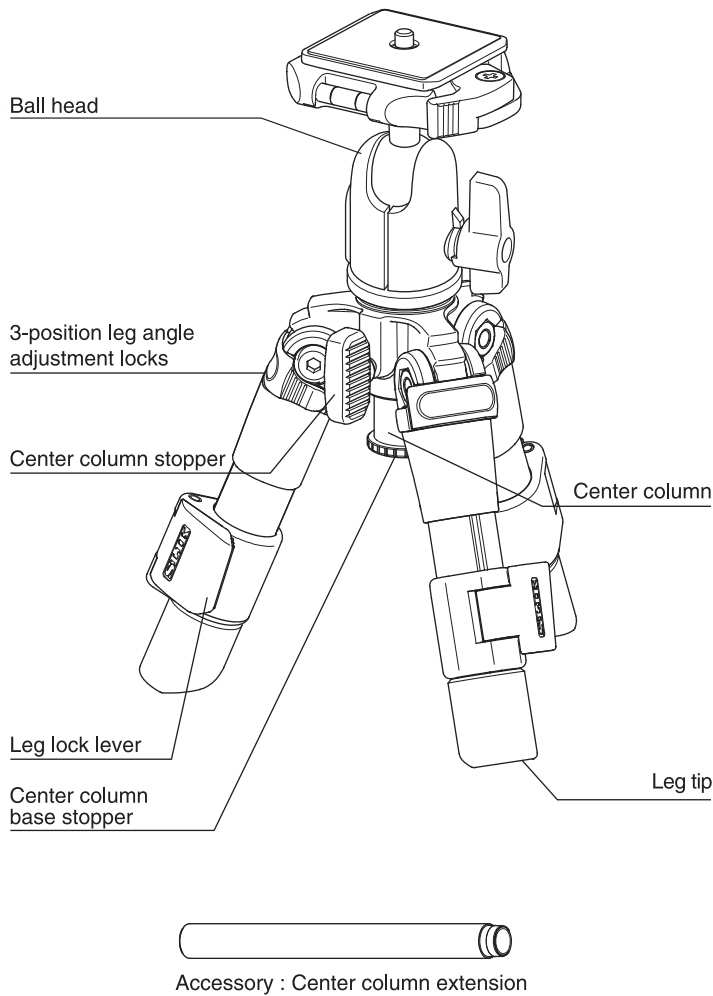
Specification

Folded length	195mm (7.7in)
Max. operating height	260mm (※450mm) (10.2 in) (※17.7in)
Max. center column ext.	15mm (0.5in)
Weight	540g (1.2lbs)
	(※With center column extension)

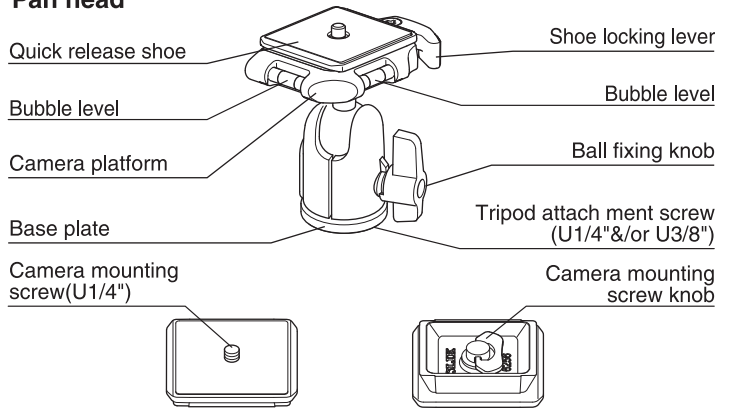
With exclusive case

R251

Components



Pan head

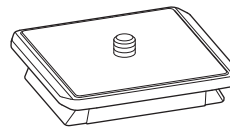


⚠ Caution

※Leveler on the tripod head is a rough criterion. It is not accurate as a leveler on a camera.

Options

6256N Quick release shoe
Cat. No. 618-814



Equipment that can be used with this product

🚫 Prohibition

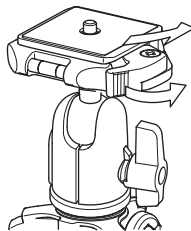
This product has been designed to handle equipment weighing under 2 kgs (4.41 lbs). Do not overload. Some equipments weighing under 2 kgs (4.41 lbs), such as long lenses, may not balance well due to its weight distribution. In such case, please use a larger tripod.

Setting up

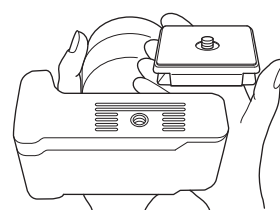
⚠ Caution

To prevent accidental equipment fall or tripod tipping over, making sure all levers, knobs and handles on the tripod are securely tightened. And all of the three legs are opened all the way.

Attaching a camera

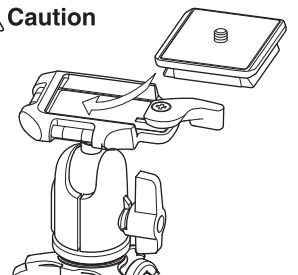


To remove the quick release shoe, turn the quick release shoe locking lever. In this case, do not put the lock lever back by force as it has been stood by the stopper.



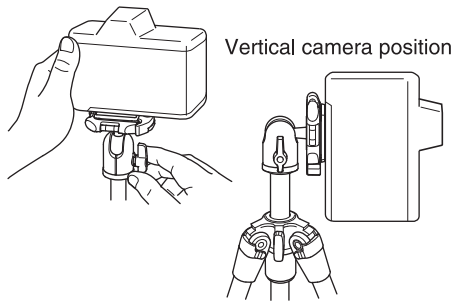
Insert the camera mounting screw of the shoe in the place of the tripod attachment screw of your camera. Turn the camera mounting screw knob and fix firmly.

⚠ Caution



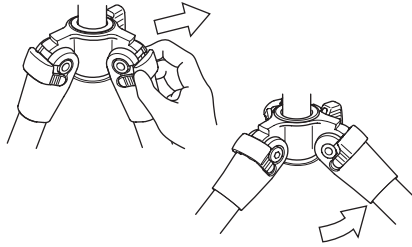
Attach the quick release shoe slid aslant from a shoe locking lever side. When it attaches, although closed automatically, a shoe locking lever is further fastened to a lever fixation-side to be fixed firmly.

Using ball head



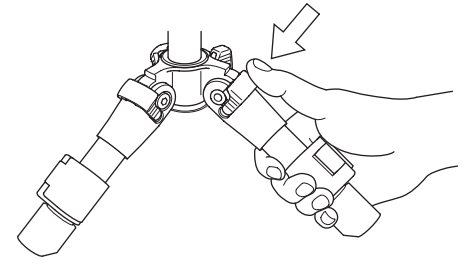
A camera can be moved freely while the ball fixing knob is loosened. Tighten the ball fixing knob when a camera angle is determined.

Three position adjustable legs



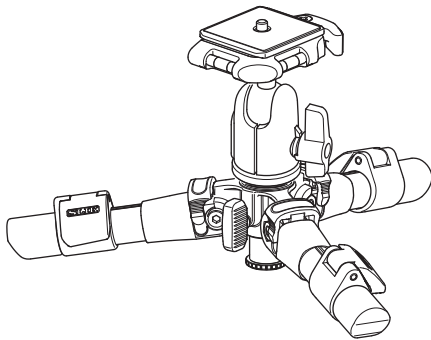
To change the angle of each leg, close the leg slightly. Then pull the 3-position leg angle adjustment locks. There is a choice of two other angle positions.

⚠ Caution

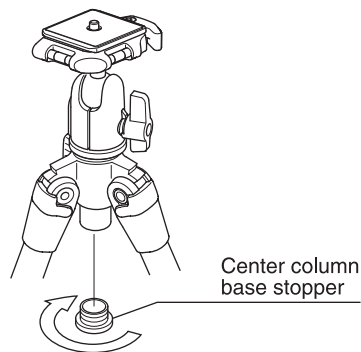


After choosing the desired leg angle, securely push the adjustment lock.

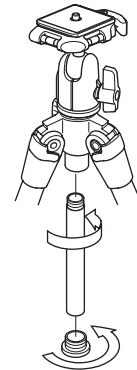
Attaching the center column extension



You can get lower height as shown the above.

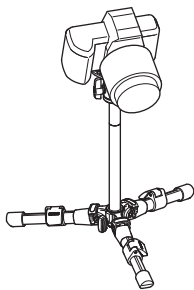


Remove the center column base stopper.



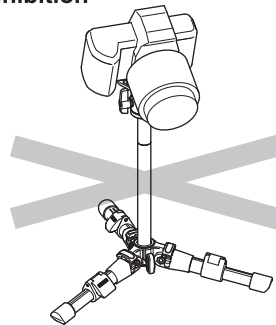
Attach the center column extension. Make sure to attach the center column base stopper at the bottom of the center column extension.

⚠ Caution



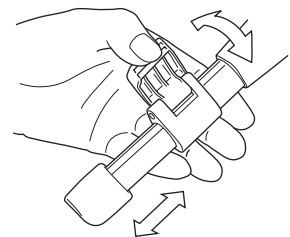
When the center column extension is used, set the leg low position and match the same direction for the camera and one of the leg to make the tripod balanced well. In case the tripod cannot make a stability with the center column extension, remove the center column extension from the tripod to avoid tipping over.

⊘ Prohibition



Do not set the camera towards to the between tripod legs. This setting makes the tripod unstable and may be tipping over.

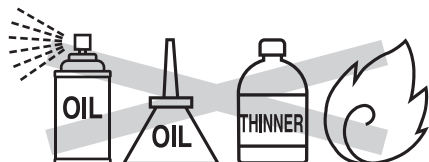
Extending/Folding of tripod legs



Flip up the leg lock lever to extend or shorten any of the individual leg sections to the desired length. Press the leg lock lever flush against the leg to lock.

Care of the tripod

- DO NOT apply any grease or oil to this product.
- Clean with a mild detergent and a soft cloth only.
- DO NOT use close to flame. Avoid extreme heat.



Slik Corporation reserves the right to make changes in design and/or improvements on the products without any obligation and advanced notice.

SLIK CORPORATION

853 Kayama, Hidaka City, Saitama 350-1231, Japan Phone 81-42-989-2141, Fax. 81-42-985-0210 ©2014