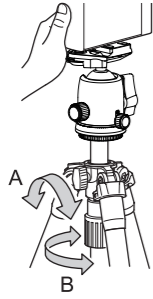
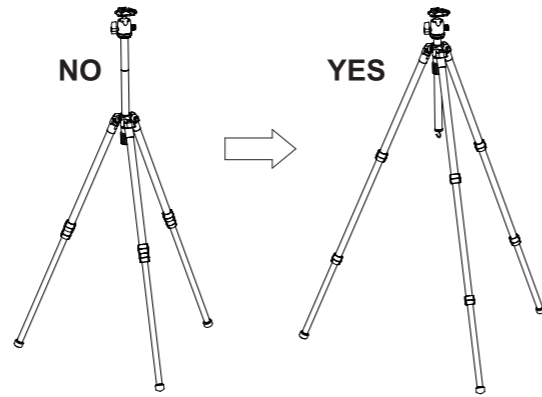


Operating the center column

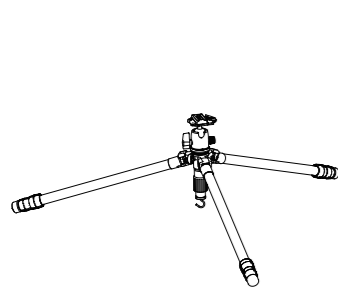


A - Screw-type
Center column stopper is used to lock or unlock center column.
B - Twist-type
Center column locking nut is used to adjust a tension of the movement.
The both of A and B must be locked for fixing center column.

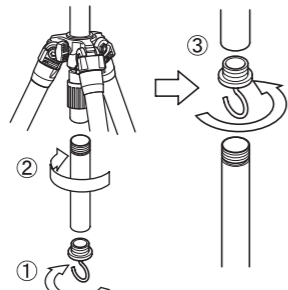


To avoid unnecessary camera vibrations, try to keep the center column height to a minimum.
Also use the larger legs first when extending the legs.

Low position



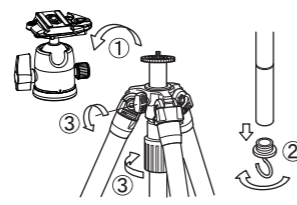
You can get lower height.



Remove the center column base stopper.
Then remove the lower part of center column.
Put the center column base stopper in to the upper part of center column.

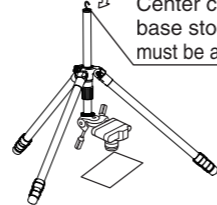
Inverting the center column

Caution



① Remove the pan head.
② Remove the center column base stopper turning to the direction of arrow.
③ Loosen the center column stopper and the center column locking nut, and then pull out the center column.

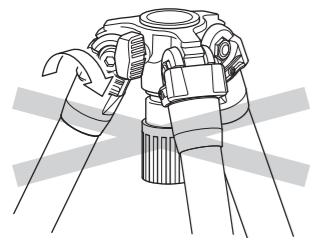
Caution



Center column base stopper must be attached.

Insert the center column from the lower side of main body. Tighten the center column locking nut and the center column stopper.
Make sure to re-attach the center column base stopper in order to prevent the center column from falling out accidentally.

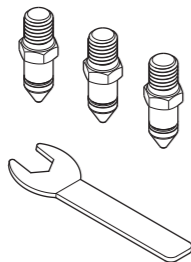
Prohibition



Do not turn the center column stopper while pulling out the center column.
The internal parts may be damaged.

Optional Accessory

SPIKE SET
Cat. NO.618-411



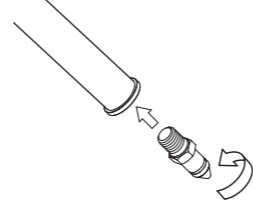
How to change the leg tips



The leg tips can be converted to the spike leg tips. (sold separately)
To remove the rubber leg tip, hold the leg pipe tightly and loosen the rubber leg tip.

Prohibition

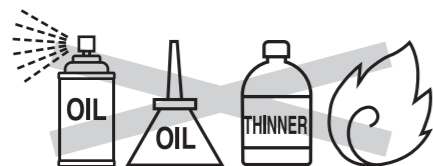
If you hold the leg pipe other than the lowest part, the leg pipe may be damaged.
Always use the attached wrench for the conversion. The pipe may be damaged.



Screw the spike leg tip into the leg pipe by finger tips until it comes stop.
Then the spike leg tip must be tightened up with the wrench (comes with SPIKE SET).

Care of the product

- DO NOT apply any grease or oil to this product.
- Clean with a mild detergent and a soft cloth only.
- DO NOT use close to flame. Avoid extreme heat.



Slik Corporation reserves the right to make changes in design and/or improvements on the products without any obligation and advanced notice.

SLIK CORPORATION
853 Kayama, Hidaka City, Saitama 350-1231, Japan Phone 81-42-989-2141, Fax. 81-42-985-0210 ©2018

SLIK®

PRO CF-833BH6 , PRO CF-834BH6 PRO CF-733BH5 , PRO CF-734BH5

Specification

PRO CF-833BH6	Folded length	686mm(27.1 in)
	Max. operating height	1,812mm(71.3 in)
	Max. center column ext.	325mm(12.7 in)
	Weight	2,030g(4.48 lbs)
PRO CF-834BH6	Folded length	566mm(22.3 in)
	Max. operating height	1,752mm(68.9 in)
	Max. center column ext.	325mm(12.7 in)
	Weight	2,040g(4.50 lbs)
PRO CF-733BH5	Folded length	657mm(25.9 in)
	Max. operating height	1,772mm(69.7 in)
	Max. center column ext.	355mm(13.9 in)
	Weight	1,710g(3.77 lbs)
PRO CF-734BH5	Folded length	557mm(22.0 in)
	Max. operating height	1,747mm(68.7 in)
	Max. center column ext.	325mm(12.7 in)
	Weight	1,730g(3.82 lbs)

With exclusive case

Operating Instructions

Thank you very much for choosing SLIK product.
SLIK Corporation has designed to be a sturdy, rugged, dependable product that will provide you with many years of satisfactory use.
Please take a few moments to read this operating instruction carefully before use so that you can take full advantage of many fine features.
Retain this operating instruction in case you might want to refer back to it.

Caution

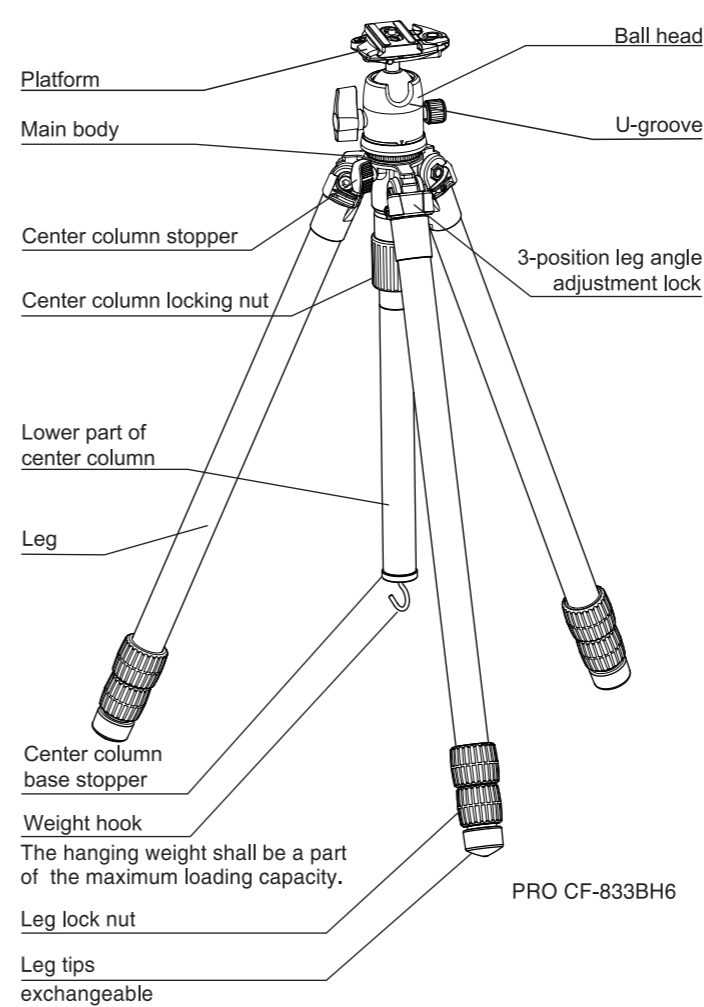
This caution icon refers to information pertaining to important safety procedures in preventing injuries, or damages which may occur as a result of mishandling this product.

Prohibition

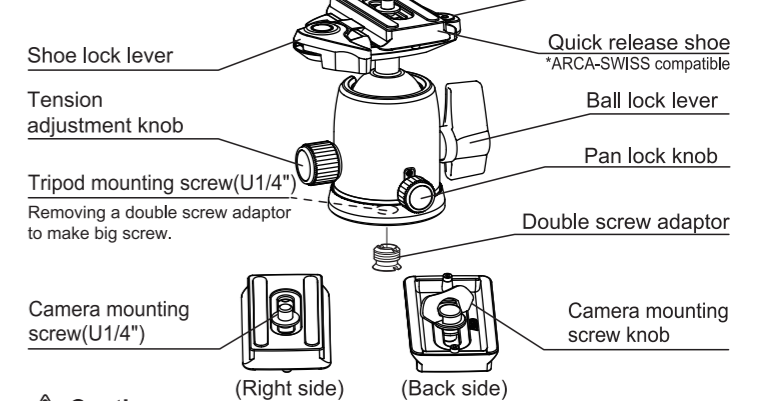
This prohibited icon refers to information pertaining to prohibited contents.
Please refer to instructions closely to avoid accidents.

S118

Components



Ball head



Caution

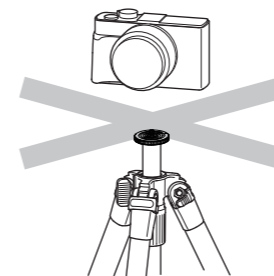
*Bubble level on the tripod head is a rough criterion.
It is not accurate as a leveler on a camera.

Equipment that can be loaded on this product

Maximum loading capacity:	
PRO CF-833BH6	:6kg
PRO CF-834BH6	:6kg
PRO CF-733BH5	:5kg
PRO CF-734BH5	:5kg
Do not exceed the specified loading capacity.	

Pan head mounting post

Prohibition



Do not attach a camera directly to the pan head attachment screw.
This may damage both your camera and tripod.

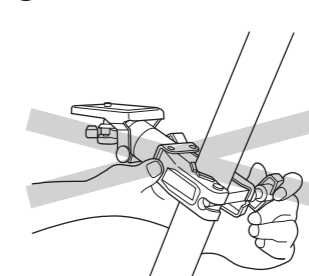
In case of the shock given to tripod by force

Caution

When the shock has been given to the tripods &/or legs such as falling down please check well whether there are cracks, flaws, etc. on the pipes, or not. When you find any cracks, flaws, etc. on the pipes, please stop to use it and ask to repair. It may be wounded when some of fibers came out from the pipes. In that case, please do not touch it.

Clamp head

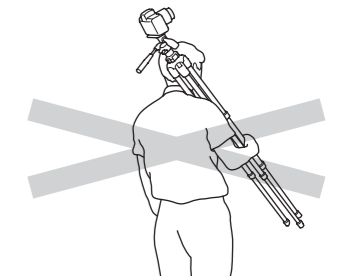
Prohibition



Do not use an optional Clamp head for a carbon fiber tripod. The pipe may be damaged.

Carrying the tripod

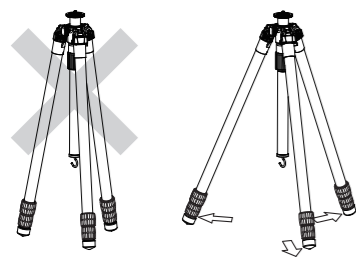
Prohibition



Carrying a tripod with a camera left on can result in unexpected accidents. We therefore, recommend you to remove your camera while carrying the tripod.

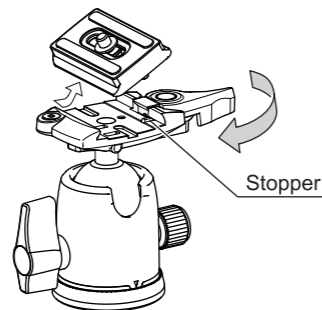
Setting up

⚠ Caution

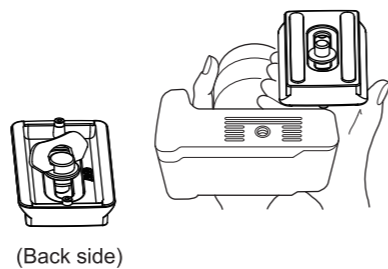


To prevent accidental equipment fall or tripod tipping over, making sure all levers, knobs and handles on the tripod are securely tightened. And all of the three legs are opened all the way.

Attaching the camera to the quick release shoe

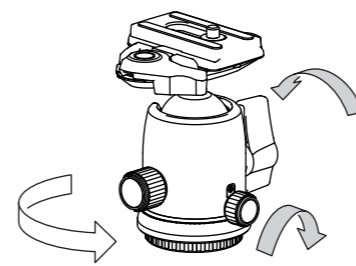


Remove the quick release shoe. Do not put the lock lever back by force as it has been stood by the stopper.



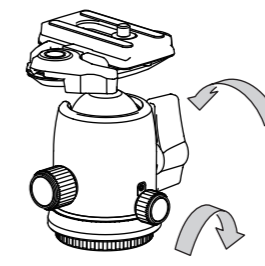
Screw the camera mounting screw on the tripod attachment screw of your camera and fix firmly.

Removing head from the center column

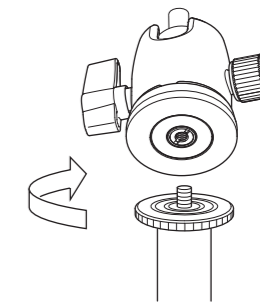


Tighten the ball lock lever and pan lock knob. Turn the head counter-clockwise to loosen.

How to attach a tripod column

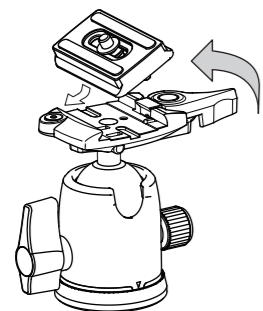


Tighten the ball lock lever and pan lock knob. When a tripod mounting screw is U3/8", screw in the double screw adaptor.



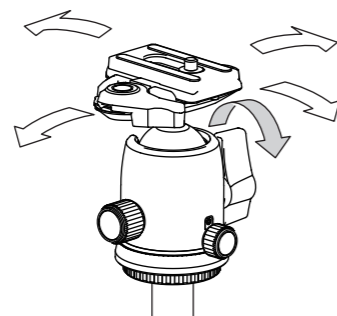
Fasten the ball lock lever and screw into a tripod mounting screw.

⚠ Caution

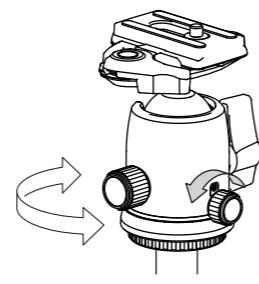


To reattach the shoe, slide it in from the shoe lock lever side. If it attaches, the shoe lock lever closes automatically. Push the lock lever more to make sure the camera shoe is locked completely.

Adjusting an angle

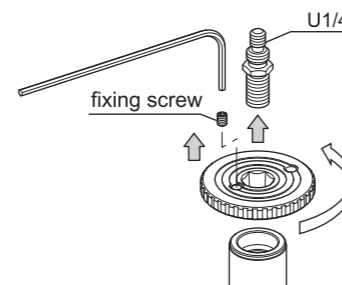


The platform can be moved freely while ball lock lever is loosened. Tighten the ball lock lever when a camera angle is determined.

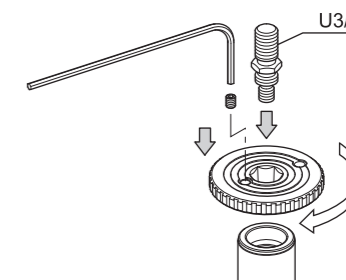


When the pan lock knob is loosened, the tripod head is rotated horizontally.

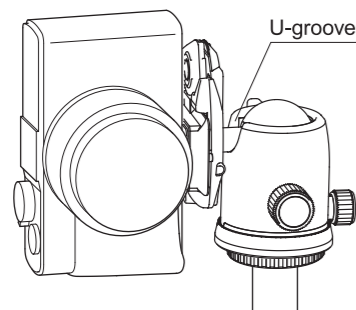
How to change the pan head attachment screw



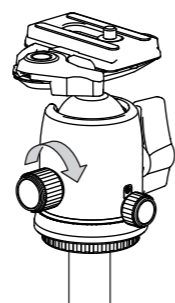
To change the U3/8" screw, loosen the fixing screw with an allen wrench (2.5mm width) and rotate the center column plate to remove from the center column. Then push out the pan head attachment screw from the bottom.



Flip the pan head attachment screw and put back to the center column plate. Screw in the center column plate and the pan head attachment screw. Tighten the fixing screw to avoid the rotating the center column plate while in use.

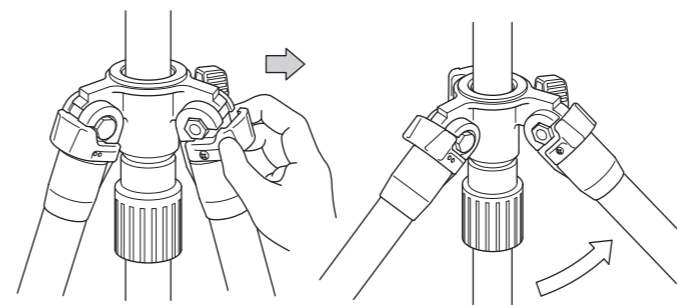


To set vertical camera position, place the platform into U-groove.



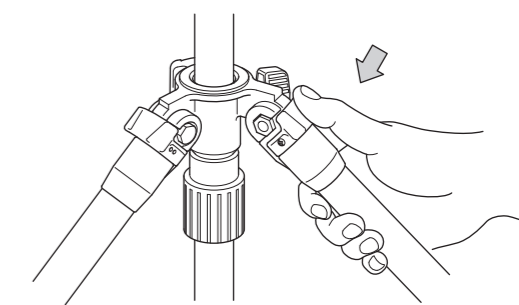
A friction is adjusted by the tension adjustment knob only when the ball lock lever is loosened.

Three position adjustable legs



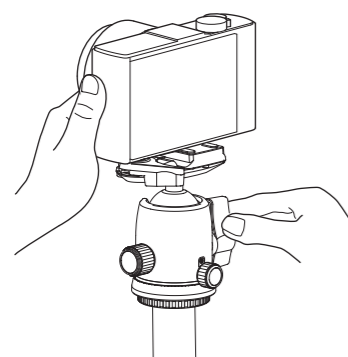
To change the angle of each leg, close the leg slightly, and then pull the leg angle adjustment lock out. There is a choice of two other angle positions.

⚠ Caution



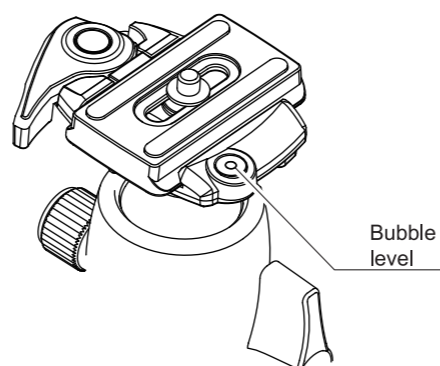
After choosing the desired leg angle, securely push in the adjustment lock.

⚠ Caution



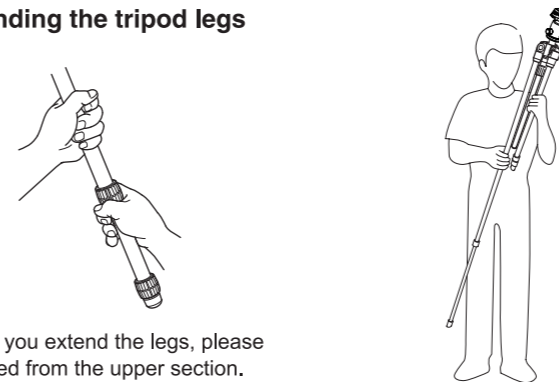
To loosen the ball lock lever with a camera on can result an unexpected fall. Hold a camera firmly until the ball lock lever is tightened.

Bubble level



Adjust the bubble level to fit into center. The bubble level is a rough criterion. It is not accurate as a leveler on a camera.

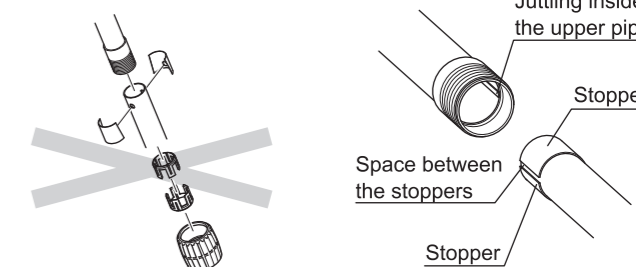
Extending the tripod legs



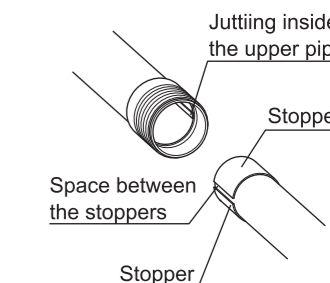
When you extend the legs, please proceed from the upper section. When you fold the legs, please proceed from the lower section. It will be steady to grip the upper part of pipe just above the lock nut.

It is easier to extend the tripod legs if you turn the leg-tips to the foot, while leaving legs close.

⊘ Prohibition



Do not remove the nut and take out pieces. If it has been removed, insert the pieces as per the above specification.



Match the space between the stoppers and jutting inside the upper pipe when the pipe is connecting.