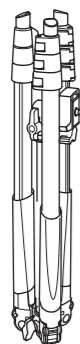
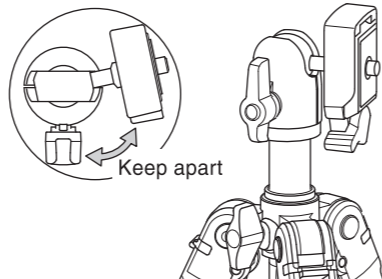


## Storing



Flip the legs up for storing the tripod in the most compact position.

Shown from above



Place the platform in the vertical position with the shoe locking lever pointing downward toward the base of the ball head. The ball lock lever and the platform should be kept apart for better fit when storing the tripod.

# SLIK® LITE AL Series

## Specification

### LITE AL-420

Max. operating height	1,534mm (60.3in)
Folded length	428mm (16.9in)
Max. center column ext.	225mm (8.8in)
Weight(Including batteries)	1,015g (2.3lbs)

### LITE AL-420M

Max. operating height	1,241mm (48.8in)
Folded length	358mm (14.1in)
Max. center column ext.	171mm (6.7in)
Weight(Including batteries)	930g (2.1lbs)

### LITE AL-420S

Max. operating height	1,014mm (39.9in)
Folded length	310mm (12.3in)
Max. center column ext.	124mm (4.8in)
Weight(Including batteries)	785g (1.8lbs)

With exclusive case

## Operating Instructions

Thank you very much for choosing SLIK product. SLIK Corporation has designed to be a sturdy, rugged, dependable product that will provide you with many years of satisfactory use. Please take a few moments to read this operating instruction carefully before use so that you can take full advantage of many fine features. Retain this operating instruction in case you might want to refer back to it.

### ⚠ Caution

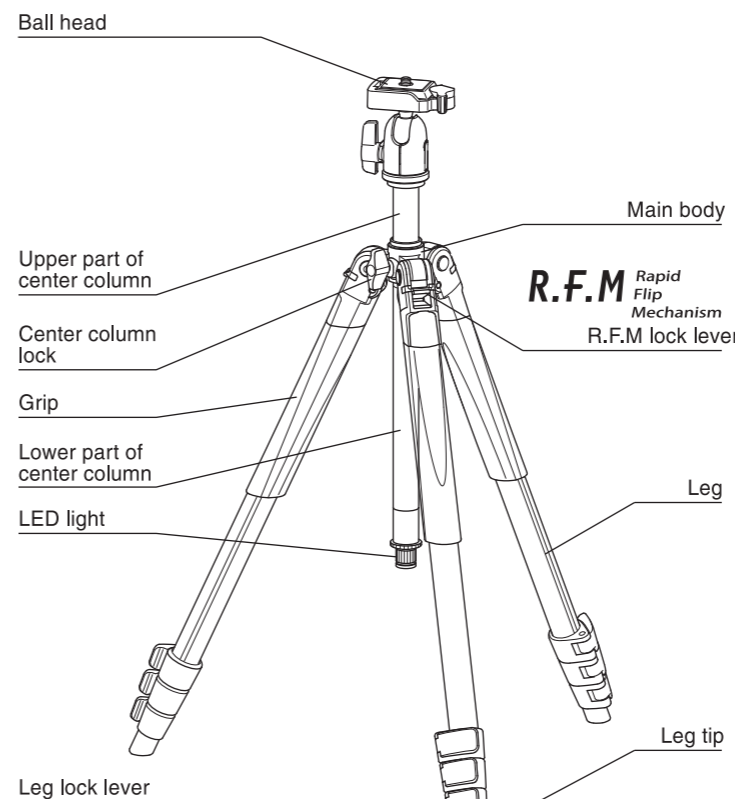
This caution icon refers to information pertaining to important safety procedures in preventing injuries, or damages which may occur as a result of mishandling this product.

### 🚫 Prohibition

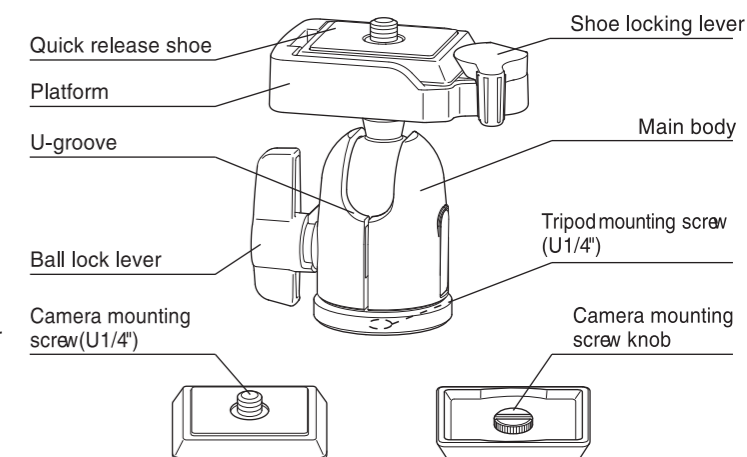
This prohibited icon refers to information pertaining to prohibited contents. Please refer to instructions closely to avoid accidents.

S397-1

## Components

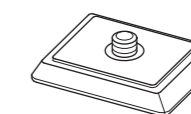


## Ball head



## Optional accessory (Sold separately)

6252 Quick release shoe  
Cat. No. 618-744



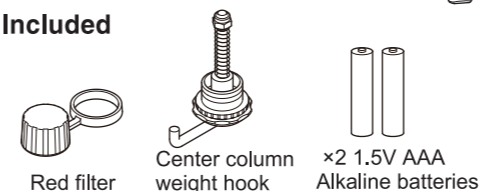
## Equipment that can be loaded on this product

### 🚫 Prohibited

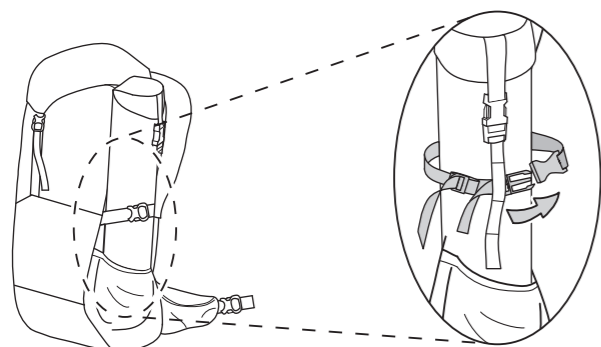
Maximum loading capacity :  
2 kgs (4.4 lbs)

Do not overload. This product has been designed to handle equipment weighing under the maximum load capacity. Some equipment weighing under the maximum load capacity may not balance well due to its weight distribution. Use a larger tripod or head in such case.

## Included



## Exclusive case (Exclude LITE AL-420S)

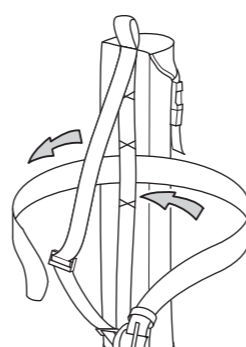


The tripod can fit into a side pocket of a backpack for transportation.

Secure a strap through the top of the tripod case and lock firmly.



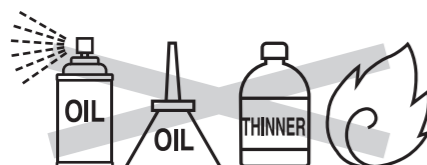
The loop allows the tripod case to be attached a belt.



A belt can be passed through the loop as in the picture.

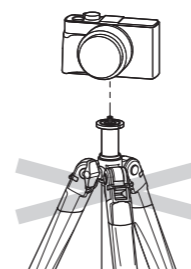
## Care of the product

- DO NOT apply any grease or oil to this product.
- Clean with a mild detergent and a soft cloth only.
- DO NOT use close to flame. Avoid extreme heat.



## Pan head mounting post

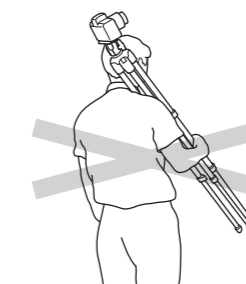
### 🚫 Prohibition



Do not attach a camera directly to the pan head attachment screw. This may damage both your camera and screws.

## Carrying the tripod

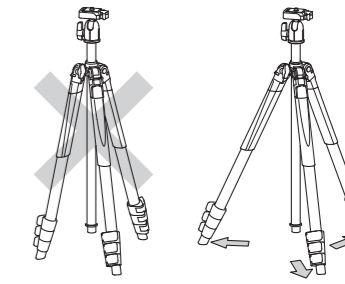
### 🚫 Prohibition



Carrying a tripod with a camera left can result in unexpected accidents. We therefore, recommend you remove your camera while carrying the tripod.

## Setting up

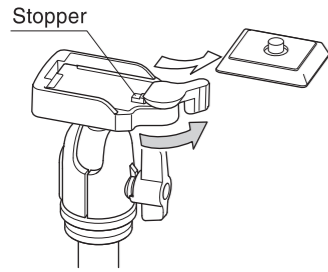
### ⚠ Caution



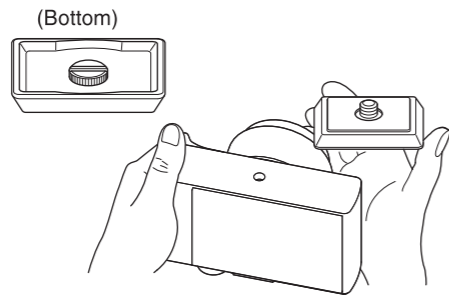
To prevent accidental falling tripod tipping over, making sure all levers, knobs and handles on the tripod are securely tightened. And all of the three legs are opened all the way.

Slik Corporation reserves the right to make changes in design and/or improvements on the products without any obligation and advanced notice.

### Attaching the camera to the quick release shoe

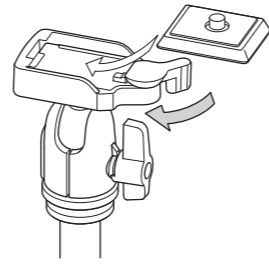


Remove the quick release shoe by turning the shoelocking lever to release. In this case, please do not put the lock lever back force as it has been held by the stopper.



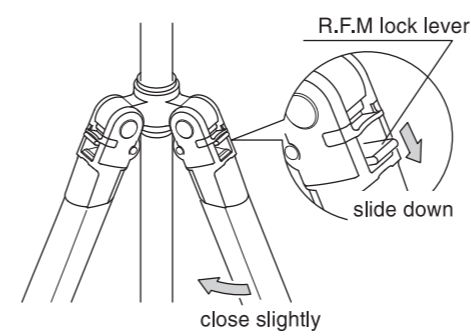
Screw the camera mounting screw into the tripod socket of your camera until secure.

### Caution

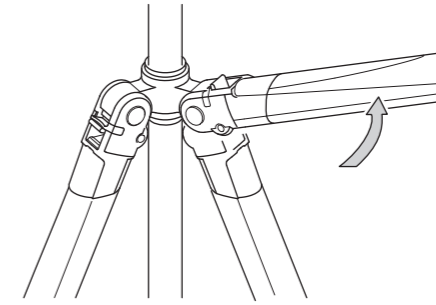


To reattach the shoe, slide it in from the shoe locking lever side. If it attaches, the shoe lock lever closes automatically. Push the lock lever more to make sure the camera shoe is locked completely.

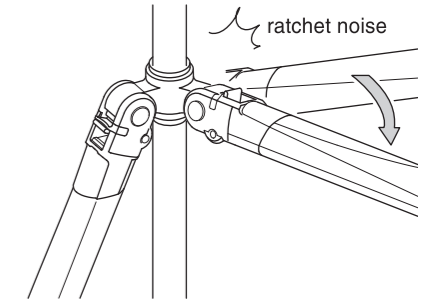
### R.F.M Three position adjustable legs



Close the leg slightly and slide the R.F.M lock lever down.

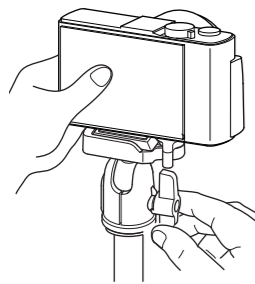


Move the leg up over the horizontal position.

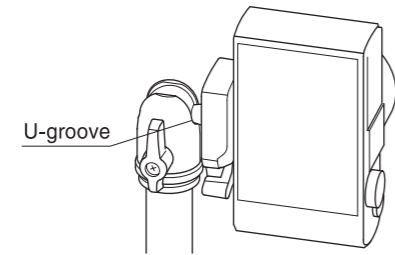


Move down the leg slowly, it will make a ratchet noise at a certain point. This position is the low position.

### Using the ball head

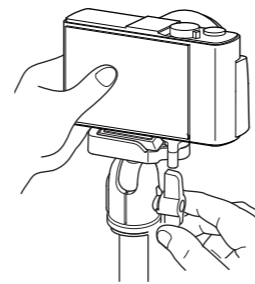


A camera can be moved freely while the ball lock lever is loosened. Tighten the ball lock lever when a camera angle is determined.

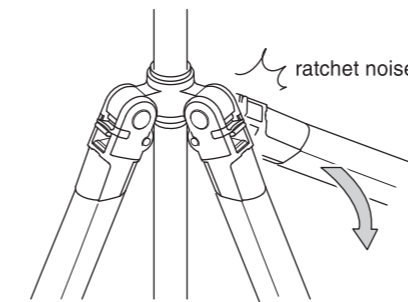


To set the camera in the vertical camera position, place the platform into U-groove.

### Caution

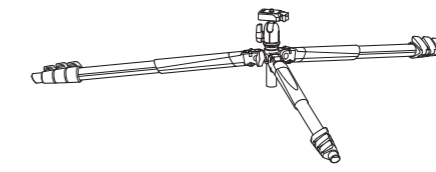


Make sure to hold your camera while operating the ball lock lever.



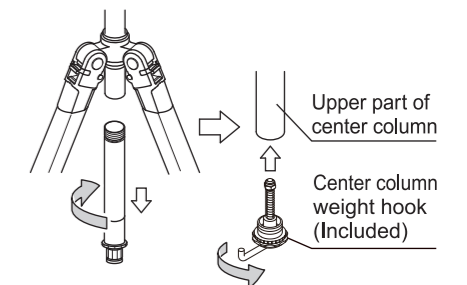
Close the leg further, a middle position or regular leg position can be chosen.

### Low position



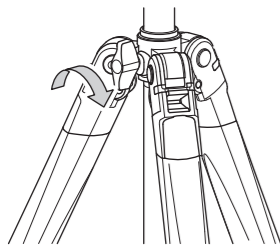
Remove the lower part of the center column when setting the legs in the lowest position.

### Caution

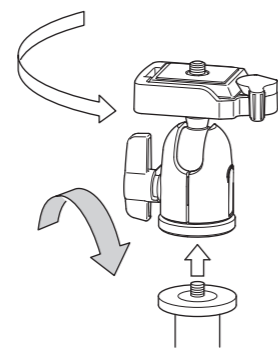


Turn the lower part of the center column in the direction of the arrow. (counter clockwise) Attach the center column weight hook to the bottom of the upper center column to prevent the center column from falling out of the body.

### Removing the ball head from the center column

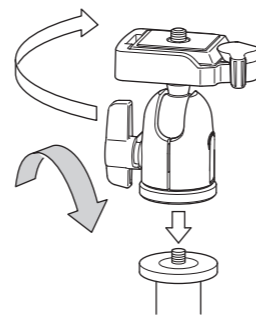


Use the following instructions if you wish to change to another head, or attach accessories. First, lock the center column lock.



Lock the ball lock lever. Turn the ball head in the direction of the arrow. Continue turning until the ball head is removed.

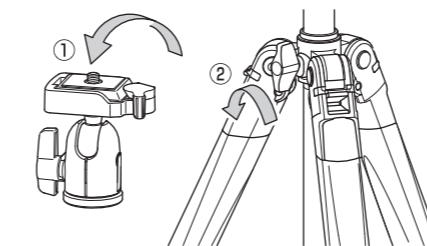
### Attaching the ball head



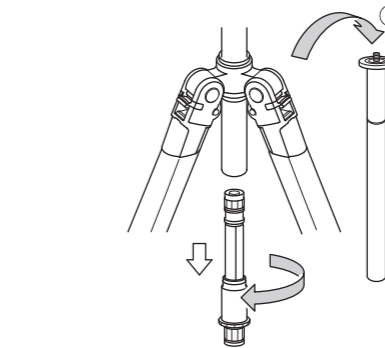
Match the female screw on the ball head to the screw threads on the center column and turn clockwise until it comes to a stop. Turn slight more to make sure it's firmly fixed.

### Inverting the center column

#### Caution

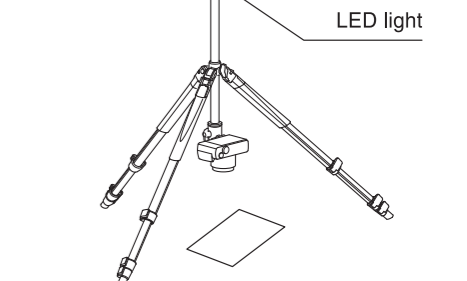


- 1 Always remove the ball head first before replacing the center column.
- 2 Loosen the center column lock.



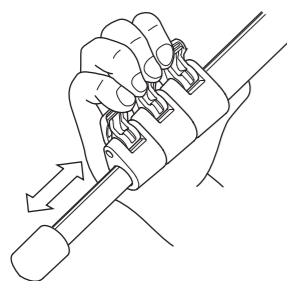
- 3 Remove the LED light and pull out the center column.

#### Caution



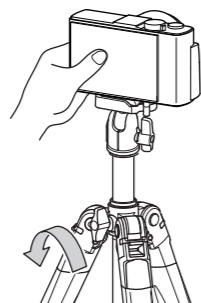
Insert the center column from the lower side of main body, and tighten the center column lock. Make sure to re-attach the LED light in order to prevent the center column from falling out accidentally.

### Extending the tripod legs

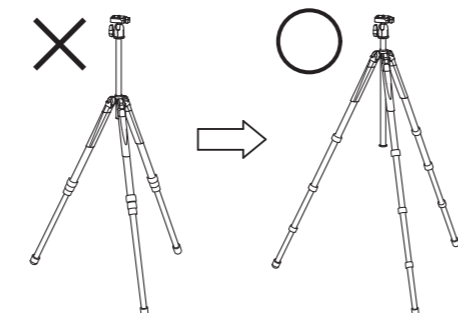


Flip the leg lock lever up to extend or shorten the section to the desired length. Press the leg lock lever(s) flush against the leg to lock.

### Operating the center column

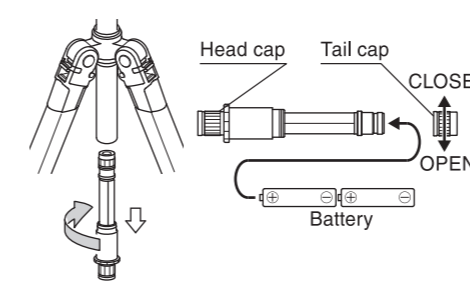


Hold the camera with one hand. Loosen the center column lock. Raise or lower the camera to desired height. While maintaining a hold, set the desired height of the camera, tighten the center column lock.



For best results and to avoid unnecessary camera vibrations, try to keep the center column height to a minimum if possible. Also use the larger legs first when extending the legs.

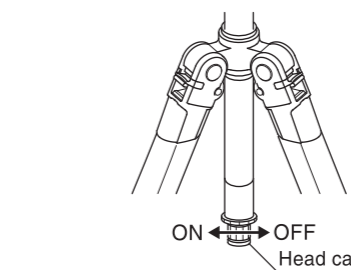
### LED light



Install 2x AAA battery (included) to use the LED light. Unscrew the bottom part of the center column and remove the LED light unit. Then remove the tail cap and install the batteries correctly.

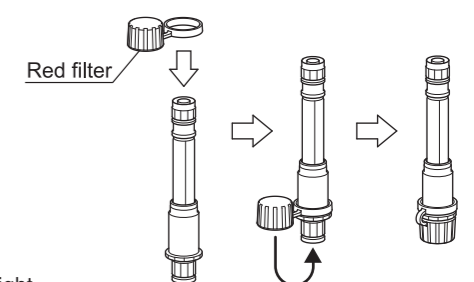
#### Caution

Do not look straight at the LED light when it is on to prevent serious damage to eyes.



Turn the head cap to turn on and off the light. Turn off the light after use.

LED light can be used as a independent light by itself.



Setting the red filter (Included).