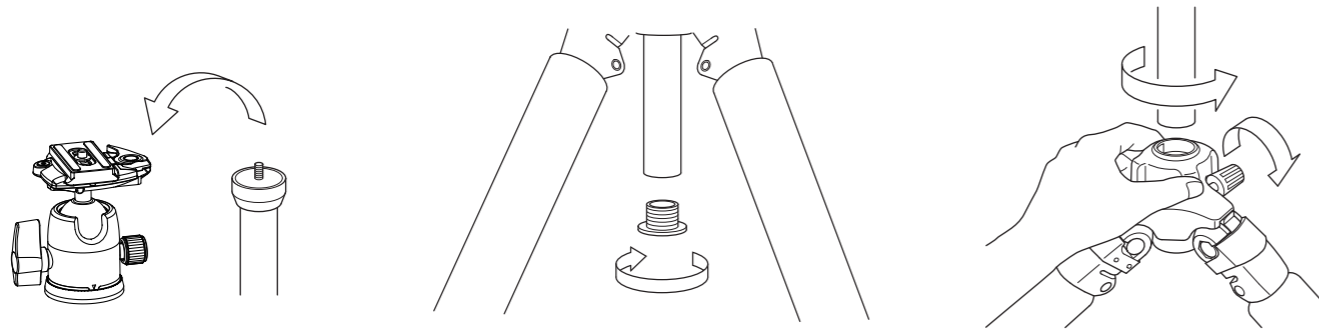


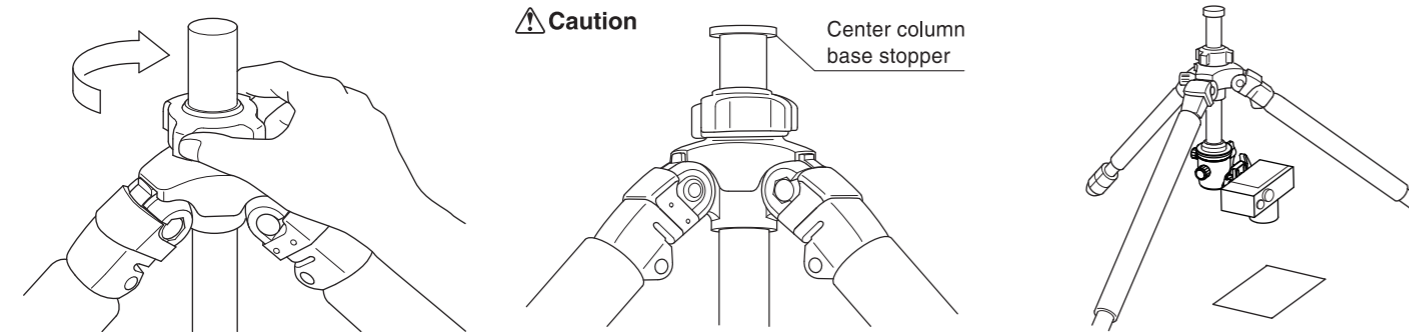
## Inverting the center column



Always remove the pan head first before replacing the center column.

Remove the center column base stopper from the bottom of the center column.

Loosen the center column stopper and the locking collar, and then pull out the center column.



Insert the center column from lower side of main body, and tighten the locking collar and the center column stopper.

Always be sure to return the center column base stopper back on the center column. This prevents the center column pulled out accidentally.

By inverting the center column, it is possible to do copy, and close up work.

## How to change the pan head fixing screw



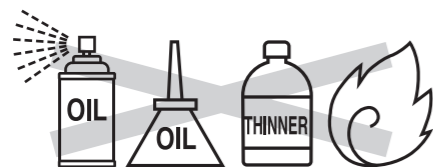
The pan head fixing screw is reversible for either large thread (U3/8") or small thread (U1/4").

- ① Move the plate cover down.
- ② Loosen the small screw in about three turnings with an allen wrench (2.5mm width).
- ③ Loosen the plate without removing the small screw.

- ④ Loosen the head fixing screw and pull it out. Then screw it in again after reversing the top and the bottom.
- ⑤ Adjust the height of screw in approx. 8mm above the plate. Then tighten the small screw by an allen wrench.
- ⑥ Put the plate cover back.

## Care of the tripod

- DO NOT apply any grease or oil to this product.
- Clean with a mild detergent and a soft cloth only.
- DO NOT use close to flame. Avoid extreme heat.



Slik Corporation reserves the right to make changes in design and/or improvements on the products without any obligation and advanced notice.

SLIK CORPORATION  
853 Kayama, Hidaka City, Saitama 350-1231, Japan Phone 81-42-989-2141, Fax. 81-42-985-0210 ©2018

# SLIK®

## PRO 700BH6 , PRO 500BH5

### Operating Instructions

Thank you very much for choosing SLIK product. The SLIK Corporation has designed your tripod to be a sturdy, rugged, dependable product that will provide you with many years of satisfactory use. Please take a few moments to read these operating instructions carefully before use so that you can take full advantage of your Tripod's many fine features. Retain this operating instruction sheet in case you might want to refer back to it.

#### ⚠ Caution

This caution icon refers to information pertaining to important safety procedures in preventing injuries, or damages which may occur as a result of mishandling this product.

#### 🚫 Prohibition

This prohibited icon refers to information pertaining to prohibited contents. Please refer to instructions closely to avoid accidents.

### Specification

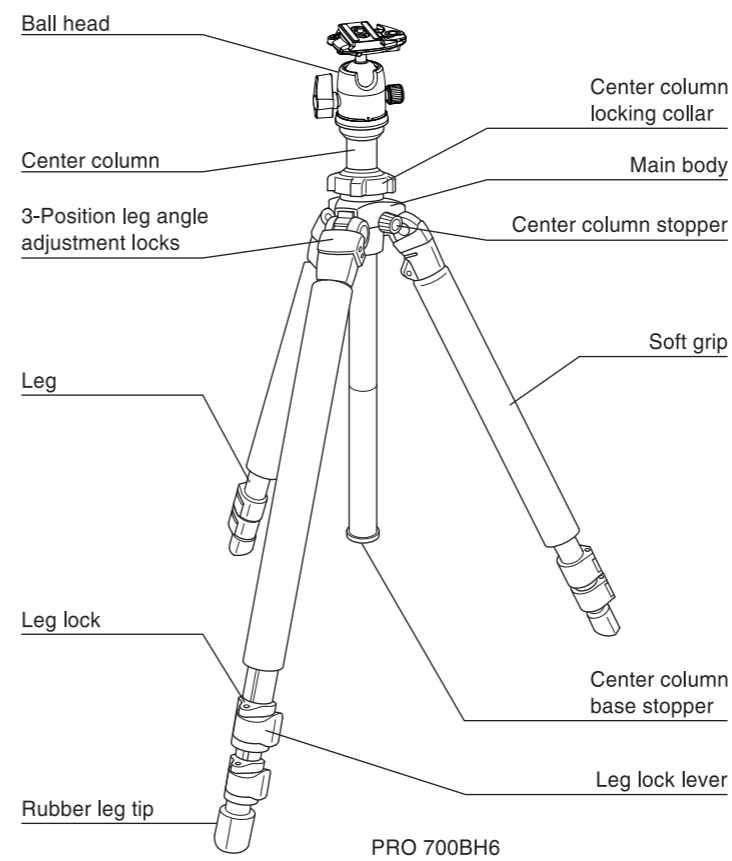
PRO 700BH6  
Folded length 766mm (30.2 in)  
Max. operating height 1,882mm (74 in)  
Max. center column ext. 380mm (14.9 in)  
Weight 3,150g (6.95 lbs)

PRO 500BH5  
Folded length 707mm (27.9 in)  
Max. operating height 1,642mm (64.6 in)  
Max. center column ext. 260mm (10.2 in)  
Weight 2,460g (5.43 lbs)

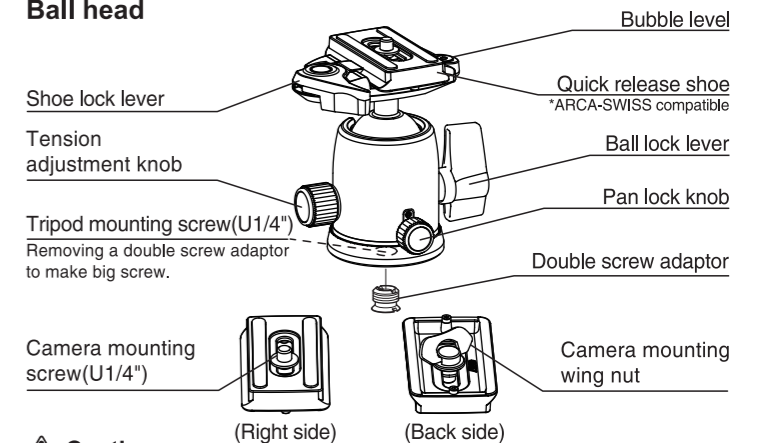
With exclusive case

T566

## Components



## Ball head



#### ⚠ Caution

※Bubble level on the tripod head is a rough criterion. It is not accurate as a leveler on a camera.

## Equipment that can be used with this tripod

#### 🚫 Prohibition

Maximum loading capacity:

PRO 700BH6 :6kg

PRO 500BH5 :5kg

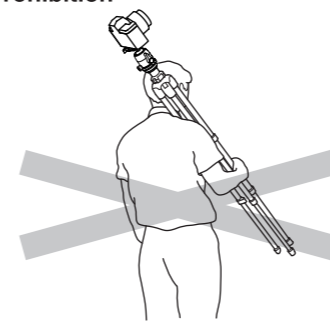
Do not exceed the specified loading capacity.

#### ⚠ Caution

※Soft grip is consumable. Replace when it is worn out.  
※Color of the soft grip can be stained. Keep out from objects.

## Carrying the tripod

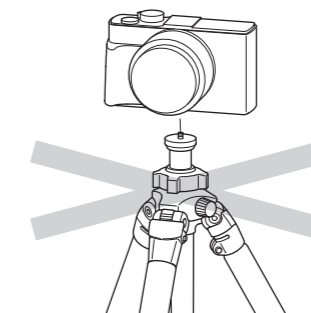
#### 🚫 Prohibition



Carrying a tripod with a camera left on can result in unexpected accidents. We, therefore recommend you to remove your camera while you are carrying the tripod.

## Pan head mounting post

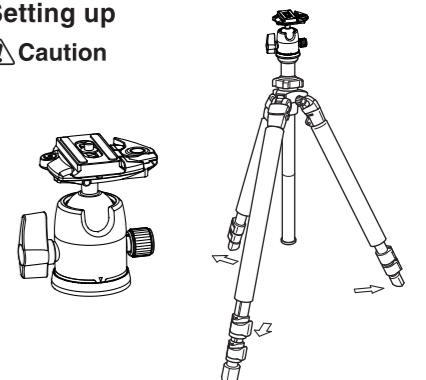
#### 🚫 Prohibition



Do not attach camera directly to the threaded post of the center column. This may damage both of camera and tripod.

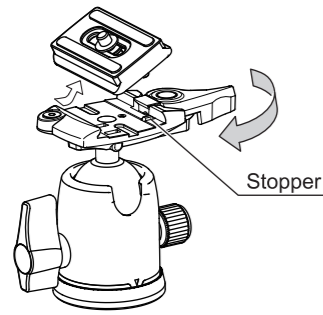
## Setting up

#### ⚠ Caution



To prevent accidental equipment fall or tripod tipping over making sure all levers, knobs and handles on the tripod are securely tightened, and all three legs are opened all the way.

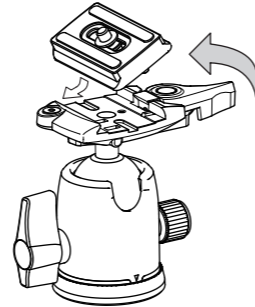
### Attaching the camera to the quick release shoe



Remove the quick release shoe.  
Do not put the lock lever back by force as it has been stood by the stopper.

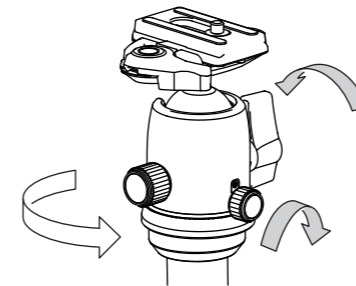
Screw the camera mounting screw on the tripod attachment screw of your camera and fix firmly.

### ⚠ Caution



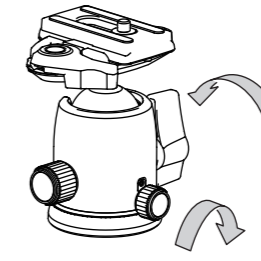
To reattach the shoe, slide it in from the shoe lock lever side.  
If it attaches, the shoe lock lever closes automatically.  
Push the lock lever more to make sure the camera shoe is locked completely.

### Removing head from the center column

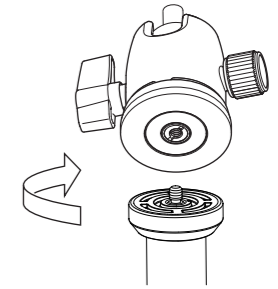


Tighten the ball lock lever and pan lock knob.  
Turn the head counter-clockwise to loosen.

### How to attach a tripod

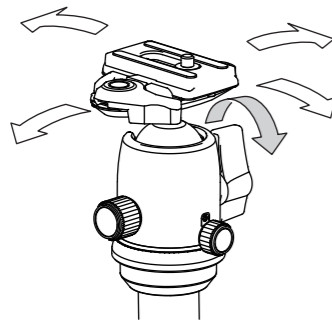


Tighten the ball lock lever and pan lock knob.  
When a tripod mounting screw is U3/8", screw in the double screw adaptor.

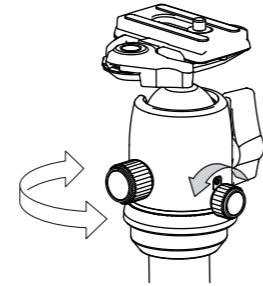


Set to the pan head attachment screw, and turn the head clockwise and fasten firmly.

### Operation

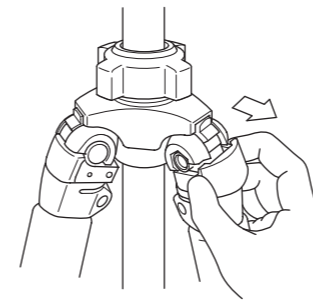


The platform can be moved freely while ball lock lever is loosened.  
Tighten the ball lock lever when a camera angle is determined.

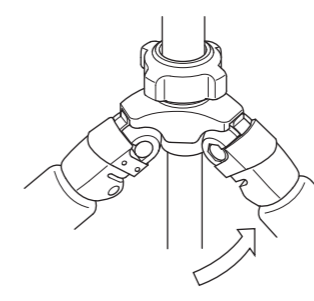


When the pan lock knob is loosened, the tripod head is rotated horizontally.

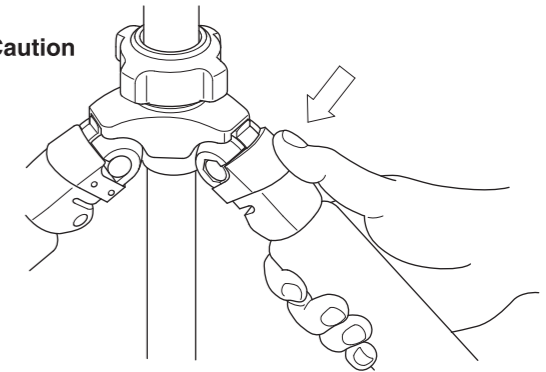
### Three position adjustable legs



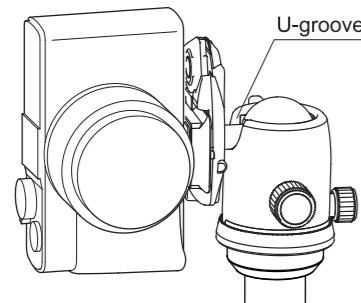
To change the angle of each leg, close the leg slightly and then pull the leg angle adjustment lock out.  
There is a choice of two other angle positions.



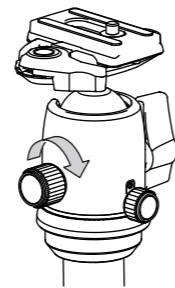
### ⚠ Caution



After choosing the desired leg angle, securely push in the adjustment lock.

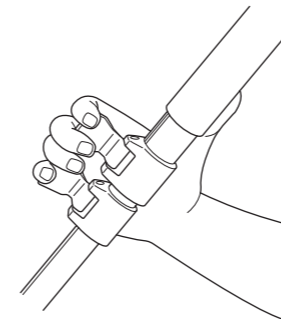


To set vertical camera position, place the platform into U-groove.



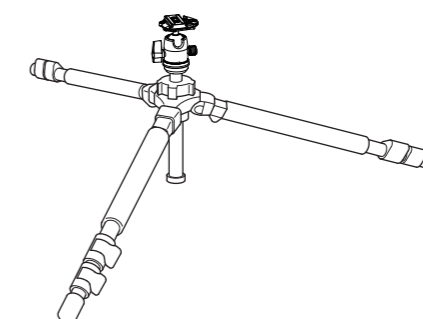
A friction is adjusted by the tension adjustment knob only when the ball lock lever is loosened.

### Extending the tripod legs

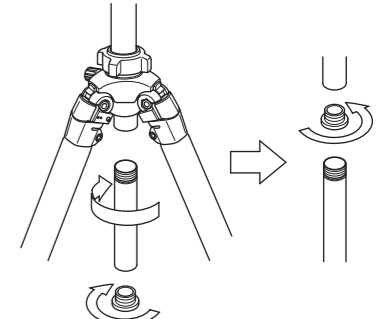


Flip up the leg lock lever to extend or shorten any of the individual leg sections to the desired length.  
Press the leg lock lever flush against the leg to lock.

### How to get low position shots

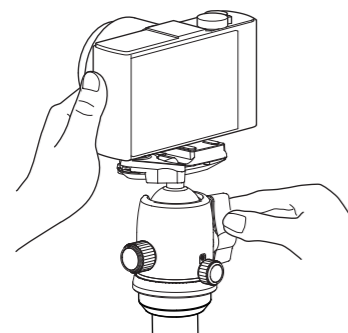


You can get lower height as shown in the picture.



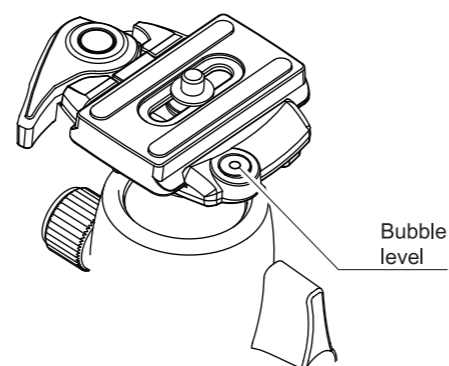
Remove the center column base stopper.  
Then remove the lower part of center column.  
Put the center column base stopper in to the upper part of center column.

### ⚠ Caution



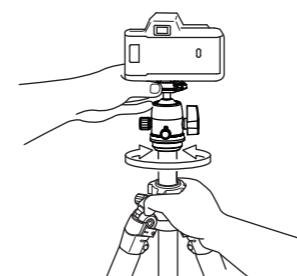
To loosen the ball lock lever with a camera on can result an unexpected fall.  
Hold a camera firmly until the ball lock lever is tightened.

### Bubble level



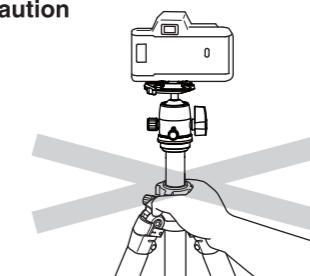
Adjust the bubble level to fit into center.  
The bubble level is a rough criterion. It is not accurate as a leveler on a camera.

### Using the center column

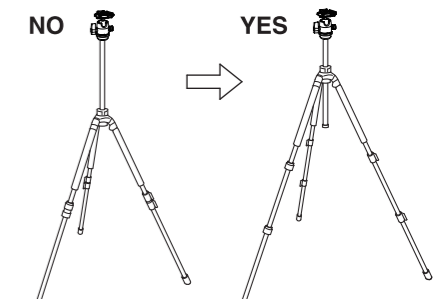


Hold the ball head with one hand.  
Loosen the center column stopper and the center Column locking collar with the other hand.  
Raise or lower ball head to desired height.  
While maintaining a hold you desired height of the ball head, tighten the locking collar and the stopper.

### ⚠ Caution



You may be injured by a sudden fall if you remain ball head without tightening up locking collar.  
Make sure to turn the locking collar with your hand on the side of the collar.



To avoid unnecessary camera vibrations, try to keep the center column height to a minimum.  
Also use the larger legs first when extending the legs.