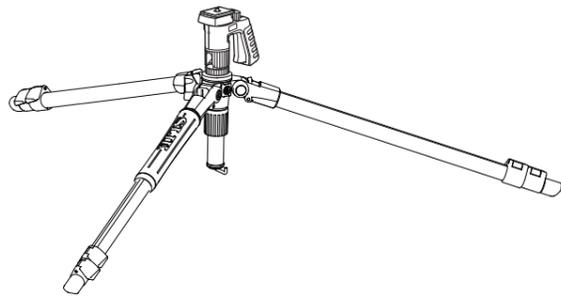
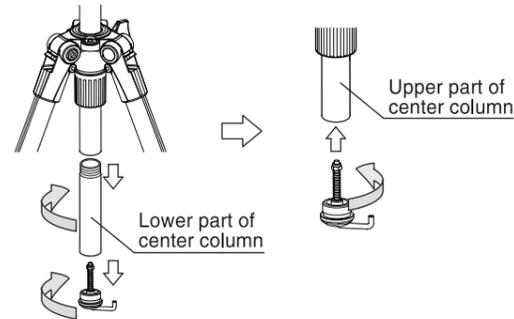


How to get low position shots



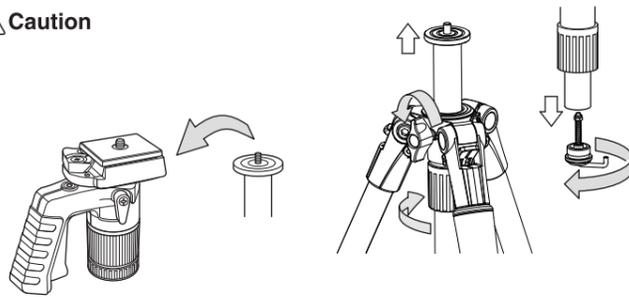
You can get lower height.



Remove the center column base stopper and then, remove the lower part of center column.
Put the center column base stopper on the upper part of center column.

Inverting the center column

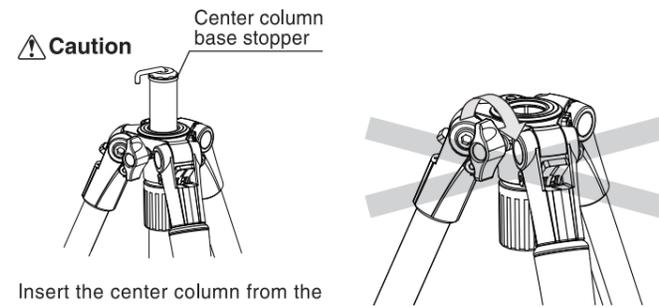
⚠ Caution



Remove the pan head when inverting or replacing the center column.

Remove the center column base stopper from the bottom of the center column.
Loosen the center column locking nut and the center column stopper, and then pull out the center column.

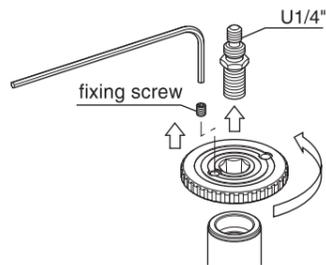
⚠ Caution



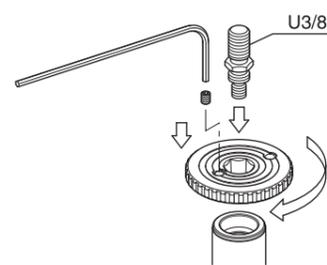
Insert the center column from the lower side of main body, and tighten the center column locking nut and the center column stopper.
Make sure to re-attach the center column base stopper in order to prevent the center column falling out accidentally.

Please do not turn the center column stopper without a center column &/or an optional short center column.
The internal parts may be damaged.

How to change the pan head attachment screw

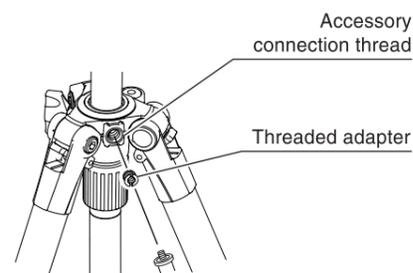


To change the U3/8" screw, loosen the fixing screw with an allen wrench (2.5mm width) and rotate the center column plate to remove from the center column. Then push out the pan head attachment screw from the bottom.



Flip the pan head attachment screw and put back to the center column plate.
Screw in the center column plate and the pan head attachment screw.
Tighten the fixing screw to avoid the rotating the center column plate while in use.

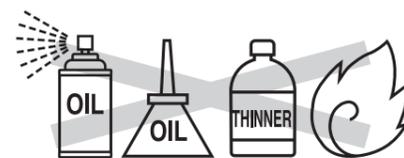
Accessory connection thread



The tripod has 1/4" (if you take off the threaded adapter, 3/8") female thread which can be used to attach accessories, such as a light, a monitor, etc.

Care of the tripod

- DO NOT apply any grease or oil to this product.
- Clean with a mild detergent and a soft cloth only.
- DO NOT use close to flame. Avoid extreme heat.



Slik Corporation reserves the right to make changes in design and/or improvements on the products without any obligation and advanced notice.

SLIK®

PRO AL-323AF

Operating Instructions

Thank you very much for choosing SLIK product.
The SLIK Corporation has designed your tripod to be a sturdy, rugged, dependable product that will provide you with many years of satisfactory use.

Please take a few moments to read this operating instruction carefully before use so that you can take full advantage of your Tripod's many fine features.
Retain this operating instruction in case you might want to refer back to it.

⚠ Caution

This caution icon refers to information pertaining to important safety procedures in preventing injuries, or damages which may occur as a result of mishandling this product.

⊘ Prohibition

This prohibited icon refers to information pertaining to prohibited contents. Please refer to instructions closely to avoid accidents.

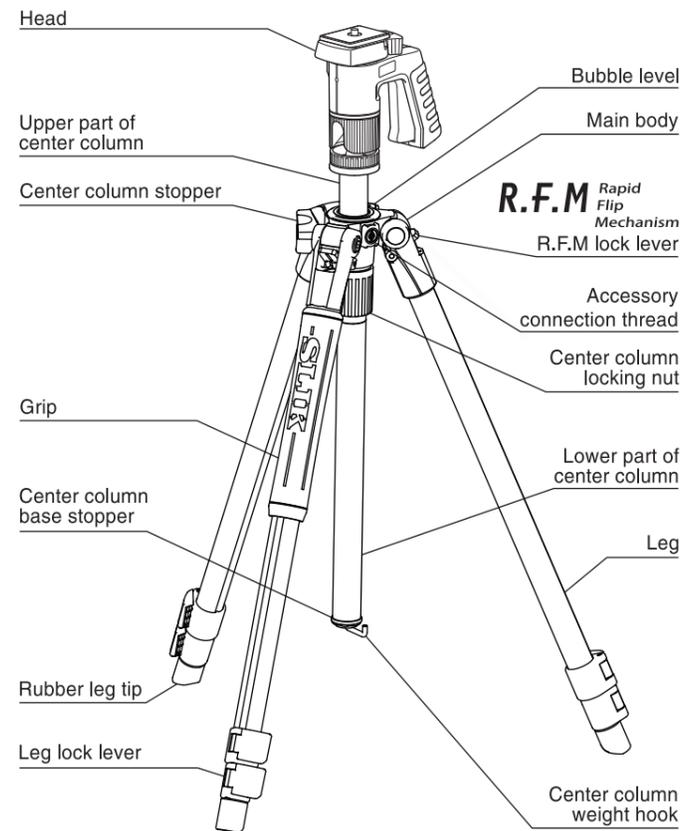
Specification

Folded length	660mm (26 in)
Max. operating height	1,615mm (63.5 in)
Max. center column ext.	315mm (12.4 in)
Weight	1,850g (4.08 lbs)

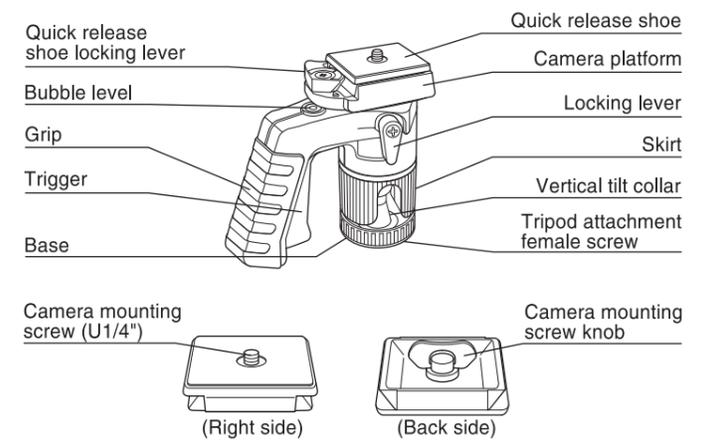
T838

With exclusive case

Components



Head



Equipment that can be loaded on this tripod

⊘ Prohibition

Maximum loading capacity : 1.5kgs (3.3 lbs)

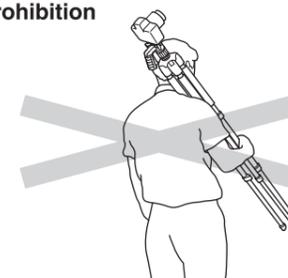
This product has been designed to handle equipment weighing under 1.5kgs(3.3 lbs). Do not overload.
Some equipments weighing under 1.5kgs(3.3 lbs), such as long lenses, may not balance well due to its weight distribution.
In such case, please use a larger tripod.

⚠ Caution

*Bubble level on the tripod is a rough criterion.
It's not so accurate as a level on a camera.

Carrying the tripod

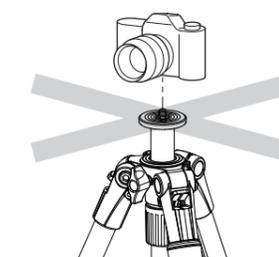
⊘ Prohibition



Carrying a tripod with a camera left on can result in unexpected accidents.
We therefore, recommend you to remove your camera while carrying the tripod.

Pan head mounting screw

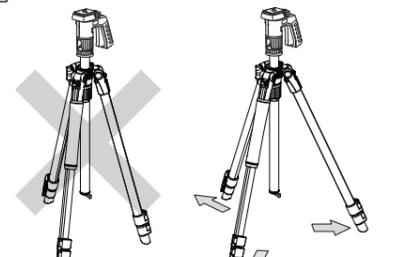
⊘ Prohibition



Do not attach camera directly to the threaded post of the center column.
This may damage both camera and tripod.

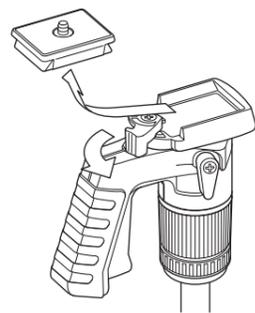
Setting up

⚠ Caution



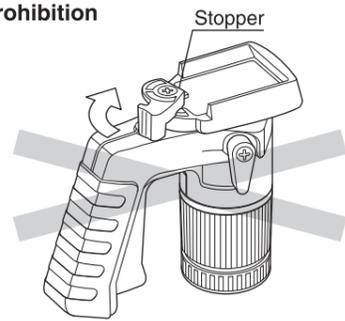
To prevent accidental equipment fall or tripod tipping over making sure all levers, knobs and handles on the tripod are securely tightened.
And all of the three legs are opened all the way.

Attaching the camera to the quick release shoe

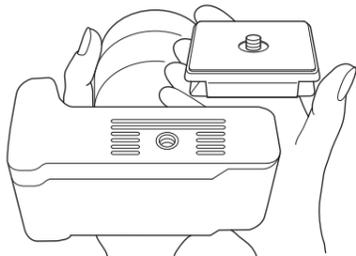


Remove the quick release shoe turning the quick release shoe locking lever.

Prohibition

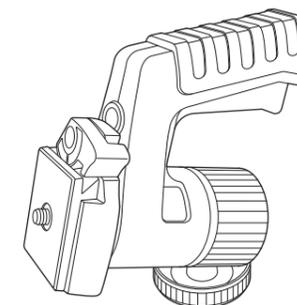
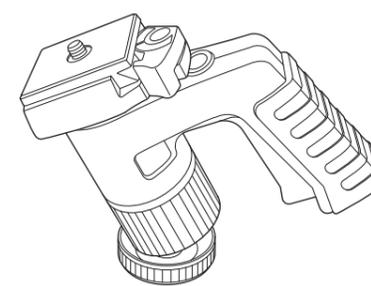
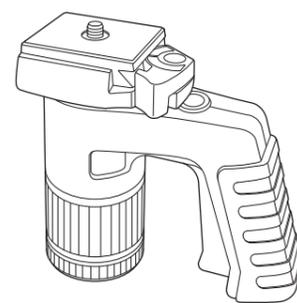


In this case, please do not put the quick release shoe locking lever back by force as it has been stood by the stopper.

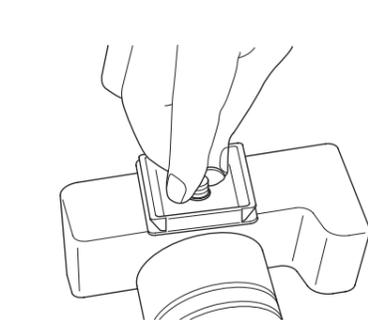


Insert the camera mounting screw of the quick release shoe in the place of the tripod attachment screw of your camera.

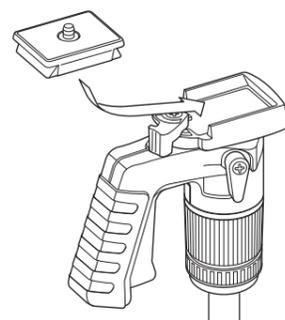
Using the head (continued)



The head can be inclined up to 90 degrees to the direction of the skirt of U-ditch. You can get any angles if you use the rotation of the skirt and the camera platform.

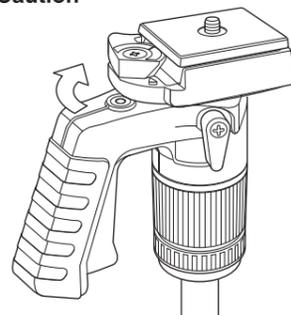


Turn the camera mounting screw knob and fix firmly.



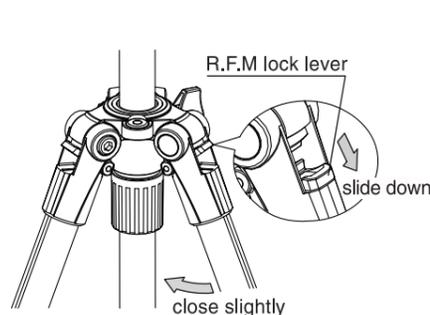
Attach the quick release shoe slide aslant from the quick release shoe locking lever. It will be closed automatically after attaching.

Caution

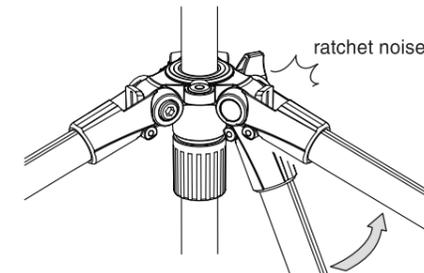


Fasten the quick release shoe locking lever to the side of lever fixation. It will be certainly fixed.

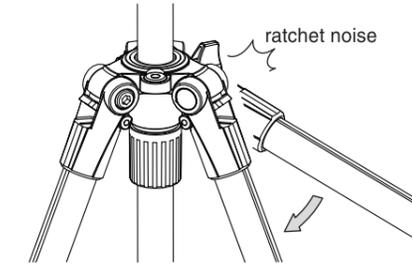
R.F.M Three position adjustable legs



Close the leg slightly and slide the R.F.M lock lever down.

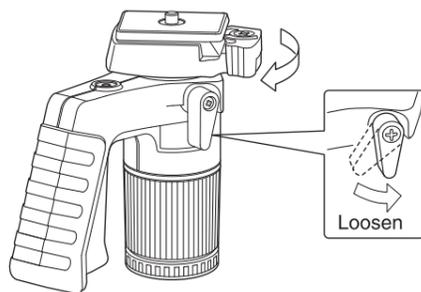


Move the leg up slowly, it will make a ratchet noise at a certain point. This position is the low position.

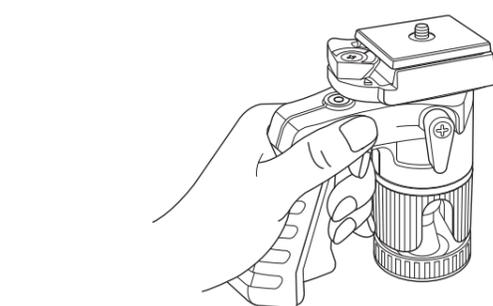


Close the leg further, a middle position or regular leg position can be chosen.

Using the head

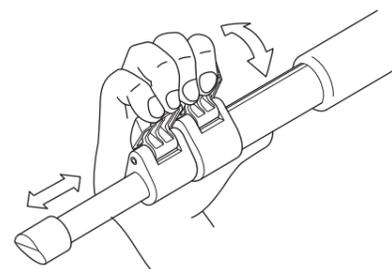


The camera platform rotates when the camera platform locking lever is loosened in the direction of the arrow.



It moves when the grip is grasped and pull the trigger. The skirt also rotates. If the trigger is released, it locks.

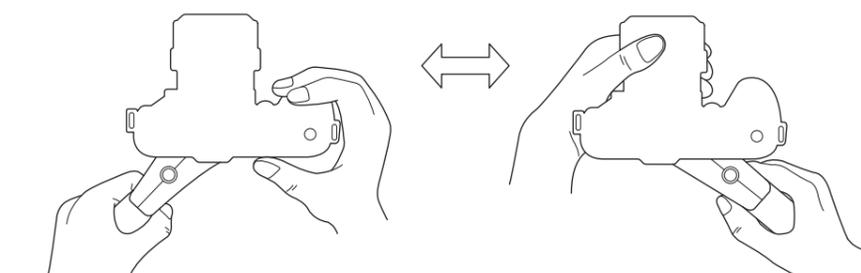
Extending/Folding of tripod legs



Flip up the leg lock lever to extend or shorten any of the individual leg sections to the desired length and press the leg lock lever flush against the leg to lock.



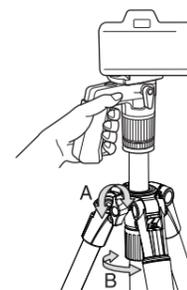
It is easier to extend the tripod logs if you turn the leg-tips to the foot, while leaving legs close.



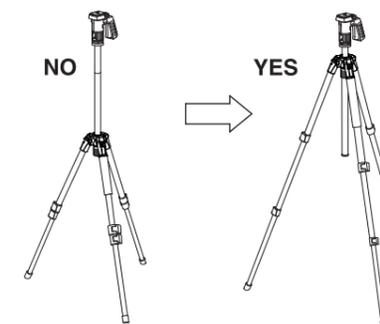
The position of the grip can be freely chosen as the camera platform rotates. Please fix the camera platform with the locking lever when you decide your required position.



How to use the center column



A - Screw-type
Center column stopper is used to lock or unlock center column.
B - Twist-type
Center column locking nut is used to adjust a tension of the movement. The both of A and B must be locked for fixing center column.



To avoid unnecessary camera vibrations, try to keep the center column height to a minimum. Also use the larger legs first when extending the legs.