

Operating Instructions

Thank you very much for choosing SLIK product. SLIK Corporation has designed to be a sturdy, rugged, dependable product that will provide you with many years of satisfactory use. Please take a few moments to read this operating instruction carefully before use so that you can take full advantage of many fine features. Retain this operating instruction in case you might want to refer back to it.

⚠ Caution

This caution icon refers to information pertaining to important safety procedures in preventing injuries, or damages which may occur as a result of mishandling this product.

🚫 Prohibition

This prohibited icon refers to information pertaining to prohibited contents. Please refer to instructions closely to avoid accidents.

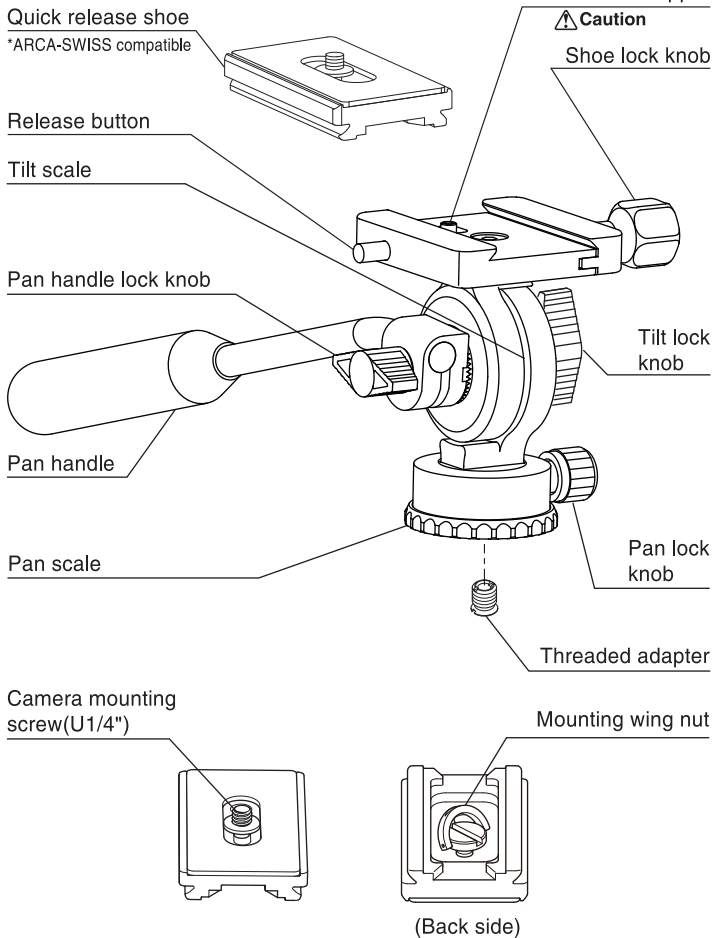
Specification

SVH-501

Height	110 mm (4.4 in)
Weight	540 g (1.2 lbs)

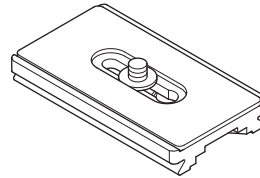
T864

Components

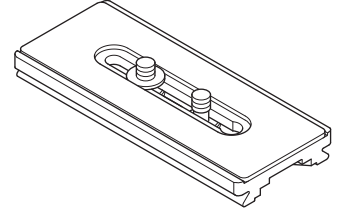


Optional accessories

6502
70mm length



6503
100mm length, U1/4
6263
100mm length, U3/8



⚠ Caution

The unit can be fit with the Arca-Swiss compatible quick shoe other than the quick shoe that comes with it. However, the release stopper may be trapped depending on the shape of the quick shoe backside to be used. In this case, refer to the back side of this instruction and disable the release stopper function.

Equipment that can be loaded on this tripod

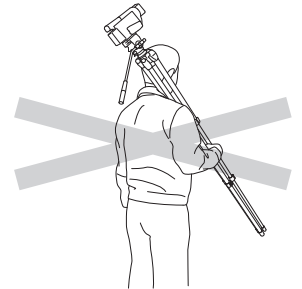
🚫 Prohibition

Maximum loading capacity
:4kgs(8.8 lbs)

This product has been designed to handle equipment weighing under 4kgs(8.8 lbs). Do not overload. Some equipments weighing under 4kgs(8.8 lbs), such as long lenses, may not balance well due to its weight distribution. In such case, please use a larger tripod.

Carrying the tripod

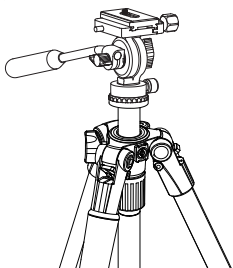
🚫 Prohibition



Carrying a tripod with a camera left on can result in unexpected accidents. We therefore, recommend you to remove your camera while carrying the tripod.

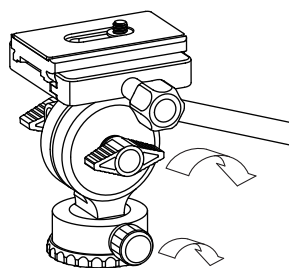
Setting up

⚠ Caution

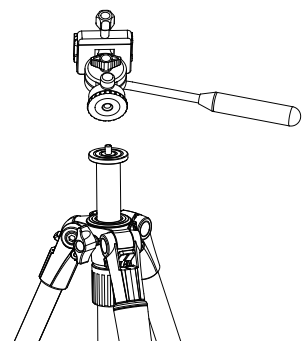


To prevent accidental equipment fall or tripod tipping over, making sure all levers, knobs and handles on the tripod are securely tightened.

How to attach to tripod



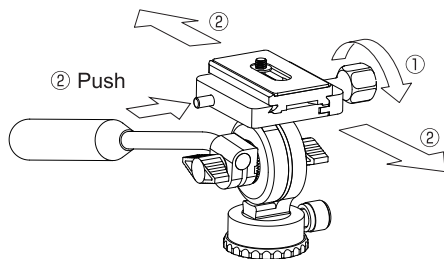
Tighten the tilt lock knob and the pan lock knob. When a pan head attachment screw of the tripod is U3/8", remove the threaded adapter.



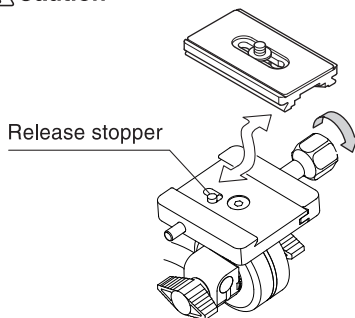
Set to the pan head attachment screw, and turn the head clockwise and fasten firmly.

Remove the quick release shoe

⚠ Caution

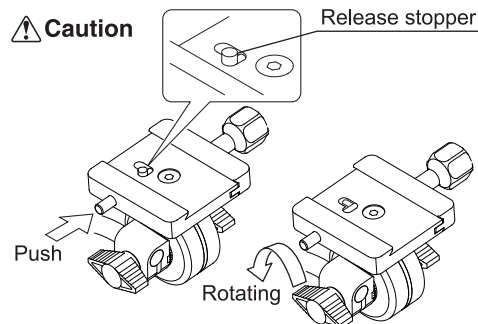


- ① Loosen the shoe lock lever about half a turn.
- ② While pressing the release button, slide the quick shoe in the direction of the arrow and remove the shoe plate.



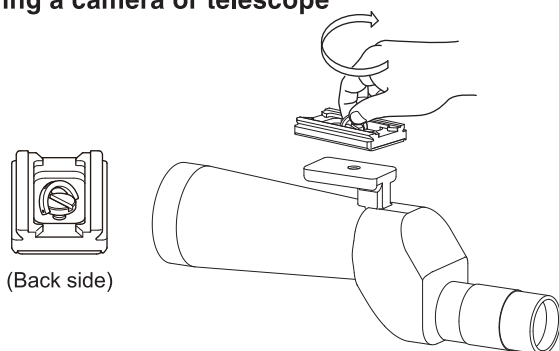
The quick release shoe can be removed from the top when the shoe lock knob is loosened fully. When the shoe lock knob is loosened fully, the release stopper mechanism does not work. Be careful not to come off the quick release shoe accidentally.

⚠ Caution

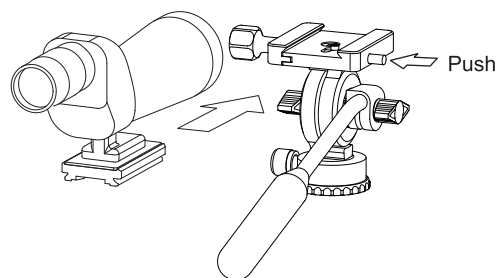


It is possible to intentionally disable the release stopper function by pressing and rotating the release lever. The release stopper is retracted into the platform. It is convenient to use a third-party quick shoe and to remove equipment. However, the stopper function doesn't work, it can cause the equipment fall.

Attaching a camera or telescope

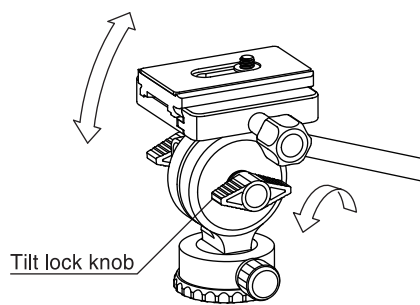


Attach the equipment screw hole and camera mounting screw and screwing lightly. Adjust the position of the quick shoe to the equipment and tighten the screw firmly. After installation, take down the mounting wing nut.

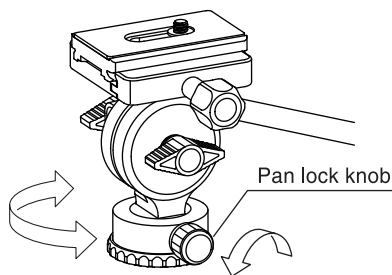


Press down the release button and insert the quick shoe into the camera platform. Tighten the shoe lock lever in the well-balanced position.

Operation

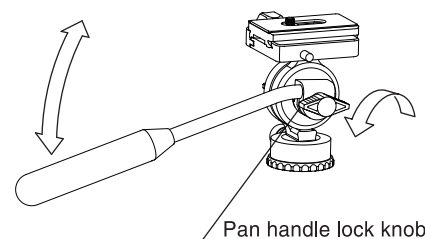


Loosen the tilt lock knob, and the head will tilt back and forth.



Loosen the pan lock knob, and the head will rotate along the horizontal direction.

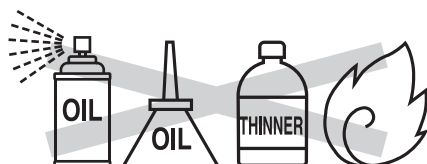
⚠ Caution



By loosen the pan handle lock knob, you can change the pan handle to the desired position. When adjusting the position of the pan handle, lock the tilt lock knob firmly. After you change the pan handle position, lock the pan handle lock knob firmly.

Care of the product

- DO NOT apply any grease or oil to this product.
- Clean with a mild detergent and a soft cloth only.
- DO NOT use close to flame. Avoid extreme heat.



Slik Corporation reserves the right to make changes in design and/or improvements on the products without any obligation and advanced notice.

SLIK CORPORATION

853 Kayama, Hidaka City, Saitama 350-1231 Japan Phone 81-42-989-2141, Fax. 81-42-985-0210 ©2019