

Specification

Height	80 mm (3.1 in)
Weight	280 g (0.62 lbs)

Operating Instructions

Thank you very much for choosing SLIK product. SLIK Corporation has designed to be a sturdy, rugged, dependable product that will provide you with many years of satisfactory use. Please take a few moments to read this operating instruction carefully before use so that you can take full advantage of many fine features. Retain this operating instruction in case you might want to refer back to it.

⚠ Caution

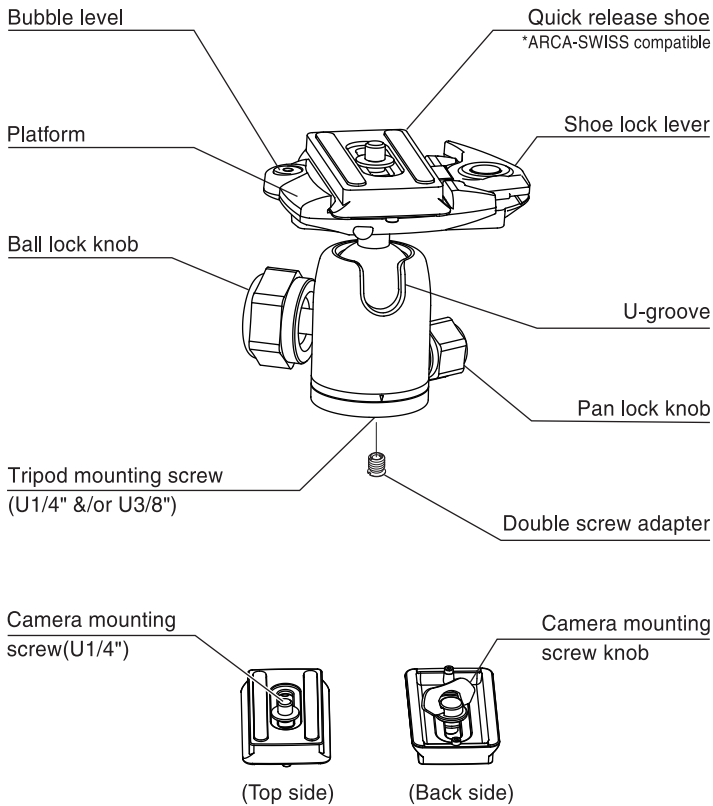
This caution icon refers to information pertaining to important safety procedures in preventing injuries, or damages which may occur as a result of mishandling this product.

🚫 Prohibition

This prohibited icon refers to information pertaining to prohibited contents. Please refer to instructions closely to avoid accidents.

T868

Components



Equipment that can be loaded on this product

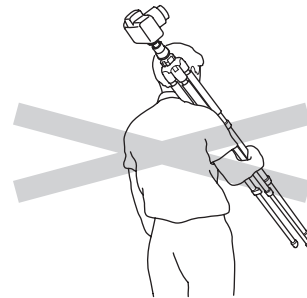
🚫 Prohibition

Maximum loading capacity
4 kgs (8.8 lbs)

Do not overload. This product has been designed to handle equipment weighing under the maximum loading capacity. Some equipments weighing under the maximum loading capacity may not balance well due to its weight distribution. Use a larger equipment in such case.

Carrying the tripod

🚫 Prohibition

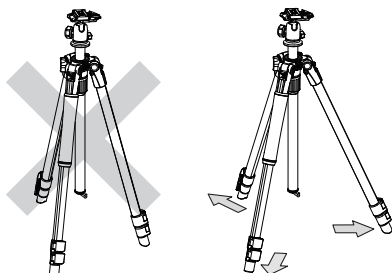


Carrying a tripod with a camera left on can result in unexpected accidents. We therefore, recommend you to remove your camera while carrying the tripod.

※Bubble level is a rough criterion. It's not so accurate as a level on a camera.

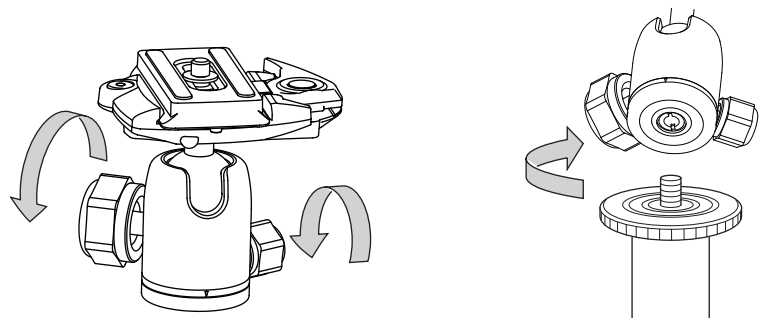
Setting up

⚠ Caution



To prevent accidental equipment fall or tripod tipping over, making sure all levers, knobs and handles on the tripod are securely tightened, and all three legs are opened all the way.

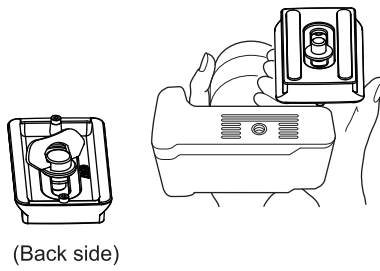
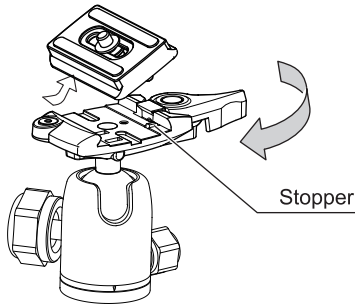
How to attach to tripod



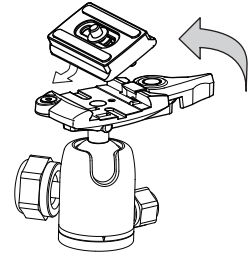
Tighten the ball lock knob and pan lock knob. When a pan head attachment screw of the tripod is U3/8", remove the double screw adaptor.

Set to the pan head attachment screw, and turn the head clockwise and fasten firmly.

Attaching the camera to the quick release shoe



⚠ Caution

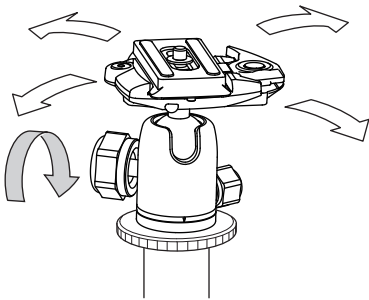


Remove the quick release shoe.
Do not put the lock lever back by force as it has been stood by the stopper.

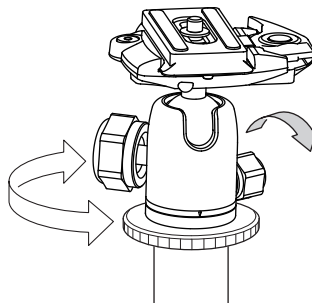
Screw the camera mounting screw on the tripod attachment screw of your camera and fix firmly.

To reattach the shoe, slide it in from the shoe lock lever side.
If it attaches, the shoe lock lever closes automatically.
Push the shoe lock lever more to make sure the camera shoe is locked completely.

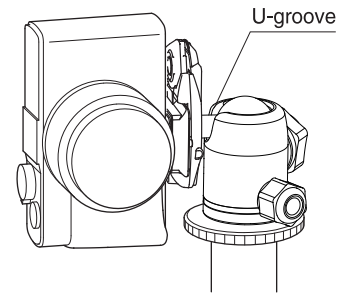
Operation



The platform can be moved freely while ball lock lever is loosened.
Tighten the ball lock lever when a camera angle is determined.

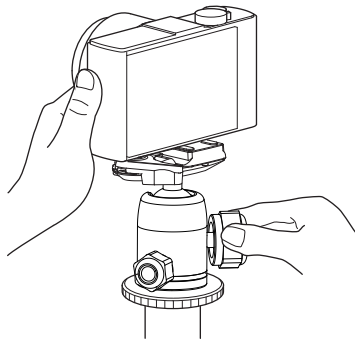


When the pan lock knob is loosened, the tripod head is rotated horizontally.



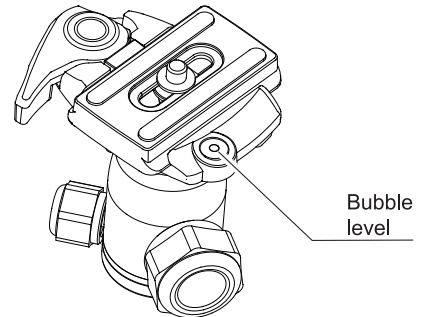
To set vertical camera position, place the platform into U-groove.

⚠ Caution



To loosen the ball lock lever with a camera on can result an unexpected fall.
Hold a camera firmly until the ball lock lever is tightened.

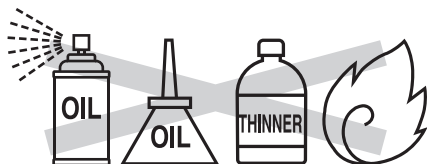
Bubble level



Adjust the bubble level to fit into center. The bubble level is a rough criterion.
It is not accurate as a leveler on a camera.

Care of the product

- DO NOT apply any grease or oil to this product.
- Clean with a mild detergent and a soft cloth only.
- DO NOT use close to flame. Avoid extreme heat.



Slik Corporation reserves the right to make changes in design and/or improvements on the products without any obligation and advanced notice.

SLIK CORPORATION

853 Kayama, Hidaka City, Saitama 350-1231 Japan Phone 81-42-989-2141, Fax. 81-42-985-0210 ©2020