

## Operating Instructions

Thank you very much for choosing SLIK products. Please take a few moments to read these operating instructions carefully before use so that you can take full advantage of your tripod's many fine features. Retain this operating instruction sheet in case you might want to refer back to it.

**⚠ Caution** This caution icon refers to information pertaining to important safety procedure in preventing injuries, or damages which may occur as a result of mishandling this product.

**🚫 Prohibition** This prohibited icon refers to information pertaining to prohibited contents. Please refer to instruction closely to avoid accidents.

## Specification

### Tripod Mode

Folded length	195mm(7.68in)
Max. operating height	215mm(8.46in)
Weight	280g(0.62lbs)

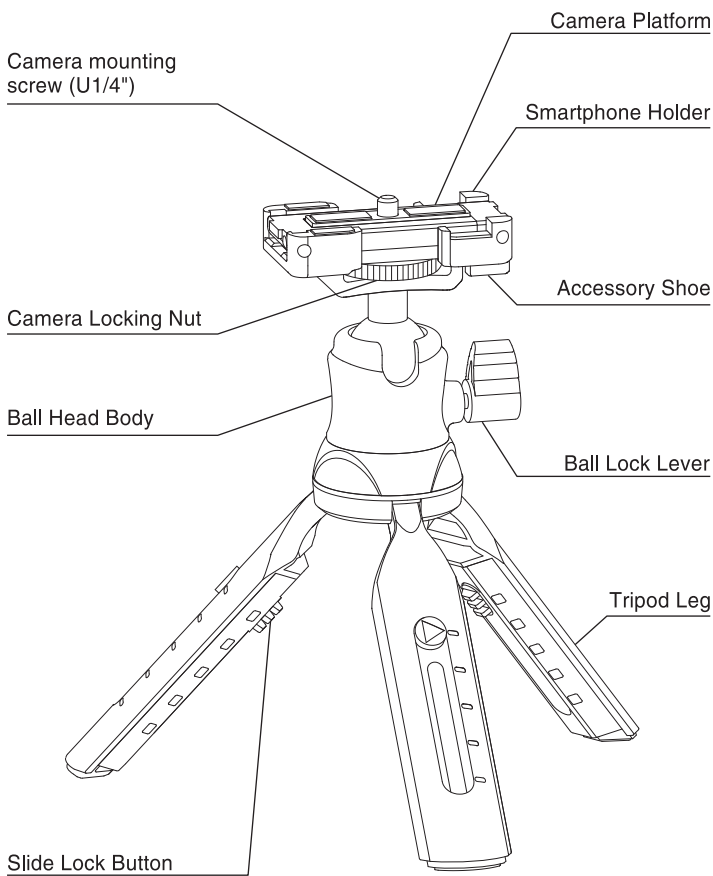
### Stand Pod Mode

Folded length	360mm(14.2in)
Max. operating height	930mm(36.6in)
Weight	355g(0.79lbs)

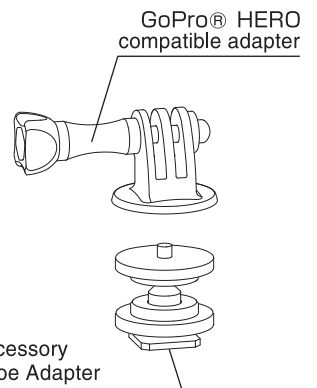
including pouch

V193

## Components



Extension Pole



GoPRO, HERO, GoPro logo and GoPro Be a HERO logo are trademarks or registered trademark for GoPro Inc. in the US and other countries.

## Carrying the tripod

**🚫 Prohibition**

Remove camera and smartphone from the unit while transporting. Camera or smartphone may fall from the unit and cause bodily injury or property damage.

## Equipment that can be loaded on this tripod

**🚫 Prohibition**

Maximum loading capacity : 1kgs (2.2 lbs)

Maximum loading capacity while using extension pole : 0.5kgs (1.1 lbs)

Do not overload. Even under max. load capacity, some equipment such as long lenses, may not balance well due to its weight distribution.

## Applicable Smartphone Size

**⚠ Caution**

Width : 58mm ~ 90mm

Thickness : within 12mm

Even within the above dimensions, depending on the outward shape of smartphone and its protection case, the smartphone holder of the unit may not securely hold it.

## Precautions for use

**⚠ Caution**

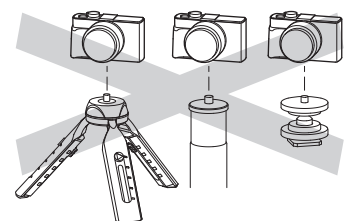
Before using this unit, please make sure all equipment attached to the unit are securely held in place. Please handle with utmost care, as camera will leave from your hand. Please do not leave the unit unattended. The unit may fall down and cause the damage to the equipment.

## Installation of the unit and set up

**⚠ Caution**

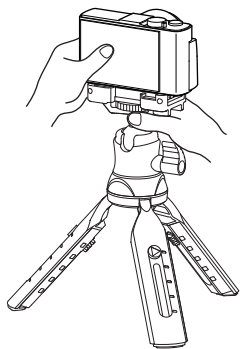
Please securely mount the equipment and lock the levers, knobs and handles to prevent product from falling. And all three legs of the tripod must be opened all the way. Uneven leg spreads may cause the product fall over or shaky image.

## Ball head mounting screw



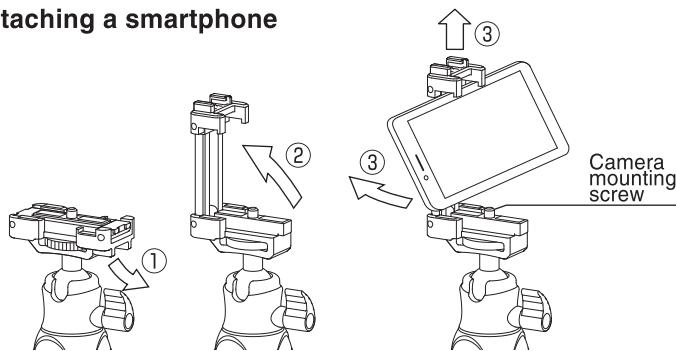
Do not attach camera directly to the screw thread of the tripod, extension pole or accessory shoe adapter. It may damage both camera and tripod. Camera must be mount onto ball head.

## Attaching a camera



Attaching a camera by rotating the camera locking nut, while holding camera with other hand. Please securely hold the camera until the camera is securely mounted.

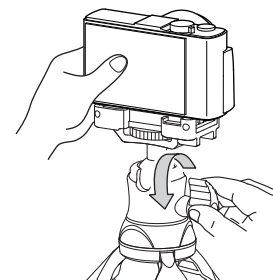
## Attaching a smartphone



When attaching a smartphone to the ball head,

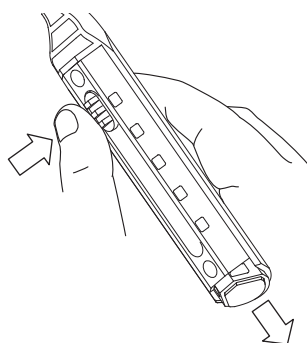
- ① flip up the smartphone holder in the direction of arrow.
  - ② flip up the smartphone holder in the direction of arrow.
  - ③ insert the smartphone to the smartphone holder while pulling it up.
- Be careful hitting smartphone to the camera mounting screw while its installation. Please make sure the smartphone holder securely hold the smartphone.

## How to use the ball head

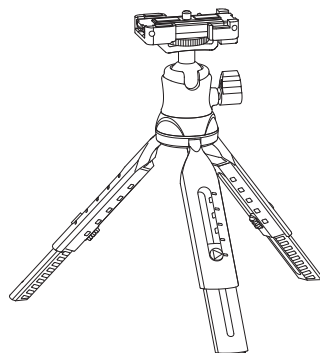


The platform can be moved freely while ball lock lever is loosened. Tighten the ball lock lever when a camera angle is determined.

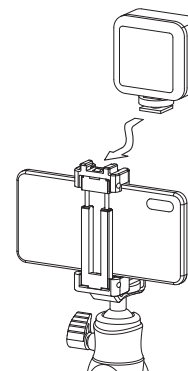
## Extending of tripod leg



You can change the tripod legs in 5 different length, when pulling tripod leg in direction of arrow while pushing the slide lock button at the back of the tripod leg. Please make sure the latch of the tripod leg is securely engaged and no movement occurs.

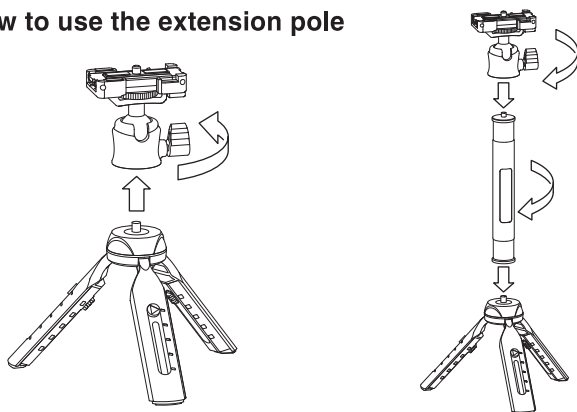


## Accessory Shoe

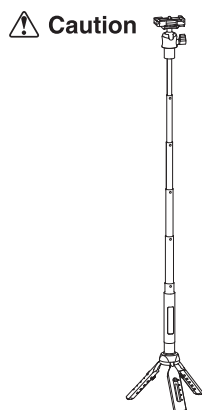


You can attach accessory shoe adapter (included) or compact LED light to the access shoe. Please make sure total weight of all equipment does not overload its max. capacity.

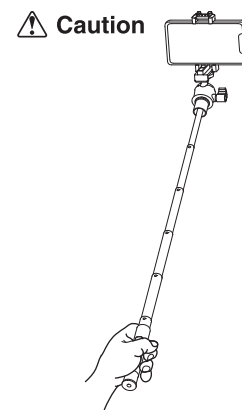
## How to use the extension pole



When you use the unit as the stand pod with the extension pole included,  
 ① remove ball head from the tripod by rotating the head counter-clockwise.  
 ② set the extension pole on the tripod's connection screw, and turn the pole clockwise. Then, attach ball head to the pole's connection screw and turn the head clockwise.

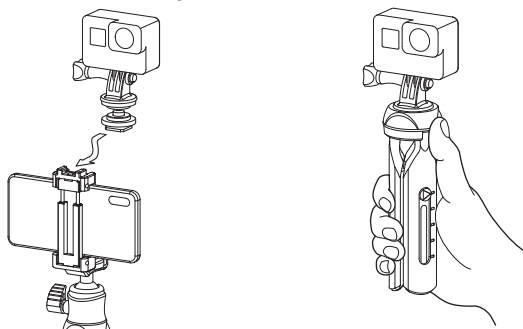


**Caution**  
 Do not leave the unit unattended. It may cause the product fall down and damage the equipment.



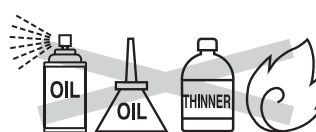
**Caution**  
 With extension pole and ball head, it can be used as the selfie stick.

## How to use accessory shoe



Action camera can be attached to the unit with accessory shoe adapter. It can be attached to the accessory shoe or directly mount to the tripod with GoPro adapter.

## Prohibition



- DO NOT apply any grease or oil to the tripod or the head. It may cause product failure. If the movement of moving parts gets worse, please contact the dealer you purchased from or Slik Service Center.
- DO NOT use the unit close to flames or leave in a hot car for a long time.

## Maintenance

- For cleaning the unit, use only a clean soft cloth with a mild detergent. Do not use organic solvents like paint thinner.

Slik Corporation reserves the right to make changes in design and/or improvements on the products without any obligation and advanced notice.

**SLIK CORPORATION**  
 853 Kayama, Hidaka City, Saitama  
 350-1231, Japan  
 Phone 81-42-989-2141  
 Fax. 81-42-985-0210  
 ©2019