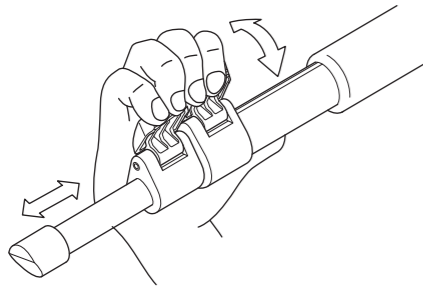


Extending/Folding of tripod legs

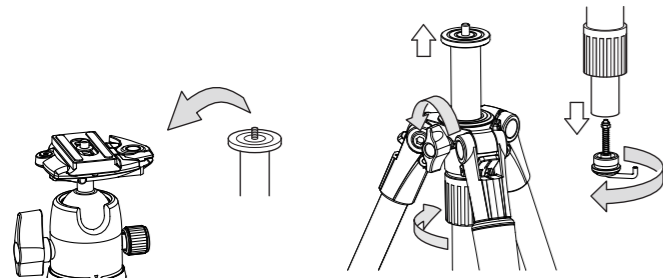


Flip up the leg lock lever to extend or shorten any of the individual leg sections to the desired length and press the leg lock lever flush against the leg to lock.

It is easier to extend the tripod logs if you turn the leg-tips to the foot, while leaving legs close.

Inverting the center column

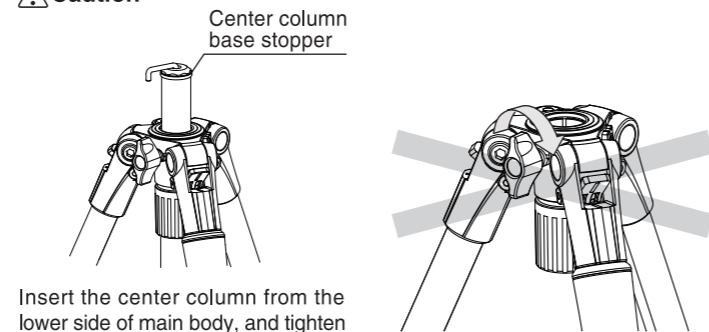
⚠ Caution



Remove the pan head when inverting or replacing the center column.

Remove the center column base stopper from the bottom of the center column. Loosen the center column locking nut and the center column stopper, and then pull out the center column.

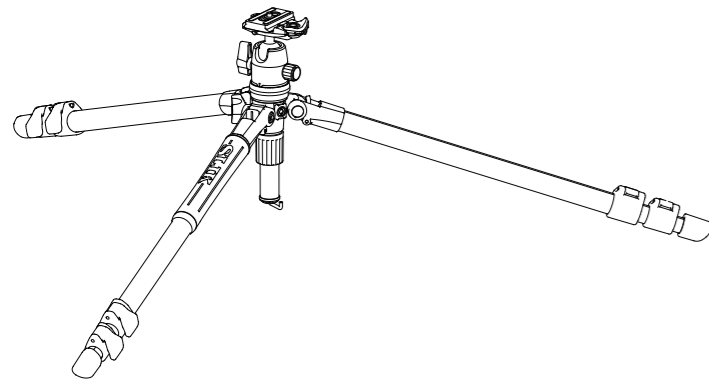
⚠ Caution



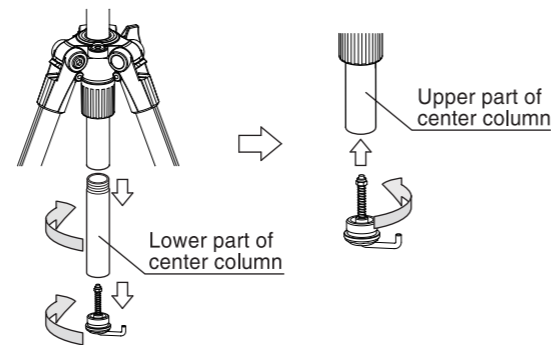
Insert the center column from the lower side of main body, and tighten the center column locking nut and the center column stopper. Make sure to re-attach the center column base stopper in order to prevent the center column falling out accidentally.

Please do not turn the center column stopper without a center column &/or an optional short center column. The internal parts may be damaged.

How to get low position shots

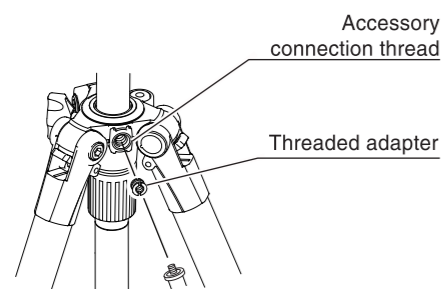


You can get lower height.



Remove the center column base stopper and then, remove the lower part of center column. Put the center column base stopper on the upper part of center column.

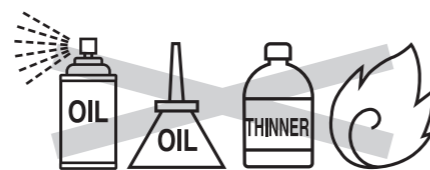
Accessory connection thread



The tripod has 1/4" (if you take off the threaded adapter, 3/8") female thread which can be used to attach accessories, such as a light, a monitor, etc.

Care of the tripod

- DO NOT apply any grease or oil to this product.
- Clean with a mild detergent and a soft cloth only.
- DO NOT use close to flame. Avoid extreme heat.



Slik Corporation reserves the right to make changes in design and/or improvements on the products without any obligation and advanced notice.

SLIK®

PRO AL-523BH5

Operating Instructions

Thank you very much for choosing SLIK PRO AL-500 SERIES Tripod. The SLIK Corporation has designed your tripod to be a sturdy, rugged, dependable product that will provide you with many years of satisfactory use.

Please take a few moments to read this operating instruction carefully before use so that you can take full advantage of your Tripod's many fine features.

Retain this operating instruction in case you might want to refer back to it.

⚠ Caution

This caution icon refers to information pertaining to important safety procedures in preventing injuries, or damages which may occur as a result of mishandling this product.

⊘ Prohibition

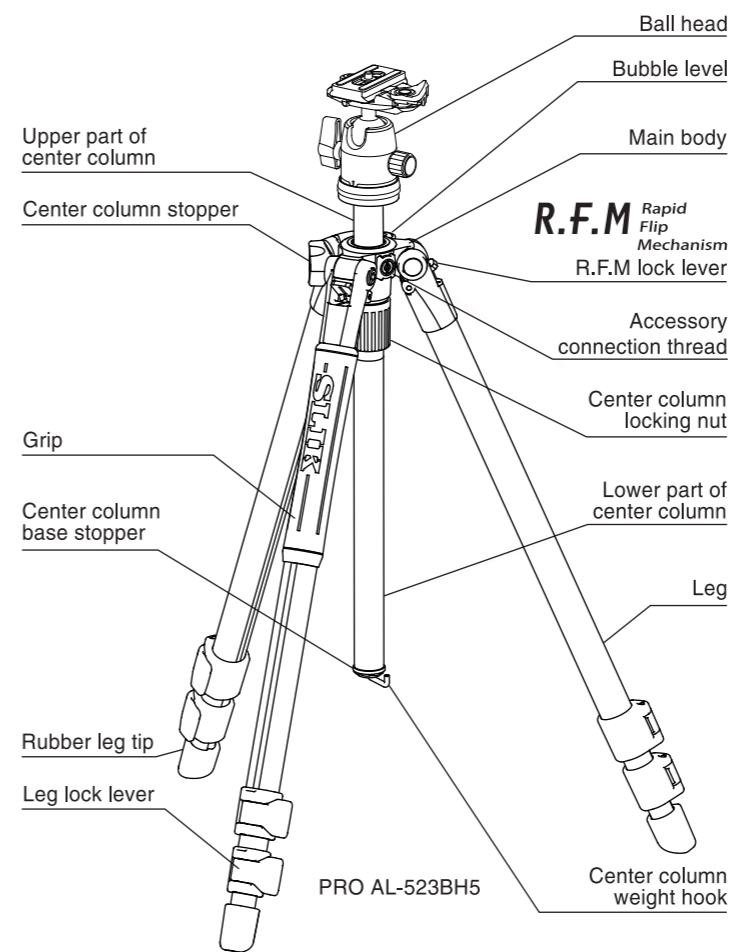
This prohibited icon refers to information pertaining to prohibited contents. Please refer to instructions closely to avoid accidents.

Specification

PRO AL-523BH5	
Folded length	660mm (26 in)
Max. operating height	1,673mm (65.8 in)
Max. center column ext.	320mm (12.5 in)
Weight	2,088g (4.61 lbs)

V445

Components

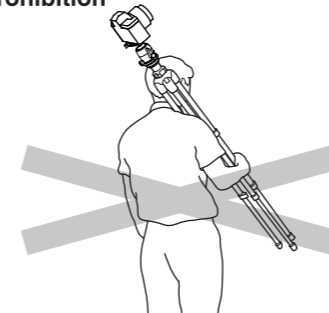


⚠ Caution

※Bubble level on the tripod is a rough criterion. It's not so accurate as a level on a camera.

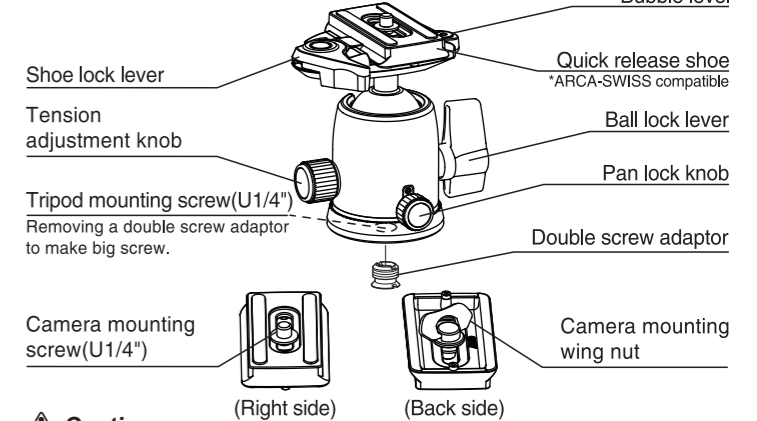
Carrying the tripod

⊘ Prohibition



Carrying a tripod with a camera left on can result in unexpected accidents. We therefore, recommend you to remove your camera while carrying the tripod.

Ball head



⚠ Caution

※Bubble level on the tripod head is a rough criterion. It is not accurate as a leveler on a camera.

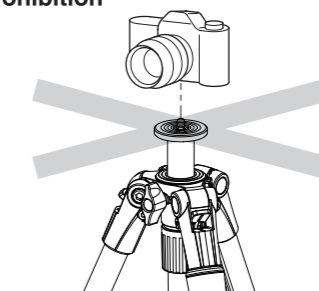
Equipment that can be loaded on this tripod

⊘ Prohibition

This product has been designed to handle equipment weighing under 5 kgs(11.0 lbs). Do not overload. Some equipment weighing under 5 kgs(11.0 lbs), such as long lenses, may not balance well due to its weight distribution. In such case, please use a larger tripod.

Pan head mounting post

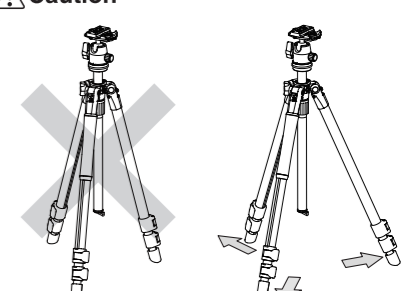
⊘ Prohibition



Do not attach camera directly to the threaded post of the center column. This may damage both camera and tripod.

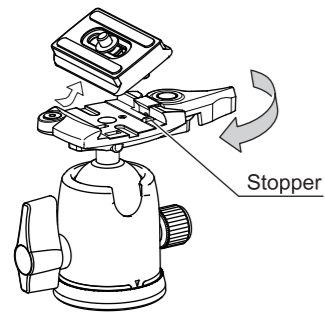
Setting up

⚠ Caution



To prevent accidental equipment fall or tripod tipping over making sure all levers, knobs and handles on the tripod are securely tightened. And all of the three legs are opened all the way.

Attaching the camera to the quick release shoe

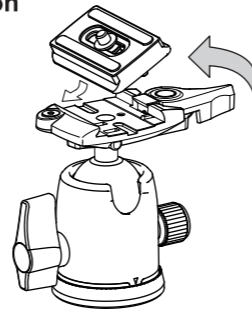


Remove the quick release shoe. Do not put the lock lever back by force as it has been stood by the stopper.



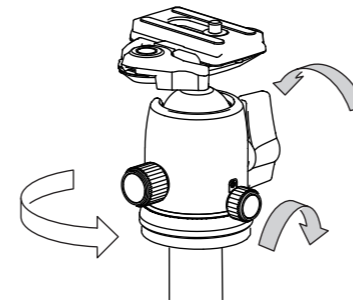
Screw the camera mounting screw on the tripod attachment screw of your camera and fix firmly.

⚠ Caution



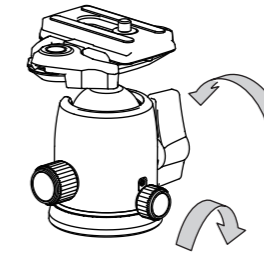
To reattach the shoe, slide it in from the shoe lock lever side. If it attaches, the shoe lock lever closes automatically. Push the lock lever more to make sure the camera shoe is locked completely.

Removing head from the center column

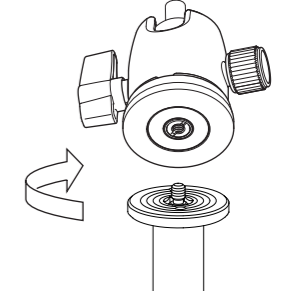


Tighten the ball lock lever and pan lock knob. Turn the head counter-clockwise to loosen.

How to attach a tripod

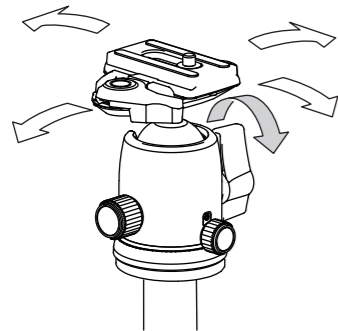


Tighten the ball lock lever and pan lock knob. When a tripod mounting screw is U3/8", screw in the double screw adaptor.

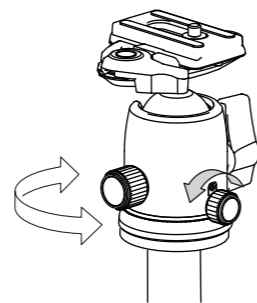


Set to the pan head attachment screw, and turn the head clockwise and fasten firmly.

Operation

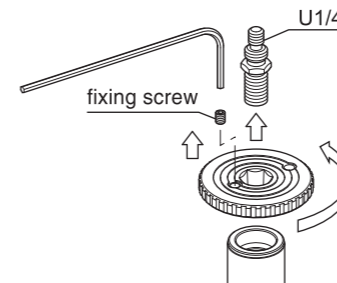


The platform can be moved freely while ball lock lever is loosened. Tighten the ball lock lever when a camera angle is determined.

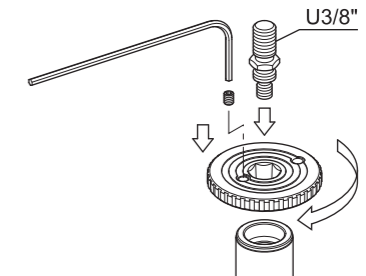


When the pan lock knob is loosened, the tripod head is rotated horizontally.

How to change the pan head attachment screw

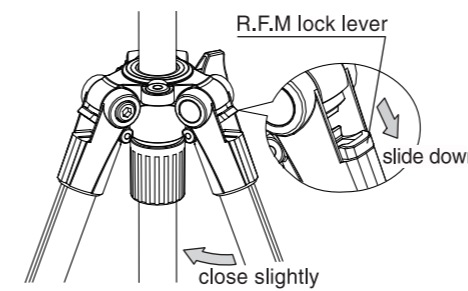


To change the U3/8" screw, loosen the fixing screw with an allen wrench (2.5mm width) and rotate the center column plate to remove from the center column. Then push put the pan head attachment screw from the bottom. Loosen the plate without removing the small screw.

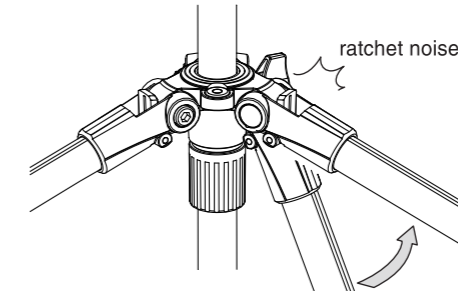


Flip the pan head attachment screw and put back to the center column plate. Screw in the center column plate and the pan head attachment screw. Tighten the fixing screw to avoid the rotating the center column plate while in use.

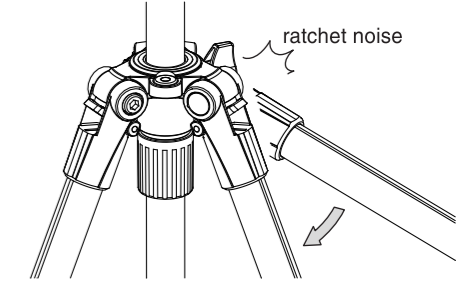
R.F.M Three position adjustable legs



Close the leg slightly and slide the R.F.M lock lever down.

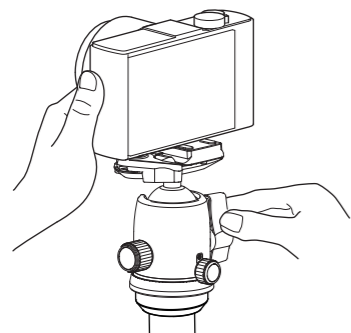


Move the leg up slowly, it will make a ratchet noise at a certain point. This position is the low position.



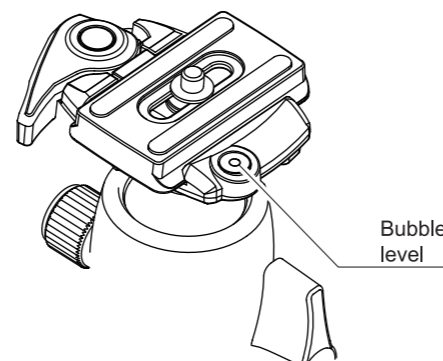
Close the leg further, a middle position or regular leg position can be chosen.

⚠ Caution



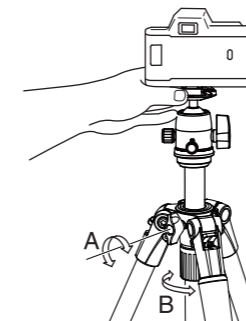
To loosen the ball lock lever with a camera on can result an unexpected fall. Hold a camera firmly until the ball lock lever is tightened.

Bubble level

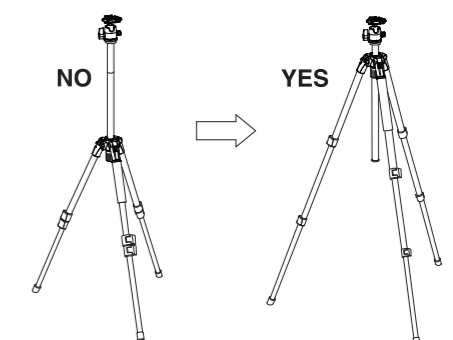


Adjust the bubble level to fit into center. The bubble level is a rough criterion. It is not accurate as a leveler on a camera.

How to use the center column



A - Screw-type
Center column stopper is used to lock or unlock center column.
B - Twist-type
Center column locking nut is used to adjust a tension of the movement. The both of A and B must be locked for fixing center column.



To avoid unnecessary camera vibrations, try to keep the center column height to a minimum. Also use the larger legs first when extending the legs.