

Operating Instructions

Thank you very much for choosing SLIK product. SLIK Corporation has designed to be a sturdy, rugged, dependable product that will provide you with many years of satisfactory use. Please take a few moments to read this operating instruction carefully before use so that you can take full advantage of many fine features. Retain this operating instruction in case you might want to refer back to it.

⚠ Caution

This caution icon refers to information pertaining to important safety procedures in preventing injuries, or damages which may occur as a result of mishandling this product.

🚫 Prohibition

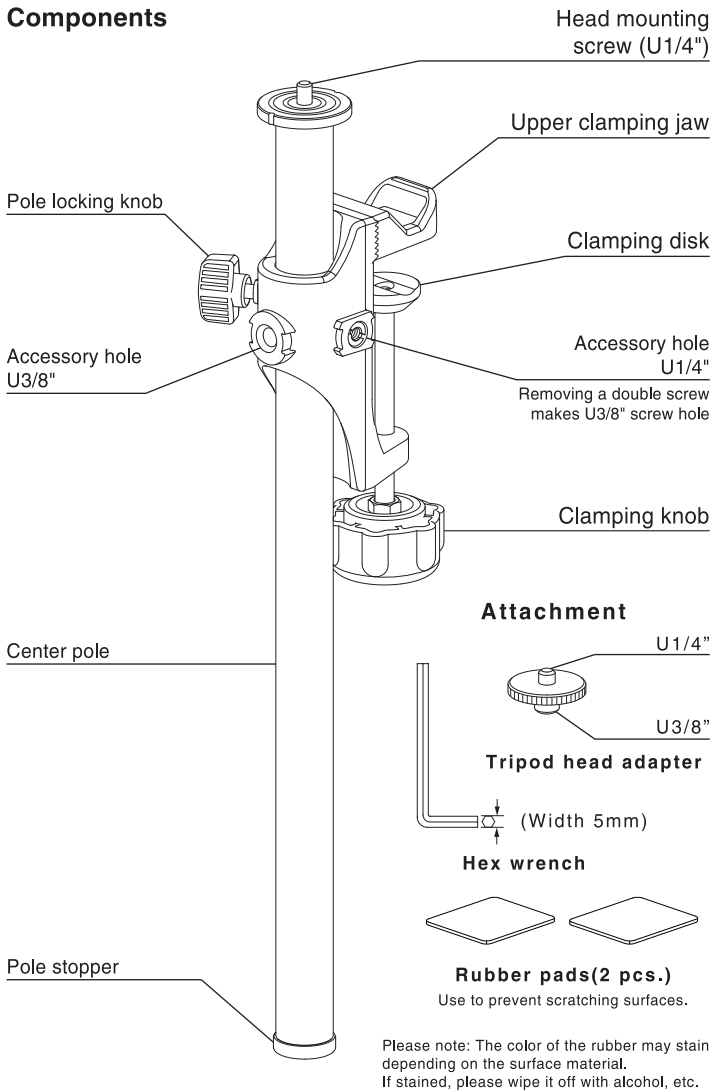
This prohibited icon refers to information pertaining to prohibited contents. Please refer to instructions closely to avoid accidents.

Specification

Pole sliding range	345mm (13.5 in)
Max. height from mounting surface	370mm (14.5 in)
Max. installation size (Flat Surface)	5mm~75mm (0.2~2.95 in)
Max. installation size (Pipe)	20 dia.~48.6 dia. (0.8~1.9 in)
Weight	540g (1.2 lbs)

V914

Components



Load capacity

🚫 Prohibition

Installing on flat surface
Max. loading capacity : 5kg

Installing to round object
Max. loading capacity : 2kg

Do not load equipment over the loading capacity. The max. loading capacity is the value when a load applied perpendicular to the pole. Some equipment weighing below the load capacity may not balance well due to its weight distribution. Check the strength of the installation base before installing.

Set up the unit

⚠ Caution

Before installing the unit, check the strength of the installation base. Attaching to unstable surfaces and insufficient tightening will cause product fall or tip causing damage to your equipment and surface. Please make sure the unit is securely installed to the installation base, before use. Depending on the shape of the base being clamped, it may not be possible to install. Overtightening will damage the equipment and installation base. To prevent unexpected falls or tipping, make sure all handles, knobs and levers are securely tightened.

Carrying the unit

🚫 Prohibition

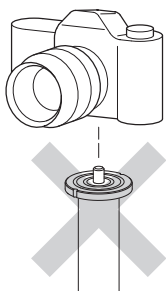
Carrying the unit with a camera attached can result in unexpected accidents. We therefore, recommend you remove your camera when carrying the unit.

Caution for use

Be mindful of the clamp's center of gravity when mounting heavy cameras, large lenses, boom arms or other accessories that shift the COG away from the clamp. Any variation from center may cause the clamp to shift position or fall causing damage to your equipment and the area around the clamp. Shallow clamp mounting position may damage installation base. Make sure to insert clamp unit all the way to the end. Be sure to operate the pole carefully while holding the tripod head or the camera.

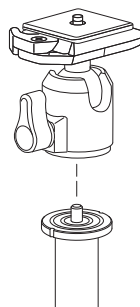
Pan head mounting post

🚫 Prohibition



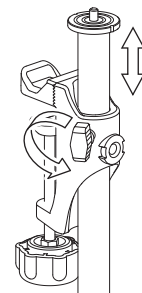
Do not attach a camera directly to the attachment screw of the pole. Attach the camera to the unit with a tripod head.

Tripod head installation



Screw a tripod head (or accessory) into the head attachment screw until it stops. Refer to your original tripod head (or accessory) instruction manual for installation instructions.

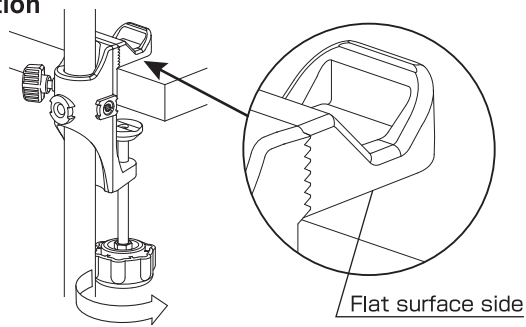
Pole height adjustment



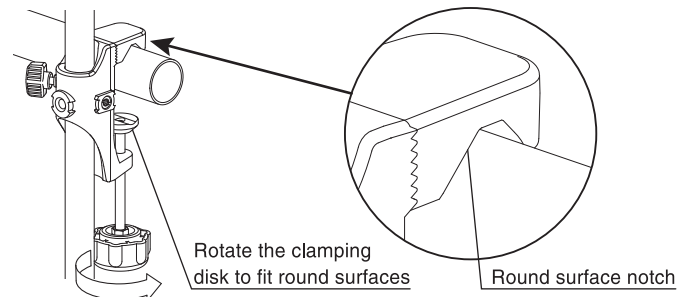
Pole height can be adjusted by loosening the pole locking knob. Be sure to adjust the pole height carefully while holding the tripod head or camera.

Clamp installation

⚠ Caution

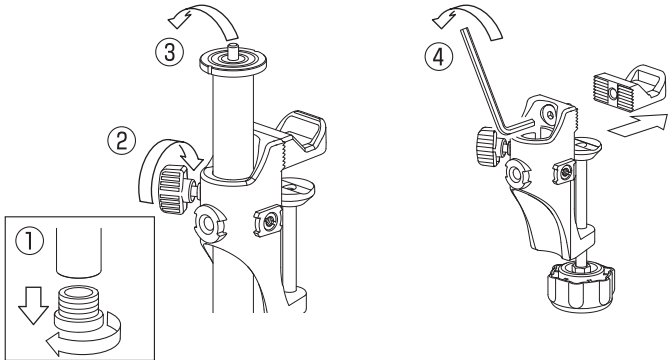


When attaching clamp to a desk, the flat surface side of the upper clamping jaw will touch the top surface of the desk. Check the strength of the desk or the installation base, insert the clamp unit all the way to the end, then tighten the clamp knob to fix the unit. Make sure the clamp unit is securely installed to the base, before use. If there is a risk of damaging or scratching the installation surface, insert the rubber plates (included) in between the clamping jaws.



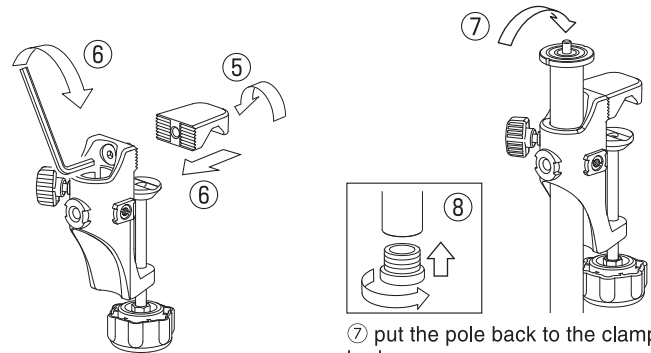
When attaching clamp to a round object like a pipe, the notched side of the upper clamping jaw will touch to the pipe. Double check the strength of the pipe before installation. Ensure the top jaw notch and the notch on the clamping disk align with the pipe direction when tightening. Make sure the clamp unit is securely installed to the pipe, before use. If there is a risk of damaging or scratching the installation surface, insert the rubber plates (included) in between the clamping jaws.

Rotate upper clamping jaw



If you want to rotate the upper clamping jaw, follow these steps:
 ① remove the pole stopper.
 ② loosen the pole locking knob.
 ③ pull the pole up.

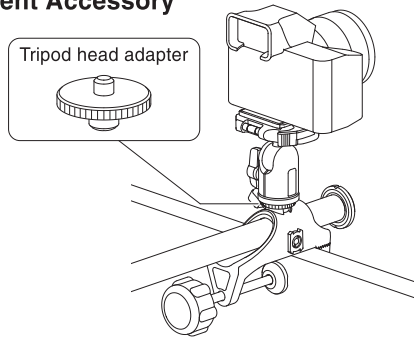
④ loosen the bolt with the hex wrench included to remove the upper clamping jaw.



⑤ rotate the upper clamping jaw.
 ⑥ Using the hex wrench, reattach the jaw to the base by aligning the jagged grooves then tighten the bolt.

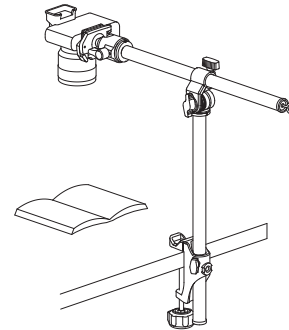
⑦ put the pole back to the clamp body.
 ⑧ reattach the pole stopper on the end.
 * The pole stopper prevents equipment from falling out of the clamp. Always keep pole stopper attached when in use.

Attachment Accessory



Attach the included tripod head adapter into the accessory hole. A camera or other accessory can be attached to the clamp's body via a tripod head (optional). Depending on the equipment to be installed, the center of gravity position may change significantly, so please check the stability of system before using. The weight of the equipment in use shall not exceed the max. loading capacity.

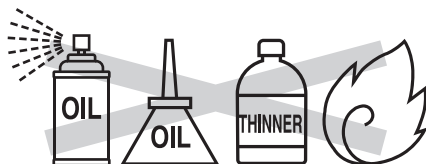
Optional items



Combine of optional Sliding Arm II with a tripod head for unique bird's-eye perspectives or macro photography. Depending on the equipment to be installed, the center of gravity position may change significantly, so please check the stability of system before using. The weight of the equipment to be installed shall within the max. loading capacity.

Care of the product

- DO NOT apply any grease or oil to this product.
- Clean with a mild detergent and a soft cloth only.
- DO NOT use the unit close to flame. Avoid extreme heat.



Slik Corporation reserves the right to make changes in design and/or improvements on the products without any obligation and advanced notice.

SLIK CORPORATION

853 Kayama, Hidaka City, Saitama 350-1231 Japan Phone 81-42-989-2141, Fax. 81-42-985-0210 ©2021

<http://slik.com/>