

SLIK® SH-747

Operating Instructions

Thank you very much for choosing SLIK product. SLIK Corporation has designed a sturdy, rugged, dependable product that will provide you with many years of satisfactory use. Please take a few moments to read this operating instruction manual carefully before use to take full advantage of the many fine features. Retain this operating instruction manual in case you might want to refer back to it.

⚠ Caution

This caution icon refers to information pertaining to important safety procedures in preventing injuries, or damages which may occur as a result of mishandling this product.

🚫 Prohibition

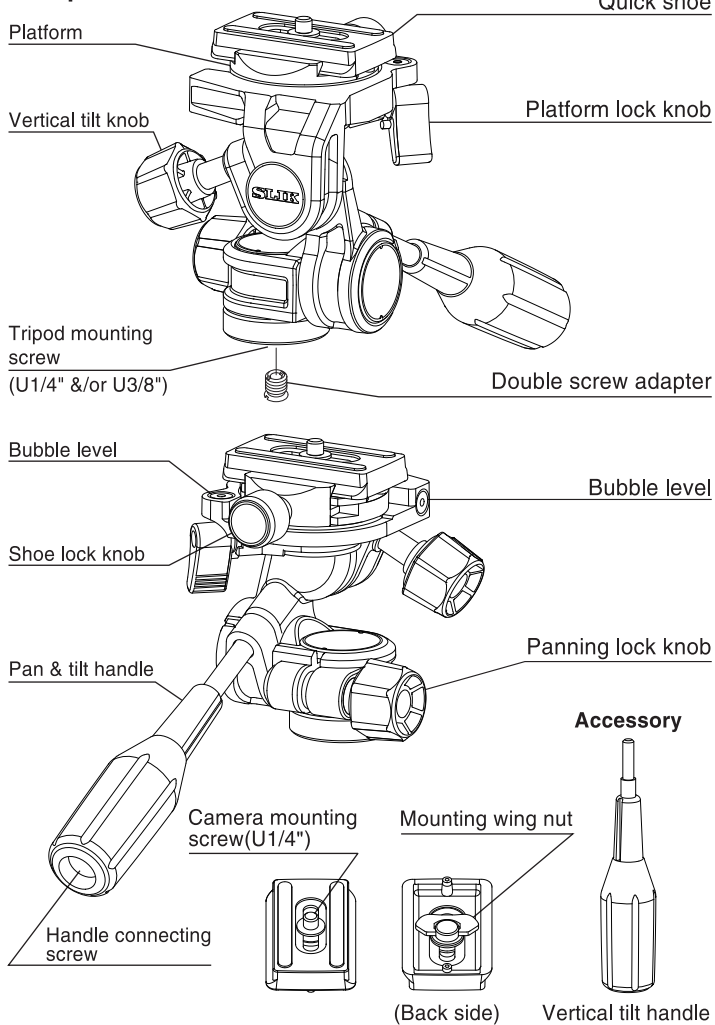
This prohibition icon refers to information pertaining to prohibited contents. Please refer to instruction closely to avoid accidents.

Specification

Height	115 mm (4.6 in)
Weight	645 g (1.43 lbs)
Camera mounting screw	U1/4"
Tripod mounting screw	U1/4" &/or U3/8"

W033

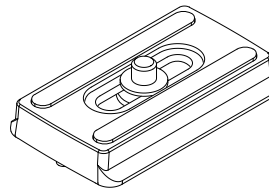
Components



※Bubble level is a rough criterion. It is not accurate as a leveler on a camera.

Optional accessory (Sold separately)

6507 Quick release shoe
Cat. No. 618-822



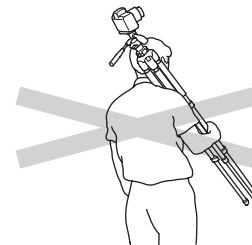
Equipment that can be loaded on this product

🚫 Prohibition

This product has been designed to handle equipment weighing under 7 kgs (15.4 lbs). Do not overload. Some equipment weighing under 7 kgs (15.4 lbs), such as long lenses, may not balance well due to unequal weight distribution. In such cases, please use a larger pan head.

Carrying the tripod

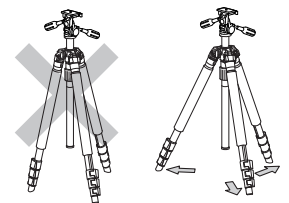
🚫 Prohibition



Carrying a tripod with a camera left on can result in unexpected accidents. We therefore recommend removing your camera while carrying your tripod.

Setting up

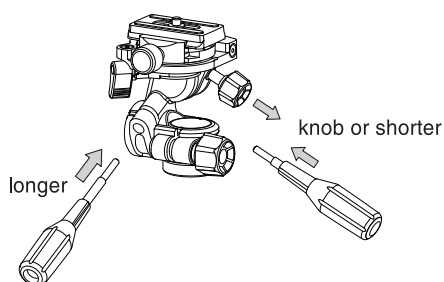
⚠ Caution



To prevent accidental equipment falls or tripod tipping over, make sure all levers, knobs and handles on the tripod are securely tightened and all three tripod legs are opened completely.

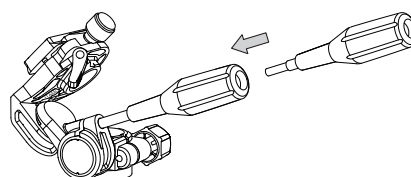
Install the pan handle

🚫 Prohibition



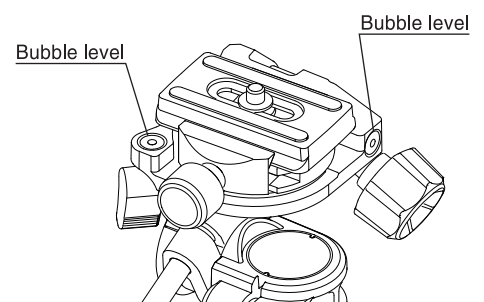
The longer pan handle should be installed to the rear of the head. The vertical tilt knob is pre-installed. It can be replaced with a shorter pan handle (included) for conventional use.

Storage



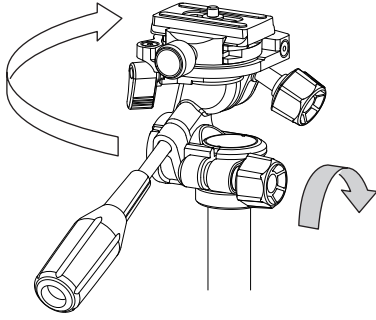
Remove the vertical tilt handle from the pan head, and screw into the back of the pan and tilt handle.

Bubble level



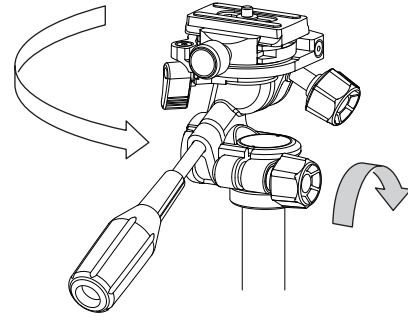
Adjust the level so that the bubble in inside of the marked circle.

Setting the pan head to the center column



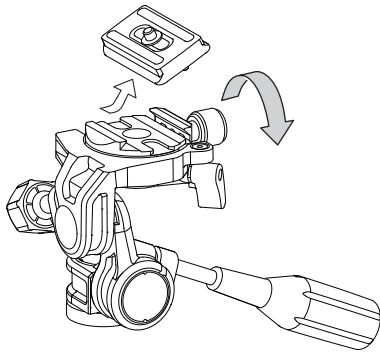
Set the head on the tripod's threaded post, and turn clockwise until it comes to a stop.
Tighten the panning lock knob and turn clockwise slightly more.

Removing the pan head from the center column

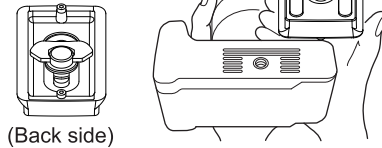


First, lock the panning lock knob, then grasp the pan, or vertical tilt handle and turn the head, counter-clockwise to loosen.

Attaching the camera to the quick release shoe

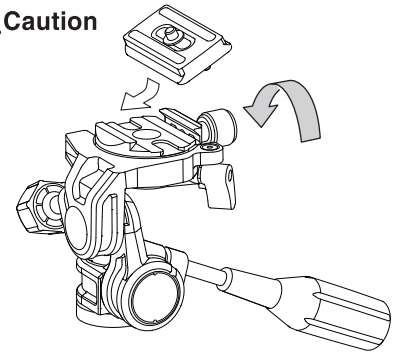


Remove the quick release shoe to loosen the shoe lock knob until the quick release shoe can be removed from the platform.



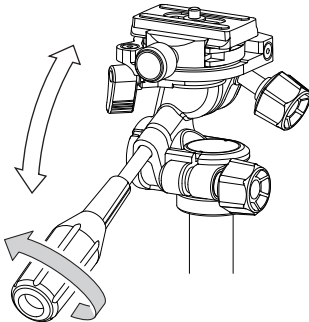
Screw the camera mounting screw on the tripod attachment screw of your camera and fix firmly.

⚠ Caution

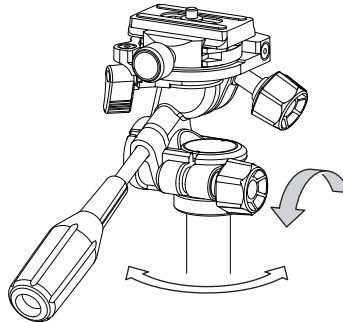


Fix the shoe lock knob firmly after inserting the quick release shoe to the platform. Please make sure the equipment is securely fixed to the pan head, before you use the pan head.

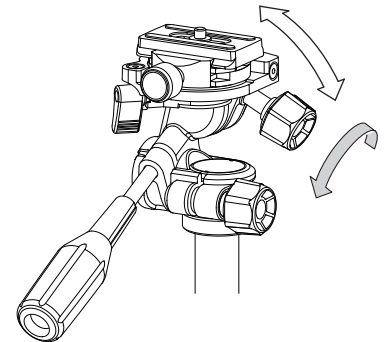
Using the pan head



Loosen the pan & tilt handle, and the head will tilt back and forth.

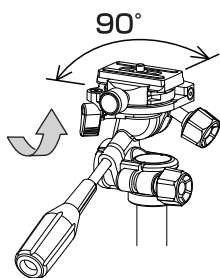


Loosen the panning lock knob, and the head will rotate horizontally.

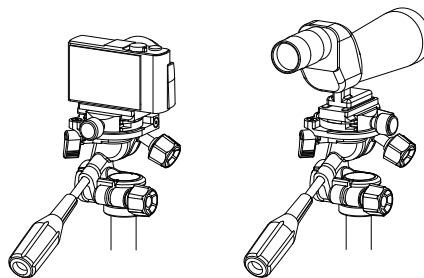


Loosen the vertical tilt knob or vertical tilt handle, and the level can be adjusted.

Platform rotation



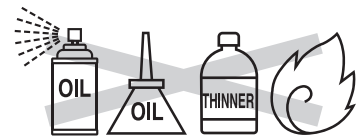
The platform rotates 90° when the platform lock knob is loosened. Once the camera is in place, fasten the platform lock knob.



For conventional use, the platform faces sideways, and the front is for using a field scope or telephoto lens that requires fore-aft COG adjustment.

Care of the product

- DO NOT apply any grease or oil to this product.
- Clean with a mild detergent and a soft cloth only.
- DO NOT use the unit close to flame. Avoid extreme heat.



Slik Corporation reserves the right to make changes in design and/or improvements on the products without any obligation and advanced notice.