

Operating Instructions

Thank you very much for choosing SLIK product. SLIK Corporation has designed a sturdy, rugged, dependable product that will provide you with many years of satisfactory use. Please take a few moments to read this operating instruction manual carefully before use to take full advantage of the many fine features. Retain this operating instruction manual in case you might want to refer back to it.

⚠ Caution

This caution icon refers to information pertaining to important safety procedures in preventing injuries, or damages which may occur as a result of mishandling this product.

🚫 Prohibition

This prohibition icon refers to information pertaining to prohibited contents. Please refer to instruction closely to avoid accidents.

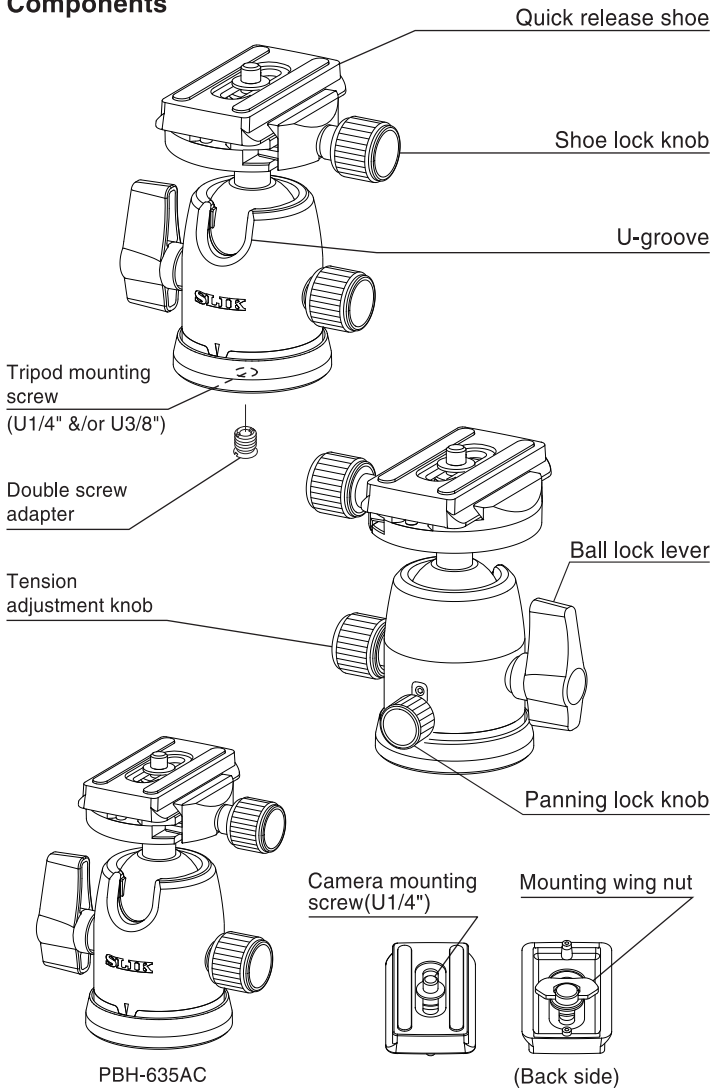
Specification

PBH-535AC	
Height	100 mm (4 in)
Weight	380 g (0.84 lbs)
Head mounting screw	U1/4"
Tripod mounting screw	U1/4" &/or U3/8"

PBH-635AC	
Height	105 mm (4.2 in)
Weight	485 g (1.07 lbs)
Head mounting screw	U1/4"
Tripod mounting screw	U1/4" &/or U3/8"

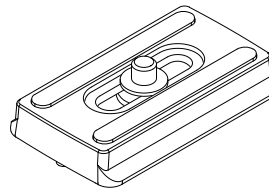
W049

Components



Optional accessory (Sold separately)

6507 Quick release shoe
Cat. No. 618-822



Equipment that can be loaded on this product

🚫 Prohibition

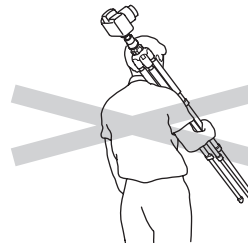
PBH-535AC
5 kgs (11 lbs)

PBH-635AC
6 kgs (13.2 lbs)

Do not overload. This product is been designed to support equipment weighing below the maximum load capacity. Some equipment weighing under the maximum load capacity may not balance well due to unequal weight distribution. In such cases, please use equipment with a higher load capacity.

Carrying the tripod

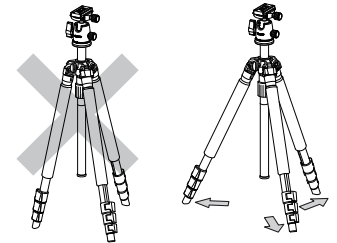
🚫 Prohibition



Carrying a tripod with a camera left on can result in unexpected accidents. We therefore recommend removing your camera while carrying your tripod.

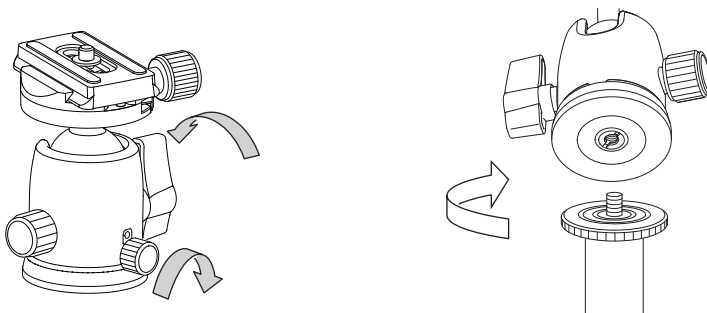
Setting up

⚠ Caution



To prevent accidental equipment falls or tripod tipping over, make sure all levers, knobs and handles on the tripod are securely tightened and all three tripod legs are opened completely.

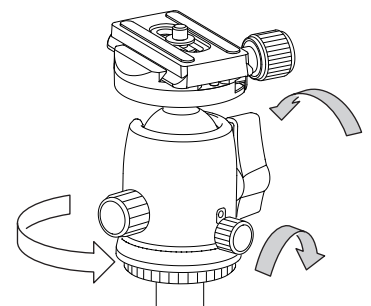
How to attach to tripod



Tighten the ball lock lever and pan lock knob. When a pan head attachment screw of the tripod is U3/8", remove the double screw adaptor.

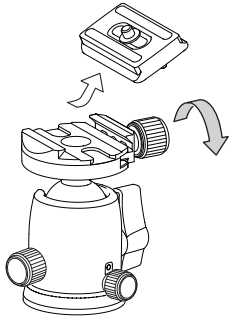
Make sure the tripod thread post matches the size of your head. A thread adapter is included when necessary.

Removing head from the center column

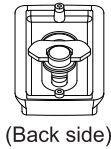


Tighten the ball lock lever and pan lock knob. Turn the head counter-clockwise to loosen.

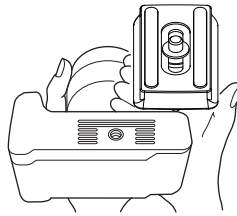
Attaching the camera to the quick release shoe



Remove the quick release shoe to loosen the shoe lock knob until the quick release shoe can be removed from the platform.

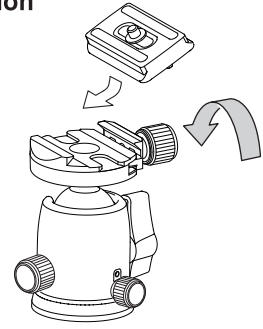


(Back side)



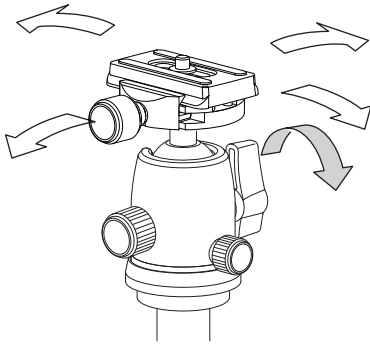
Screw the camera mounting screw on the tripod attachment screw of your camera and fix firmly.

⚠ Caution

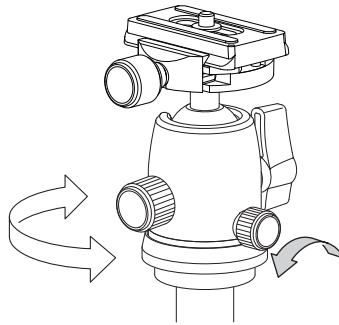


Fix the shoe lock knob firmly after inserting the quick release shoe to the platform. Please make sure the equipment is securely fixed to the ball head, before you use the ball head.

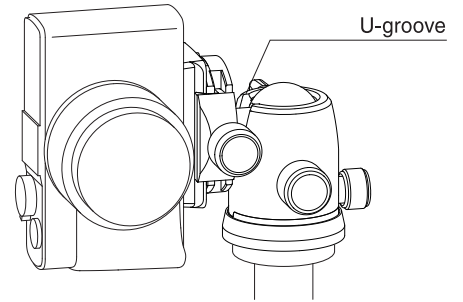
Operation



The platform can be moved freely when the ball fixing lever is loose. Tighten the ball fixing lever when a camera angle is determined.



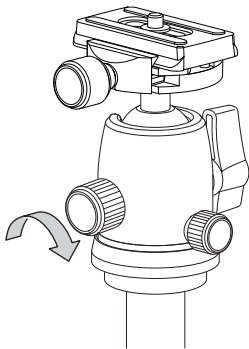
When the pan fixing knob is loose, the head rotates horizontally.



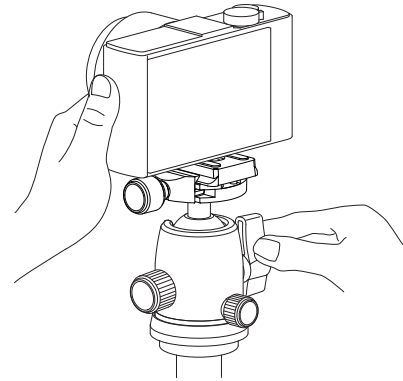
U-groove

To set vertical camera position, place the platform into U-groove.

⚠ Caution



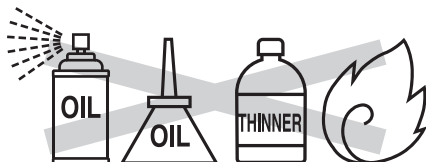
Friction is adjusted by the tension adjustment knob only when the ball fixing lever is loose.



Please hold onto the camera while adjusting the ball fixing lever to avoid accidental fall.

Care of the product

- DO NOT apply any grease or oil to this product.
- Clean with a mild detergent and a soft cloth only.
- DO NOT use close to flame. Avoid extreme heat.



Slik Corporation reserves the right to make changes in design and/or improvements on the products without any obligation and advanced notice.

SLIK CORPORATION

853 Kayama, Hidaka City, Saitama 350-1231 Japan Phone 81-42-989-2141, Fax. 81-42-985-0210 ©2021

<http://slik.com/>