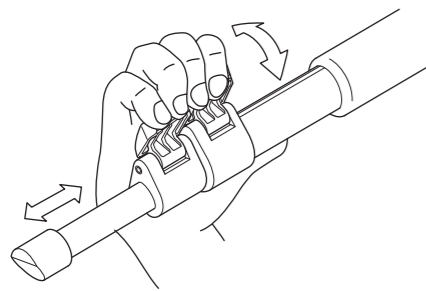


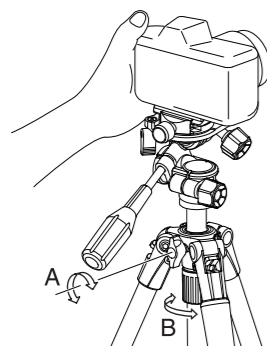
Extending/Folding of tripod legs



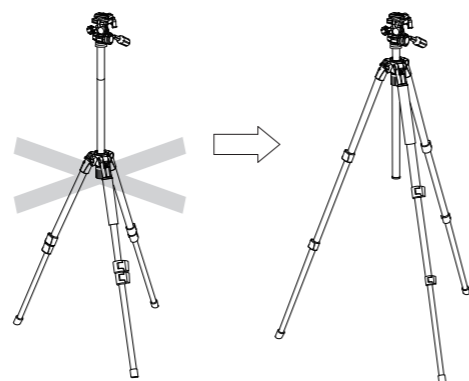
Flip up the leg lock lever to extend or shorten any of the individual leg sections to the desired length and press the leg lock lever flush against the leg to lock.

It is easier to extend the tripod legs if you turn the leg-tips to the foot, while leaving legs close.

How to use the center column

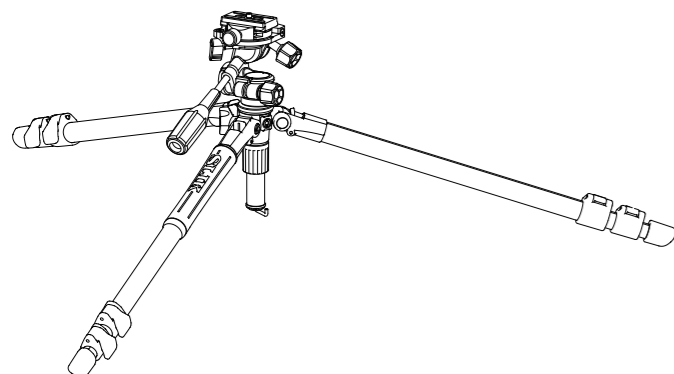


A - Screw-type
Center column stopper is used to lock or unlock center column.
B - Twist-type
Center column locking nut is used to adjust a tension of the movement.
The both of A and B must be locked for fixing center column.

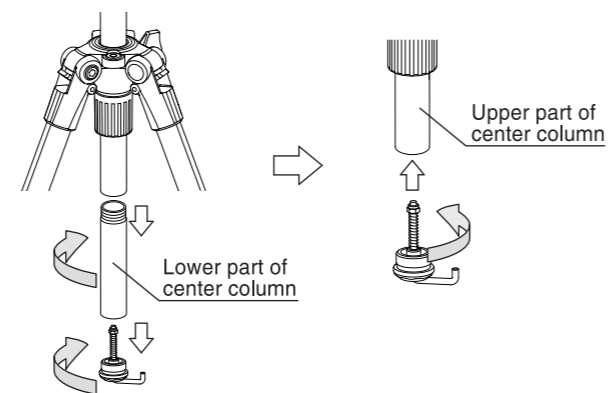


To avoid unnecessary camera vibrations, try to keep the center column height to a minimum. Also use the larger legs first when extending the legs.

How to get low position shots

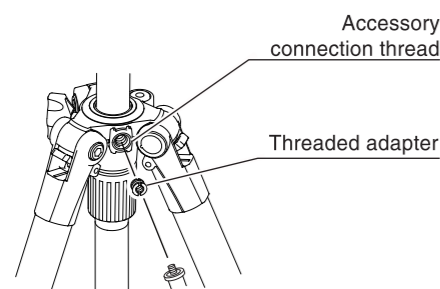


You can get lower height.



Remove the center column base stopper and then, remove the lower part of center column. Put the center column base stopper on the upper part of center column.

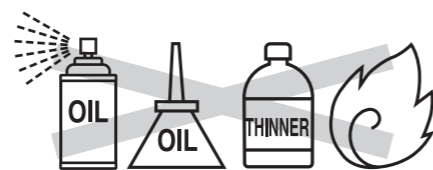
Accessory connection thread



The tripod has 1/4" (if you take off the threaded adapter, 3/8") female thread which can be used to attach accessories, such as a light, a monitor, etc.

Care of the tripod

- DO NOT apply any grease or oil to this product.
- Clean with a mild detergent and a soft cloth only.
- DO NOT use close to flame. Avoid extreme heat.



Slik Corporation reserves the right to make changes in design and/or improvements on the products without any obligation and advanced notice.

SLIK® PRO AL-523-3W

Specification

Folded length	665mm (26.2 in)
Max. operating height	1,690mm (66.5 in)
Max. center column ext.	320mm (12.5 in)
Weight	2,355g (5.2 lbs)

Operating Instructions

Thank you very much for choosing SLIK product. SLIK Corporation has designed a sturdy, rugged, dependable product that will provide you with many years of satisfactory use. Please take a few moments to read this operating instruction manual carefully before use to take full advantage of the many fine features. Retain this operating instruction manual in case you might want to refer back to it.

⚠ Caution

This caution icon refers to information pertaining to important safety procedures in preventing injuries, or damages which may occur as a result of mishandling this product.

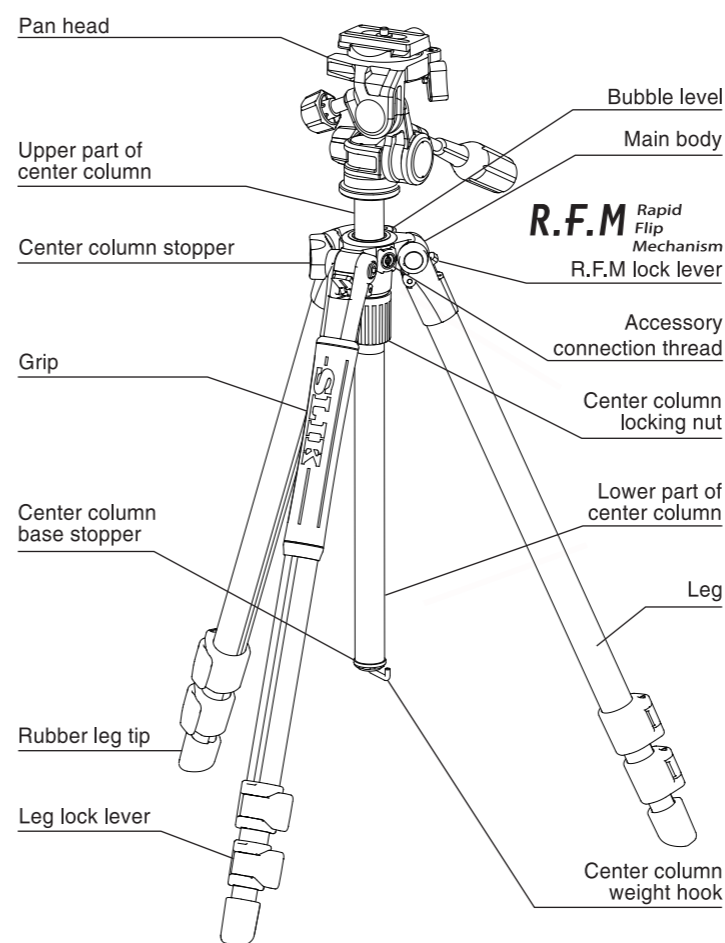
🚫 Prohibition

This prohibition icon refers to information pertaining to prohibited contents. Please refer to instruction closely to avoid accidents.

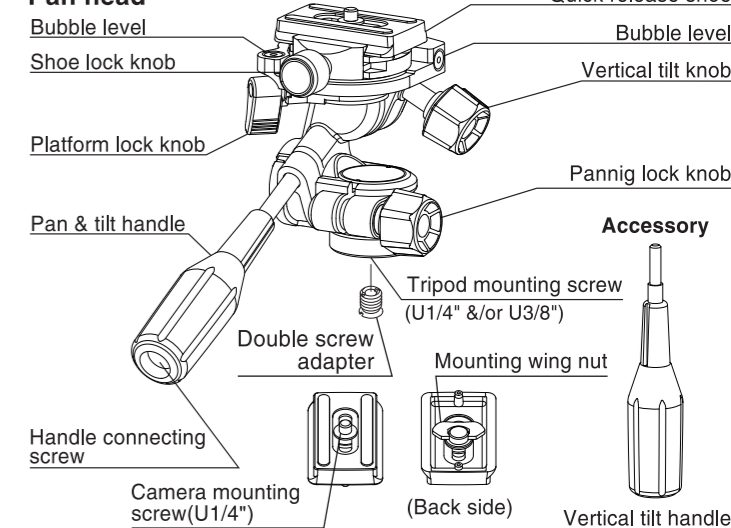
With exclusive case

W231-1

Components

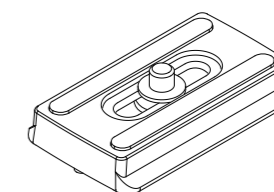


Pan head



Optional accessory (Sold separately)

6507 Quick release shoe
Cat. No. 618-822



Equipment that can be loaded on this tripod

🚫 Prohibition

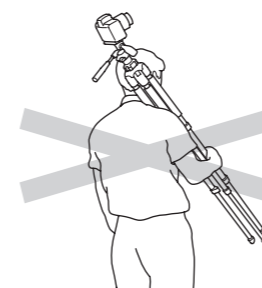
This product has been designed to handle equipment weighing under 6 kgs (13.2 lbs). Do not overload. Some equipment weighing under 6 kgs (13.2 lbs), such as long lenses, may not balance well due to unequal weight distribution. In such cases, please use a larger pan head.

⚠ Caution

※Bubble level on the tripod is a rough criterion. It's not so accurate as a level on a camera.

Carrying the tripod

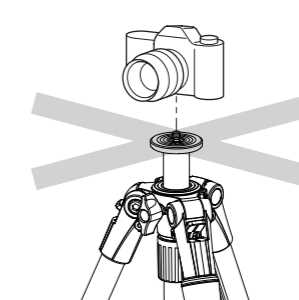
🚫 Prohibition



Carrying a tripod with a camera left on can result in unexpected accidents. We therefore recommend removing your camera while carrying your tripod.

Pan head attachment screw

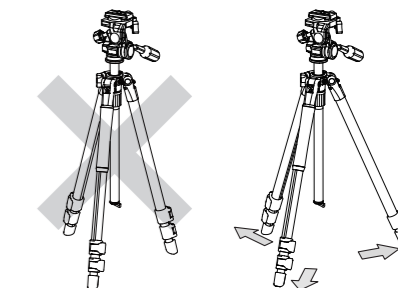
🚫 Prohibition



Do not attach a camera directly to the pan head attachment screw of the center column. This may damage both your camera and tripod.

Setting up

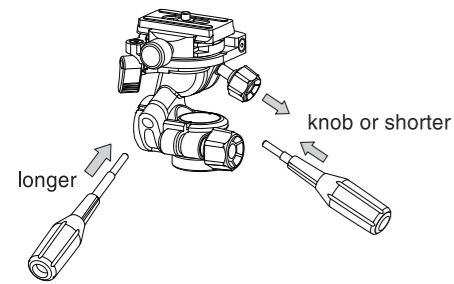
⚠ Caution



To prevent accidental equipment fall or tripod tipping over, making sure all levers, knobs and handles on the tripod are securely tightened. And all of the three legs are opened completely.

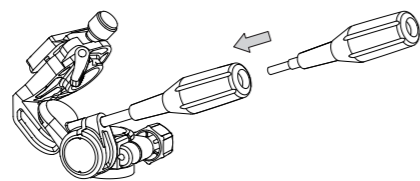
Install the pan handle

⊘ Prohibition



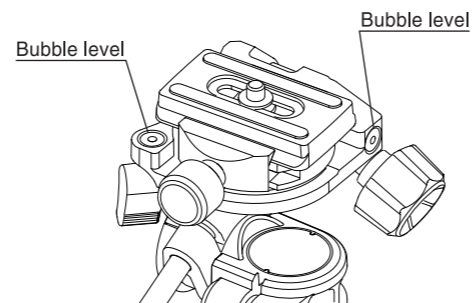
The longer pan handle should be installed to the rear of the head. The vertical tilt knob is pre-installed. It can be replaced with a shorter pan handle (included) for conventional use.

Storage



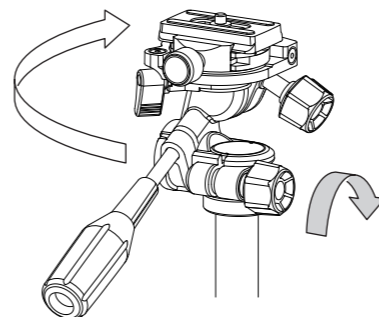
Remove the vertical tilt handle from the pan head, and screw into the back of the pan and tilt handle.

Bubble level



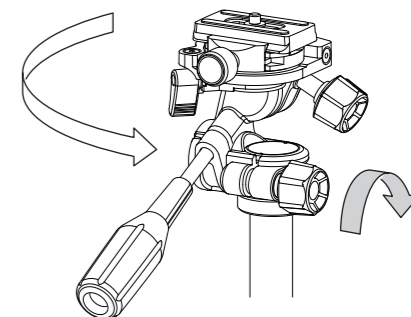
Adjust the level so that the bubble in inside of the marked circle.

Setting the pan head to the center column



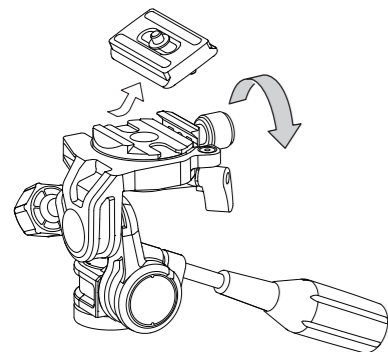
Set the head on the tripod's threaded post, and turn clockwise until it comes to a stop. Tighten the panning lock knob and turn clockwise slightly more.

Removing the pan head from the center column

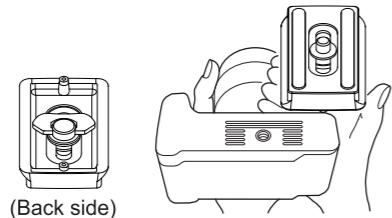


First, lock the panning lock knob, then grasp the pan, or vertical tilt handle and turn the head, counter-clockwise to loosen.

Attaching the camera to the quick release shoe

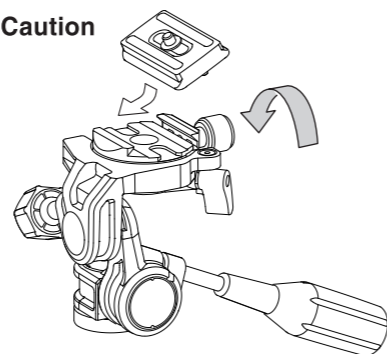


Remove the quick release shoe to loosen the shoe lock knob until the quick release shoe can be removed from the platform.



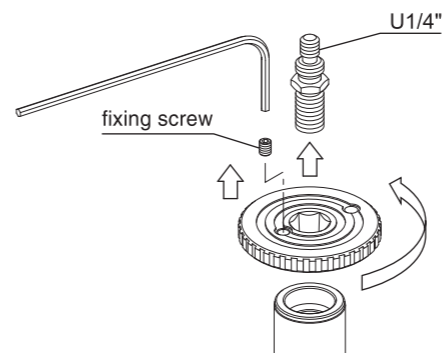
Screw the camera mounting screw on the tripod attachment screw of your camera and fix firmly.

⚠ Caution

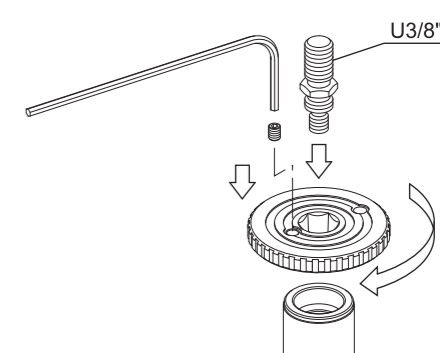


Fix the shoe lock knob firmly after inserting the quick release shoe to the platform. Please make sure the equipment is securely fixed to the pan head, before you use the pan head.

How to change the pan head attachment screw

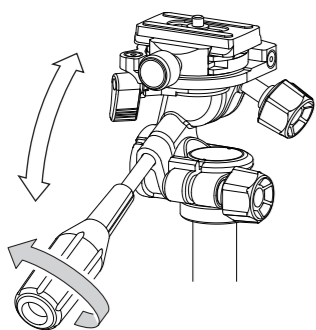


To change the U3/8" screw, loosen the fixing screw with an allen wrench (2.5mm width) and rotate the center column plate to remove from the center column.

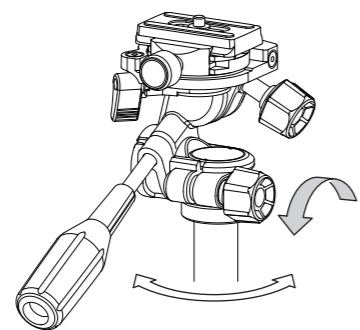


Flip the pan head attachment screw and put back to the center column plate. Screw in the center column plate and the pan head attachment screw. Tighten the fixing screw to avoid rotating the center column plate while in use.

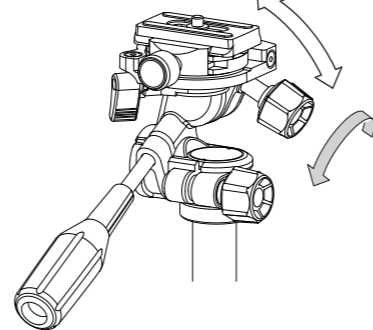
Using the pan head



Loosen the pan & tilt handle, and the head will tilt back and forth.

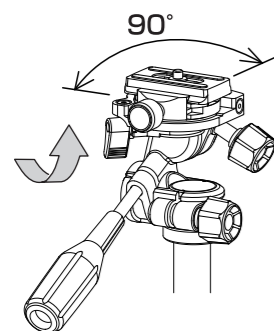


Loosen the panning lock knob, and the head will rotate horizontally.

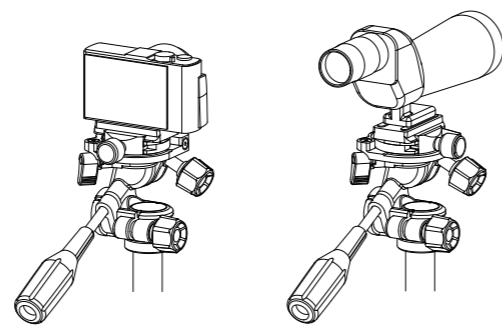


Loosen the vertical tilt knob or vertical tilt handle, and the level can be adjusted.

Platform rotation

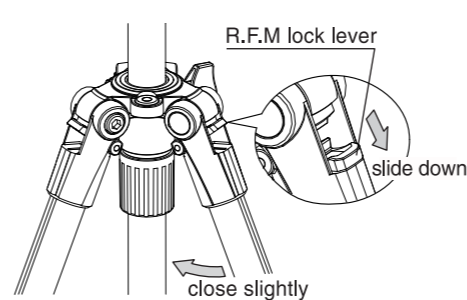


The platform rotates 90° when the platform lock knob is loosened. Once the camera is in place, fasten the platform lock knob.

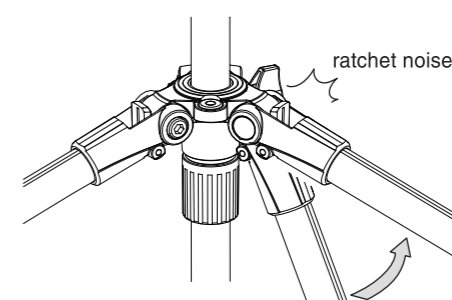


For conventional use, the platform faces sideways, and the front is for using a field scope or telephoto lens that requires fore-aft COG adjustment.

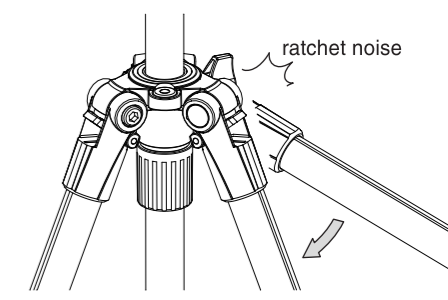
R.F.M Three position adjustable legs



Close the leg slightly and slide the R.F.M lock lever down.



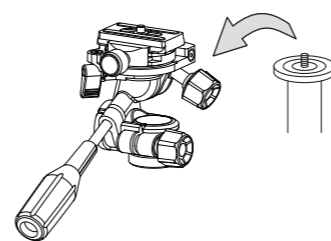
Move the leg up slowly, it will make a ratchet noise at a certain point. This position is the low position.



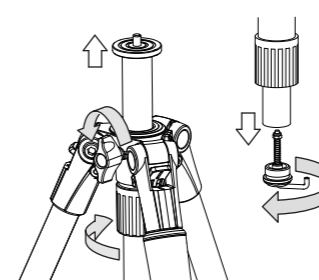
Close the leg further, a middle position or regular leg position can be chosen.

Inverting the center column

⚠ Caution

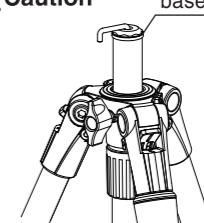


Remove the pan head when inverting or replacing the center column.

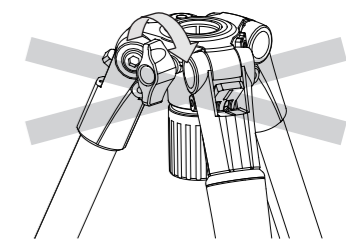


Remove the center column base stopper from the bottom of the center column. Loosen the center column locking nut and the center column stopper, and then pull out the center column.

⚠ Caution



Insert the center column from the bottom of main body, and tighten the center column locking nut and the center column stopper. Make sure to re-attach the center column base stopper in order to prevent the center column falling out accidentally.



Please do not turn the center column stopper without a center column &/or an optional short center column. The internal parts may be damaged.