

# SLIK® SBH-100AC

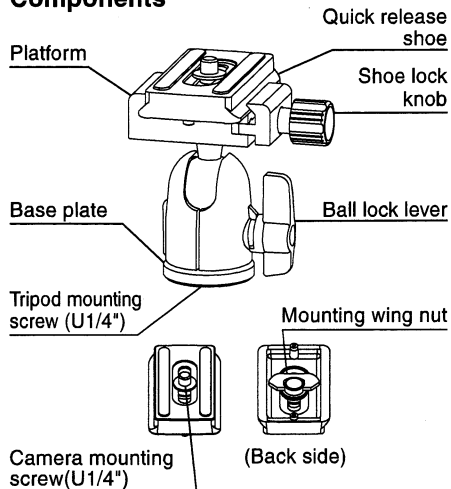
## Operating Instructions

Thank you very much for choosing SLIK product. SLIK Corporation has designed to be a sturdy, rugged, dependable product that will provide you with many years of satisfactory use. Please take a few moments to read this operating instruction carefully before use so that you can take full advantage of many fine features. Retain this operating instruction in case you might want to refer back to it.

**⚠ Caution** This caution icon refers to information pertaining to important safety procedures in preventing injuries, or damages which may occur as a result of mishandling this product.

**🚫 Prohibition** This prohibited icon refers to information pertaining to prohibited contents. Please refer to instructions closely to avoid accidents.

## Components

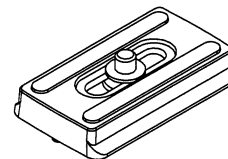


## Specification

Height	75 mm (3 in)
Weight	185 g (0.41 lbs)
Tripod mounting screw	U1/4"
Camera mounting screw	U1/4"
Load capacity	2 kg (4.4 lbs)

## Optional accessory

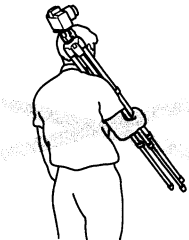
**6507 Quick release shoe**  
Cat. No. 618-822



W291

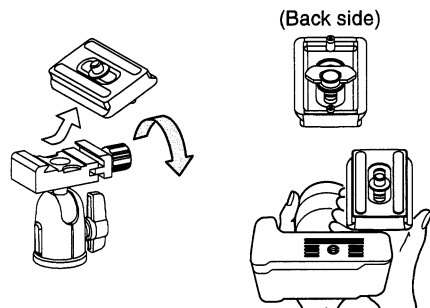
## Carrying the tripod

### 🚫 Prohibition



Carrying a tripod with a camera left on can result in unexpected accidents. We therefore, recommend you to remove your camera while carrying the tripod.

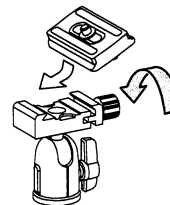
## Attaching the camera to the quick release shoe



Remove the quick release shoe to loosen the shoe lock knob until the quick release shoe can be removed from the platform.

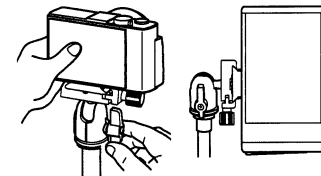
Screw the camera mounting screw on the tripod attachment screw of your camera and fix firmly.

### ⚠ Caution



Fix the shoe lock knob firmly after inserting the quick release shoe to the platform. Please make sure the equipment is securely fixed to the ball head, before you use the ball head.

## Using the ball head



A camera can be moved freely while the ball lock lever is loosened. Tighten the ball lock lever when a camera angle is determined.