

SLIK® MINI-PRO BHAC

Operating Instructions

Thank you very much for choosing SLIK product. SLIK Corporation has designed a sturdy, rugged, dependable product that will provide you with many years of satisfactory use. Please take a few moments to read this operating instruction manual carefully before use to take full advantage of the many fine features. Retain this operating instruction manual in case you might want to refer back to it.

⚠ Caution

This caution icon refers to information pertaining to important safety procedures in preventing injuries, or damages which may occur as a result of mishandling this product.

🚫 Prohibition

This prohibition icon refers to information pertaining to prohibited contents. Please refer to instruction closely to avoid accidents.

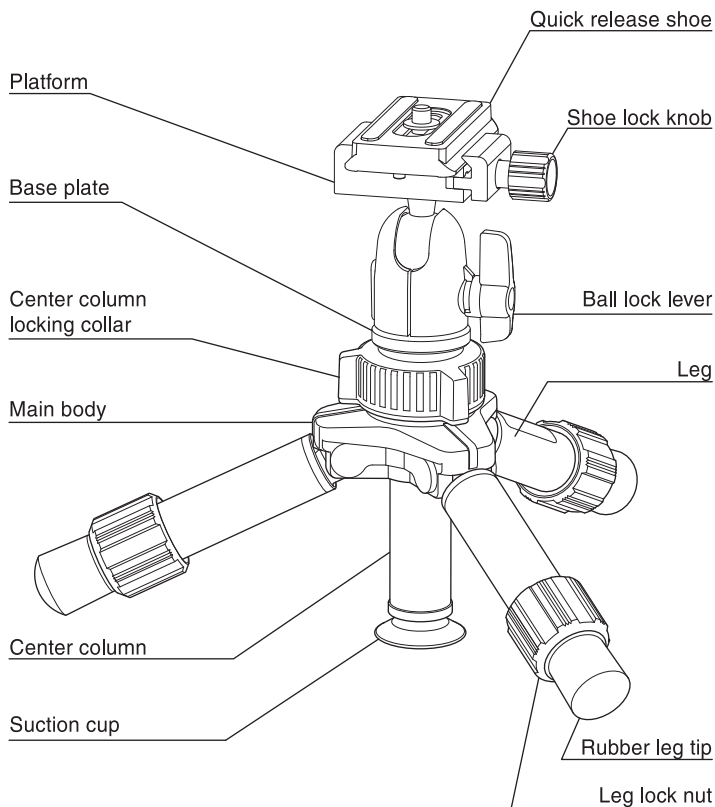
Specification

Max. operating height	230 mm (9 in)
Folded length	205 mm (8.1 in)
Max. center column ext.	45 mm (1.7 in)
Weight	405 g (0.9 lbs)

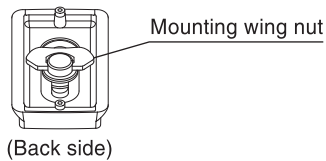
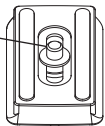
With exclusive case

W312

Components

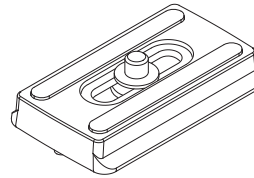


Camera mounting screw(U1/4")



Optional accessory

6507 Quick release shoe
Cat. No. 618-822



Carrying the tripod

🚫 Prohibition

Carrying a tripod with a camera left on can result in unexpected accidents. We therefore, recommend you to remove your camera while carrying the tripod.

Equipment that can be loaded on this product

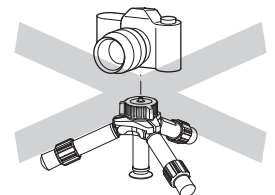
🚫 Prohibited

Maximum loading capacity :
1 kgs (2.2 lbs)

Do not overload. This product has been designed to handle equipment weighing under the maximum load capacity. Some equipment weighing under the maximum load capacity may not balance well due to its weight distribution. Use a larger tripod or head in such case.

Pan head attachment screw

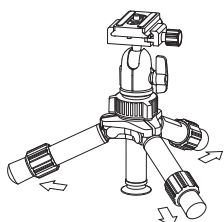
🚫 Prohibition



Do not attach a camera directly to the pan head attachment screw of the center column. This may damage both your camera and tripod.

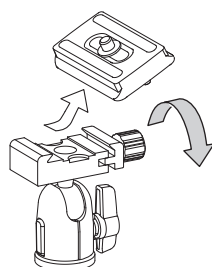
Setting up

⚠ Caution



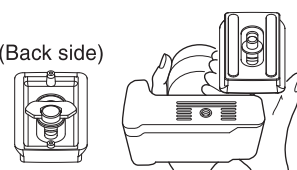
To prevent accidental falls or tripod tipping over, making sure all levers, knobs and handles on the tripod are securely tightened. And all of the three legs are opened all the way.

Attaching the camera to the quick release shoe



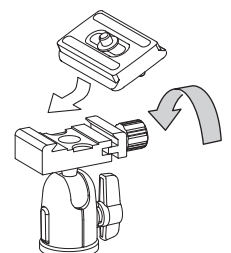
Remove the quick release shoe to loosen the shoe lock knob until the quick release shoe can be removed from the platform.

(Back side)



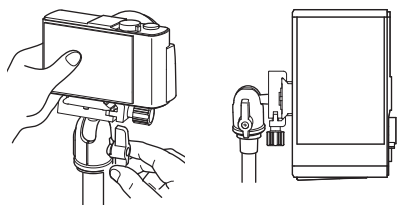
Screw the camera mounting screw on the tripod attachment screw of your camera and fix firmly.

⚠ Caution



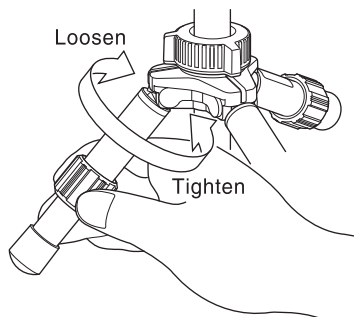
Fix the shoe lock knob firmly after inserting the quick release shoe to the platform. Please make sure the equipment is securely fixed to the ball head, before you use the ball head.

Using the ball head



A camera can be moved freely while the ball lock lever is loosened. Tighten the ball lock lever when a camera angle is determined. Make sure to hold your camera while operating the ball lock lever.

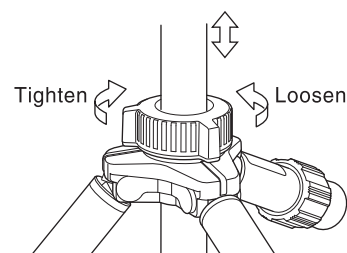
Extending the tripod legs



To extend any leg, turn the leg lock nut one half turn counter-clockwise.

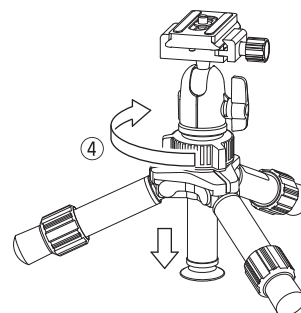
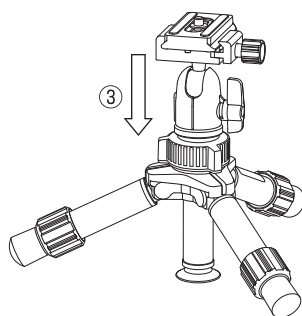
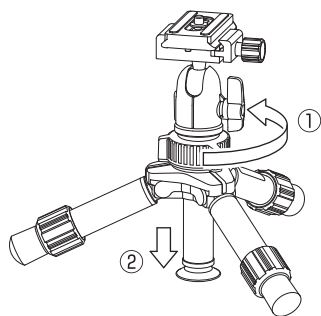
Extending the center column

⚠ Caution



Hold onto the ball head with one hand, and loosen the center column locking collar with the other hand. Raise or lower ball head to the desired height, and tighten the locking collar.

Using the suction cup



① Loosen the center column locking collar.

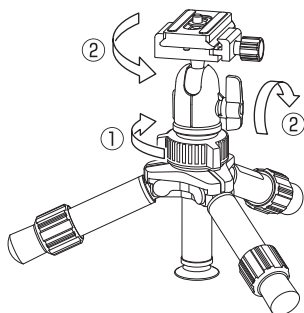
② Place the suction cup against a smooth surface.

Note: The surface must be smooth and flat to use the suction cup.

③ Press the tripod down against the surface and pull the center column up slightly.

④ Lock the center column locking collar.

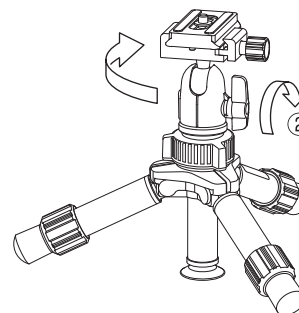
Removing the ball head



① Use the following instructions if you wish to change heads, or attach accessories.

② First, lock the ball lock knob, then grasp the ball head and turn the head, counter-clockwise to loosen.

Attaching the ball head

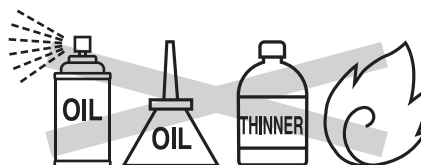


Set the new head, on the pan head attachment screw, and turn clockwise until it comes to a stop.

Tighten the ball lock knob and turn clockwise slightly more.

Care of the Tripod

- DO NOT apply any grease or oil to this product.
- Clean with a mild detergent and a soft cloth only.
- DO NOT use close to flame. Avoid extreme heat.



Slik corporation reserves the right to make changes in design and/or improvements on the products without any obligation and advanced notice.