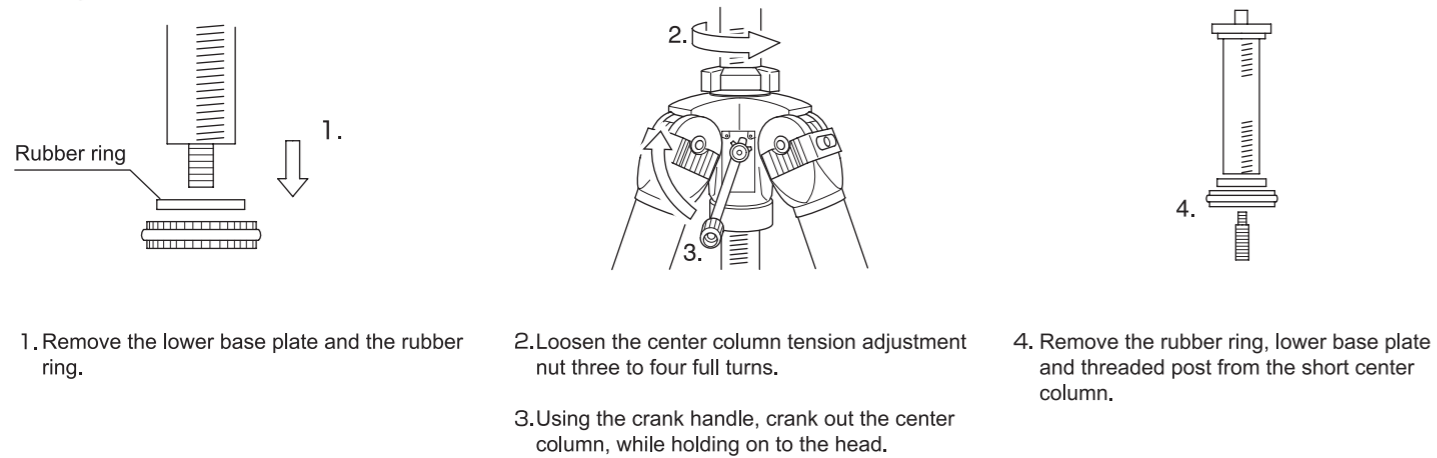
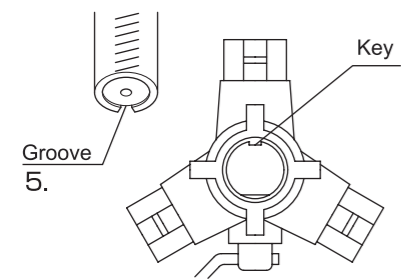


Using the short center column

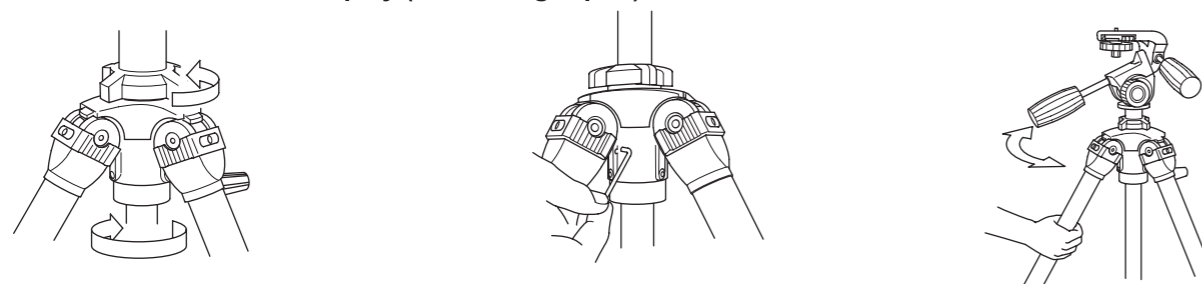


1. Remove the lower base plate and the rubber ring.
2. Loosen the center column tension adjustment nut three to four full turns.
3. Using the crank handle, crank out the center column, while holding on to the head.
4. Remove the rubber ring, lower base plate and threaded post from the short center column.



5. Match the groove of the short center column to the key guide inside the body of the tripod. Check to be sure this is perfectly matched.
6. Turn the crank handle to engage the gear on the short center column. Check to be sure operation is smooth. If not, recheck positioning as described in (5).
7. Set the rubber ring, base plate and the threaded post back to the short center column.
8. Be sure to attach the rubber ring and base plate to the center column that you just removed to prevent loss.

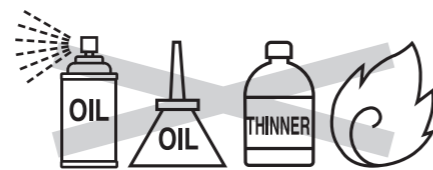
Adjustment of the center column play (after using tripod)



- Adjustment of the center column play can be accomplished by locking a screw with the enclosed allen wrench.
1. Unlock center column tension adjustment nut and lower tension adjustment nut.
 2. Insert enclosed allen wrench into wrench hole and tighten the screw.
 3. Turn the crank handle to check the tightness of the center column. Also check for any play by moving the head while keeping the legs steady.
 4. If the center column is too tight, use the allen wrench to loosen the screw and adjust.

Care of the Tripod

- DO NOT apply any grease or oil to this product.
- Clean with a mild detergent and a soft cloth only.
- DO NOT use close to flame. Avoid extreme heat.



Slik corporation reserves the right to make changes in design and/or improvements on the products without any obligation and advanced notice.

SLIK®

PROFESSIONAL II-LE NS

Operating Instructions

Thank you very much for choosing SLIK product. SLIK Corporation has designed a sturdy, rugged, dependable product that will provide you with many years of satisfactory use. Please take a few moments to read this operating instruction manual carefully before use to take full advantage of the many fine features. Retain this operating instruction manual in case you might want to refer back to it.

⚠ Caution

This caution icon refers to information pertaining to important safety procedures in preventing injuries, or damages which may occur as a result of mishandling this product.

🚫 Prohibition

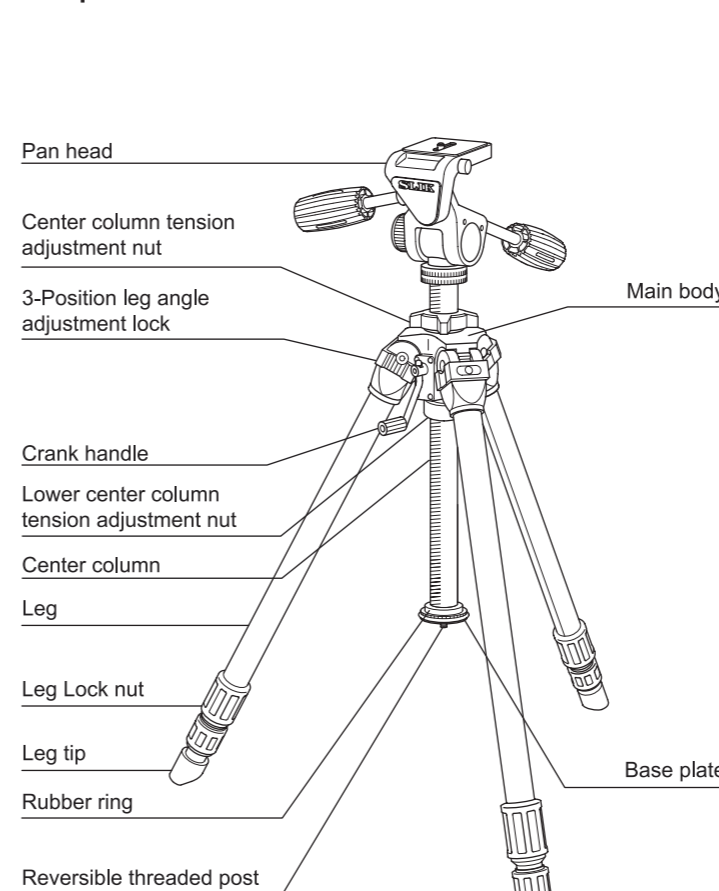
This prohibited icon refers to information pertaining to prohibited contents. Please refer to instructions closely to avoid accidents.

Specifications:

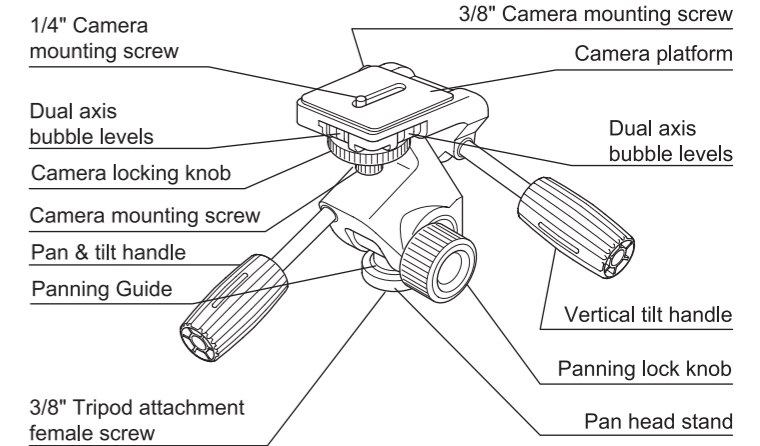
Folded length	810mm (31.9 in)
Max. operating height	1,835mm (72.2 in)
Max. center column ext.	285mm (11.2 in)
Weight	4,700g (10.4 lbs)

W368

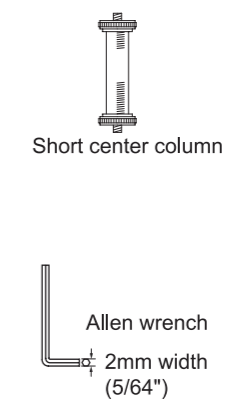
Components



Pan head

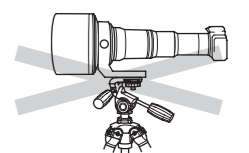


Accessories



Equipment that can be loaded on this tripod

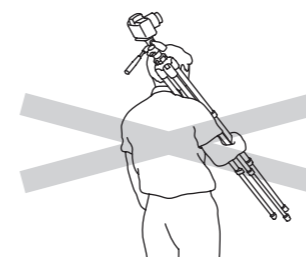
🚫 Prohibition



This product has been designed to handle equipment weighing under 10 kgs (22 lbs). Do not overload. Some equipments weighing under 10 kgs (22 lbs), such as long lenses, may not balance well due to its weight distribution. In such case, please use a larger tripod.

Carrying the tripod

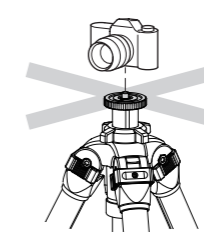
🚫 Prohibition



Carrying a tripod with a camera left on can result in unexpected accidents. We therefore, recommend you to remove your camera while carrying the tripod.

Pan head attachment screw

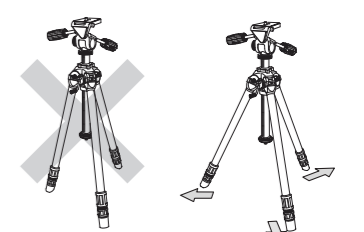
🚫 Prohibition



Do not attach a camera directly to the pan head attachment screw of the center column. This may damage both your camera and tripod.

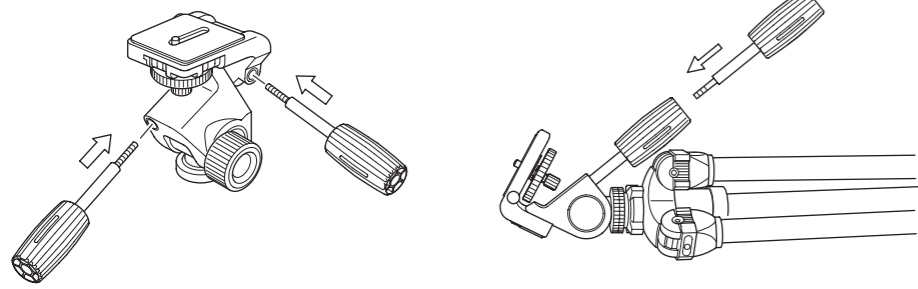
Setting up

⚠ Caution



To prevent accidental equipment fall or tripod tipping over, making sure all levers, knobs and handles on the tripod are securely tightened. And all of the three legs are opened completely.

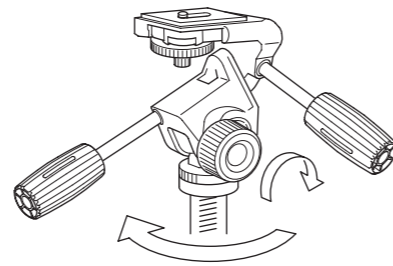
Install the pan handles



Attach the two handles to the pan head as shown. Two handles are same length. It can be attached to either.

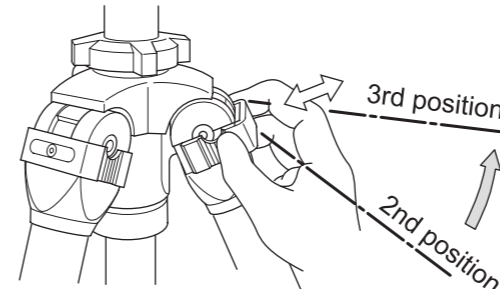
The vertical tilt handle can be installed to the pan & tilt handle by screwing from rear of the handle as shown here.

Setting the pan head to the center column

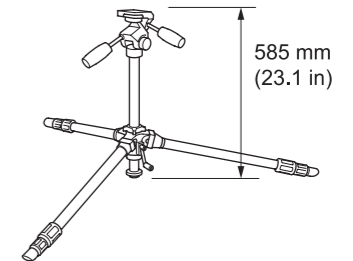


Set the pan head on the threaded post, and turn clockwise until it comes to a stop. Tighten the panning lock knob and turn clockwise slightly more.

Three-position adjustable legs

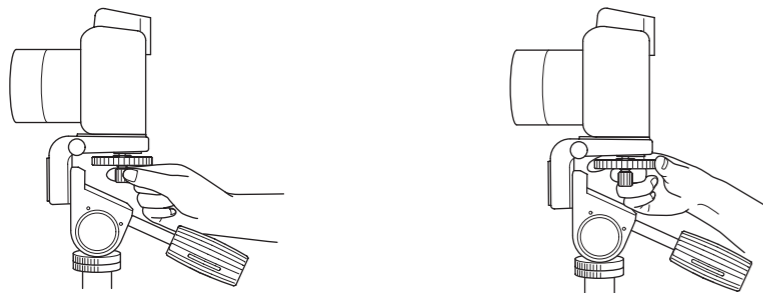


When opening each leg, it will stop at the first (standard) position. To change the angle of each leg, move the leg a little closer to the center column and pull the leg angle adjustment lock out one click. The leg will be released and can be opened to the second position. To move to the third position, again pull the leg angle adjustment lock out one click.



After choosing the desired leg angle, securely push in the adjustment lock. When all legs are opened fully, the lowest position is 585 mm (23.1 in) from the ground.

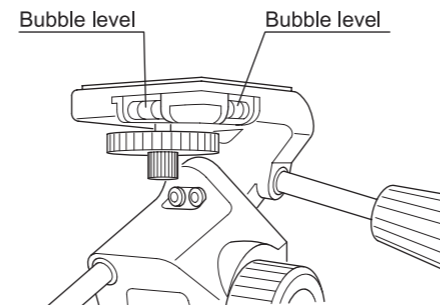
Attaching a camera



Hold the camera firmly, and turn the camera mounting screw to engage the threads.

Lock the camera tightly with the knurled camera locking knob.

Bubble levels



Two bubble levels are built-in for vertical and horizontal positioning.

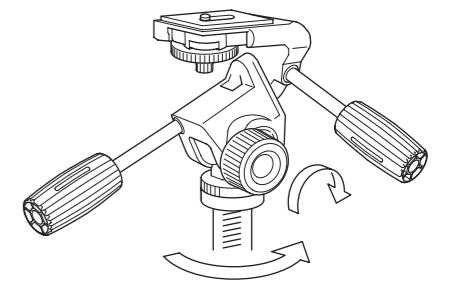
Extending legs



Loosen the Leg lock nut by rotating one half turn. Because leg are grooved, the Leg lock nut can be loosened in any order.

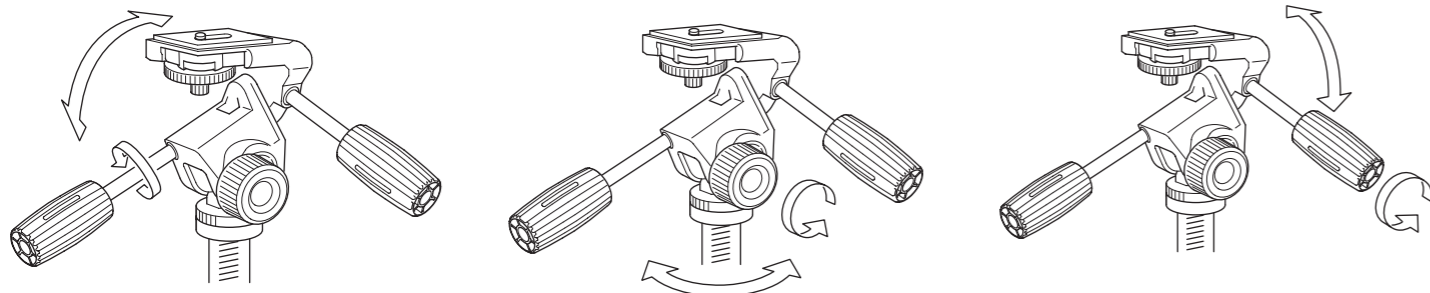
The second section, from the top, in each leg has reference marks every 100 mm for precise height adjustment.

Removing the pan head from the center column



Lock the panning lock knob tightly, then grasp the pan handle and turn the head counter-clockwise to loosen. Then loosen the panning lock knob and it will be easy to unscrew the head by rotating the base of the head counter-clockwise.

Using the pan head

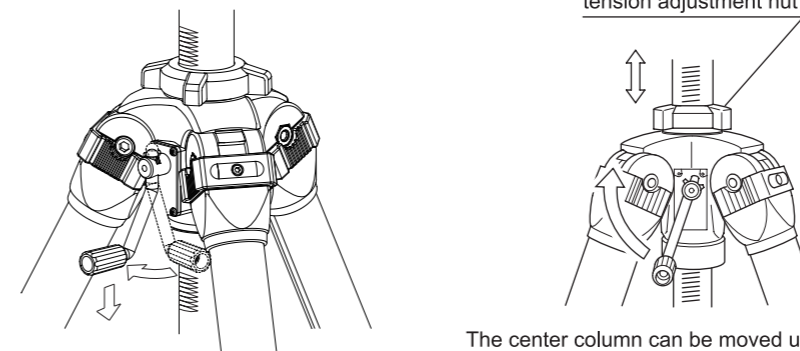


Loosen the pan & tilt handle, and the head can be moved freely front to rear.

Loosen the panning lock knob, and the head can be rotated horizontally.

Loosen the vertical tilt handle and the level can be adjusted. The pan head is specially lubricated for smooth movement.

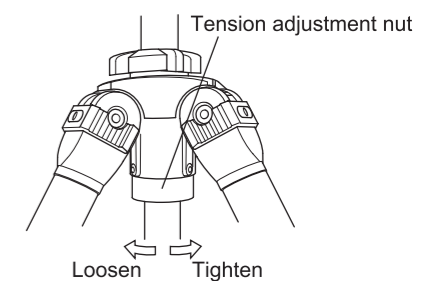
How to use the center column



Grasp the knob and turn the knob toward you. Then pull it down and fix the crank handle into position.

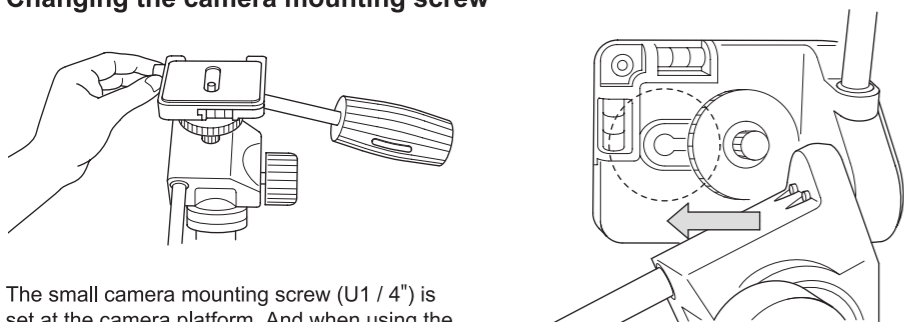
The center column can be moved up and down by turning the crank handle. The center column tension adjustment nut adjusts the tightness of the column and helps prevent vibration.

Lower center column tension adjustment nut



The lower center column tension adjustment nut is used when necessary to adjust the tightness of the center column.

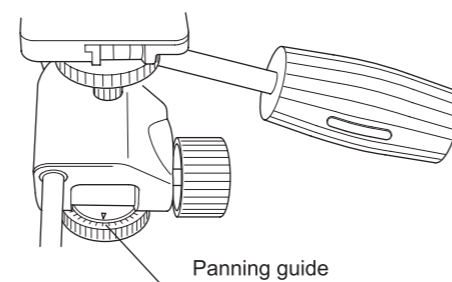
Changing the camera mounting screw



The small camera mounting screw (U1 / 4") is set at the camera platform. And when using the large camera mounting screw (U3 / 8"), pick up the large screw from spare hole on the side of the camera platform, replace it by the small screw. The removed small screw shall be set into the spare hole.

Remove the camera mounting screw through the large end of the mounting track. It's a good idea to tighten the camera locking knob when a camera is not attached to prevent loss of the mounting screws.

Panning guide



The rotatable scale at the base of the pan head makes it easy to set exact shooting angle. To begin, set the mark at the base of the pan head on "0".

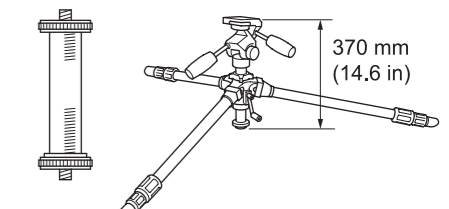
Reversible threaded posts



The threaded post on the upper end of the center column is 3/8". The threaded post on the lower end of the center column is reversible, 1/4" and 3/8". If 1/4" post is needed at the top, reverse the center column itself. (see "Using the short center column")

To reverse the post, first loosen the base plate. Then remove the post, reverse it, and reinsert it. Retighten the base plate. Note: When reversing the lower threaded post, move the rubber ring up first.

Short center column



For the lowest possible camera angle with the legs fully spread, the short center column makes the lowest position 370 mm (14.6 in) from the ground.