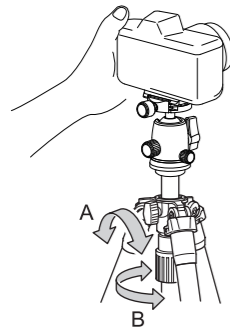
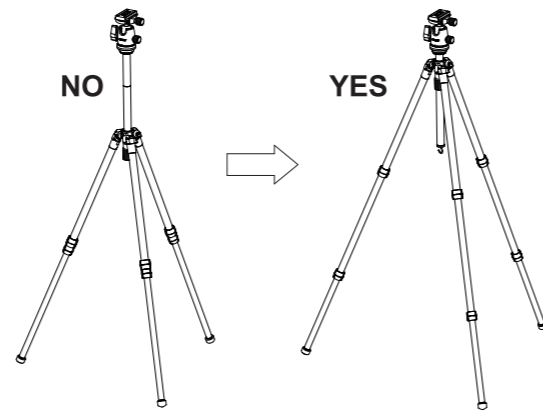


Operating the center column

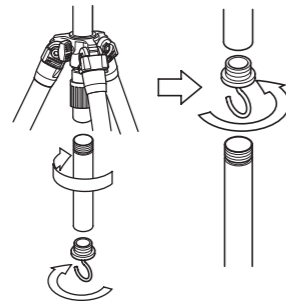
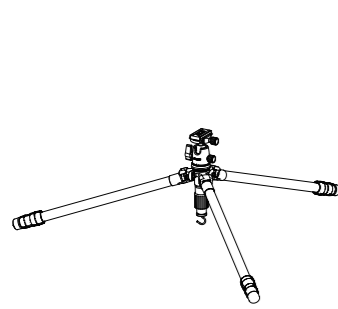


A - Screw-type
Center column stopper is used to lock or unlock center column.
B - Twist-type
Center column locking nut is used to adjust a tension of the movement.
The both of A and B must be locked for fixing center column.



To avoid unnecessary camera vibrations, try to keep the center column height to a minimum.
Also use the larger legs first when extending the legs.

Low position

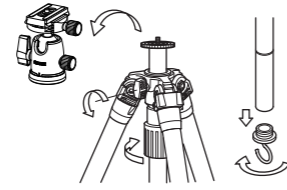


Remove the center column base stopper.
Then remove the lower part of center column.
Put the center column base stopper in to the upper part of center column.

You can get lower height.

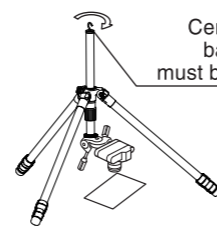
Inverting the center column

⚠ Caution



Remove the pan head when inverting or replacing the center column.
Remove the center column base stopper from the bottom of the center column.
Loosen the center column locking nut and the center column stopper, and then pull out the center column.

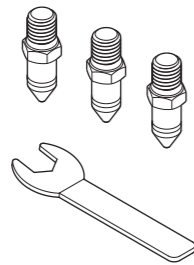
⚠ Caution



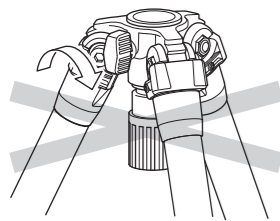
Center column base stopper must be attached.
Insert the center column from the lower side of main body, and tighten the center column locking nut and the center column stopper.
Make sure to re-attach the center column base stopper in order to prevent the center column falling out accidentally.

Optional Accessory

SPIKE SET
Cat. NO.618-411

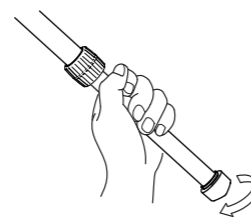


⊘ Prohibition

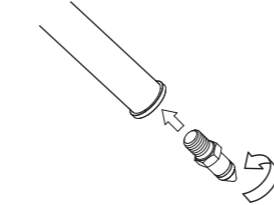


Please do not turn the center column stopper without a center column.
The internal parts may be damaged.

How to change the leg tips



The leg tips can be converted to the spike leg tips. (sold separately)
To remove the rubber leg tip, hold the leg pipe tightly and loosen the rubber leg tip.



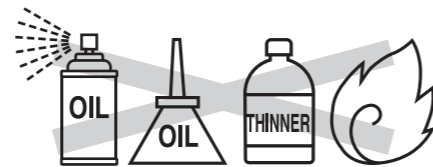
Screw the spike leg tip into the leg pipe by finger tips until it comes stop.
Then the spike leg tip must be tightened up with the wrench (comes with SPIKE SET).

⊘ Prohibition

If you hold the leg pipe other than the lowest part, the leg pipe may be damaged.
Always use the attached wrench for the conversion.
The pipe may be damaged.

Care of the Tripod

- DO NOT apply any grease or oil to this product.
- Clean with a mild detergent and a soft cloth only.
- DO NOT use close to flame. Avoid extreme heat.



Slik corporation reserves the right to make changes in design and/or improvements on the products without any obligation and advanced notice.

SLIK CORPORATION
853 Kayama, Hidaka City, Saitama 350-1231, Japan Phone 81-42-989-2141, Fax. 81-42-985-0210 ©2022

<http://slik.com/>

SLIK®

PRO CF-700,800 Series

Operating Instructions

Thank you very much for choosing SLIK product.
SLIK Corporation has designed a sturdy, rugged, dependable product that will provide you with many years of satisfactory use.
Please take a few moments to read this operating instruction manual carefully before use to take full advantage of the many fine features. Retain this operating instruction manual in case you might want to refer back to it.

⚠ Caution

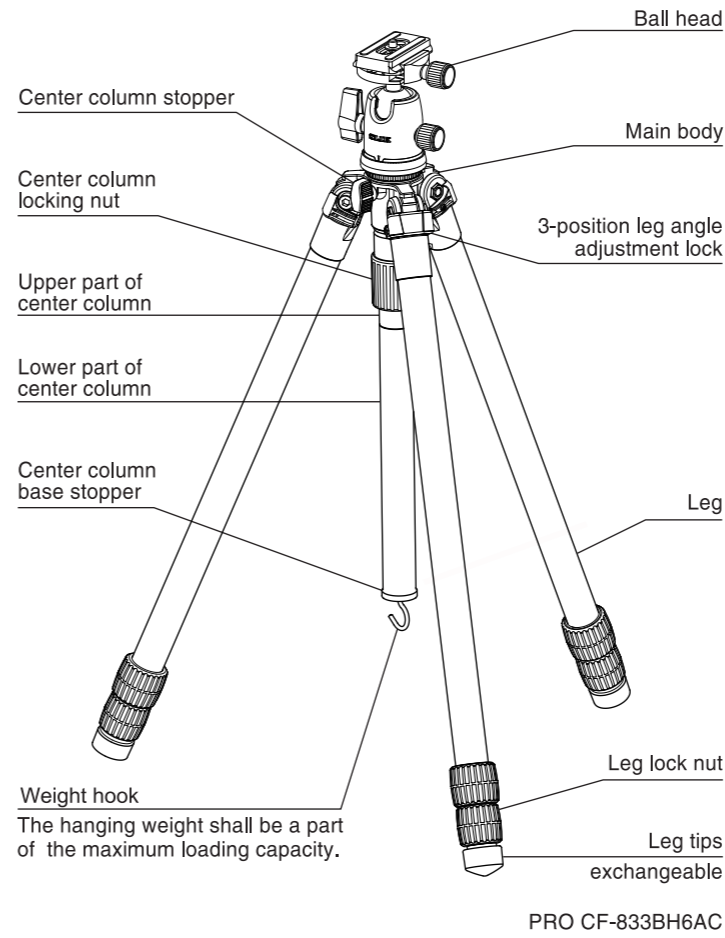
This caution icon refers to information pertaining to important safety procedures in preventing injuries, or damages which may occur as a result of mishandling this product.

⊘ Prohibition

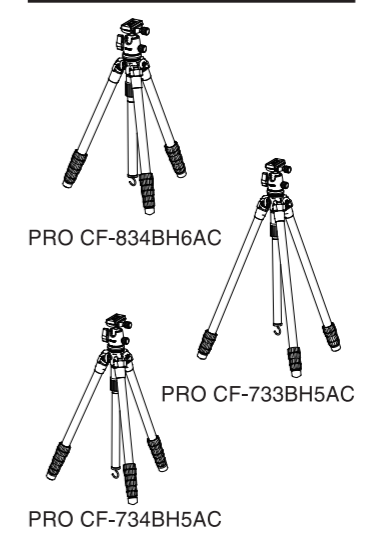
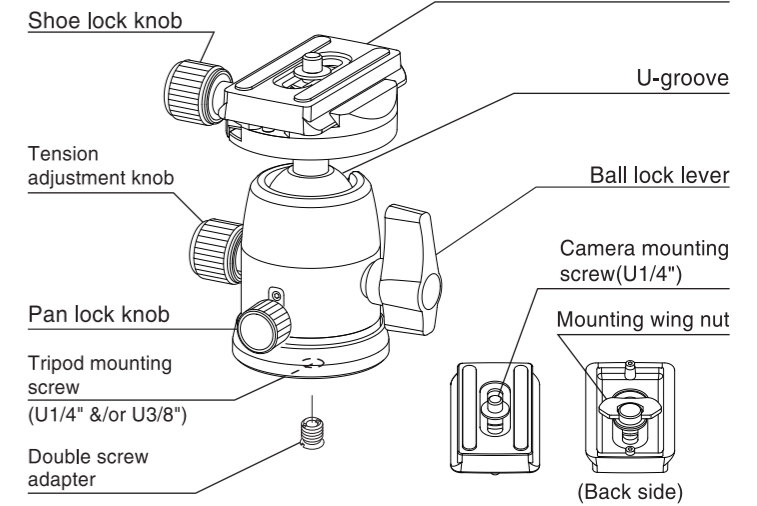
This prohibition icon refers to information pertaining to prohibited contents. Please refer to instruction closely to avoid accidents.

W402

Components



Ball head



Equipment that can be loaded on this tripod

⊘ Prohibition

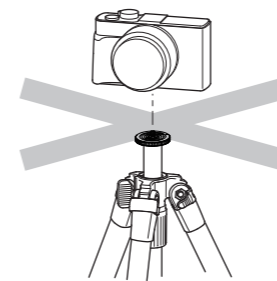
Maximum loading capacity:

- PRO CF-733BH5AC : 5 kgs (11 in)
- PRO CF-734BH5AC : 5 kgs (11 in)
- PRO CF-833BH6AC : 6 kgs (13.2 in)
- PRO CF-834BH6AC : 6 kgs (13.2 in)

Do not exceed the specified loading capacity.

Pan head attachment screw

⊘ Prohibition



Do not attach camera directly to the threaded post of the center column.
This may damage both camera and tripod.

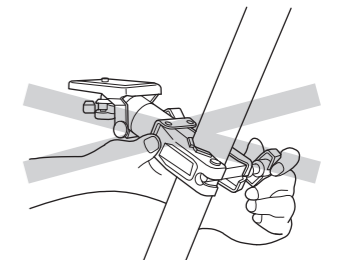
In case of the shock given to tripod by force

⚠ Caution

When the shock has been given to the tripod and legs such as falling down, please check for cracks, flaws, etc. on the pipes.
When you find some cracks, flaws, etc. on the pipes, discontinue use and contact customer support.
When damaged it is possible that carbon fibers will splinter from the pipes. In that case, please do not touch it.

Clamp head

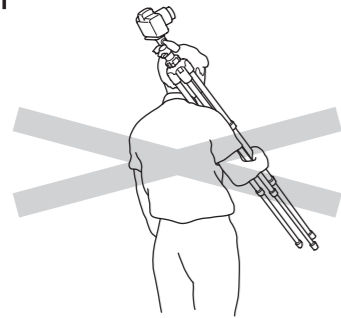
⊘ Prohibition



Please do not use an optional clamp head for a carbon fiber tripod.
The pipe may be damaged.

Carrying the tripod

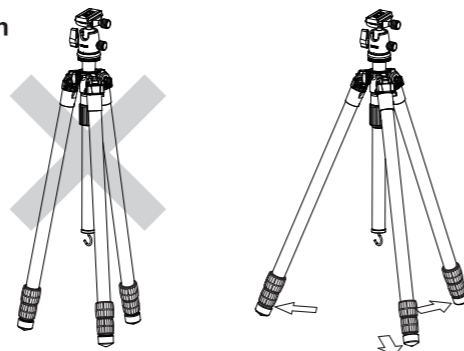
⊘ Prohibition



Carrying a tripod with a camera left on can result in unexpected accidents. We therefore, recommend you to remove your camera while carrying the tripod.

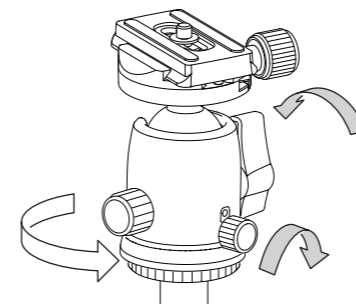
Setting up

⚠ Caution



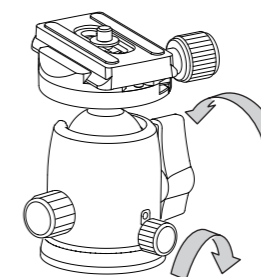
To prevent accidental equipment fall or tripod tipping over, making sure all levers, knobs and handles on the tripod are securely tightened. And all of the three legs are opened all the way.

Removing head from the center column

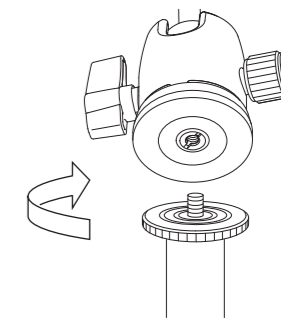


Tighten the ball lock lever and pan lock knob. Turn the head counter-clockwise to loosen.

How to attach to tripod

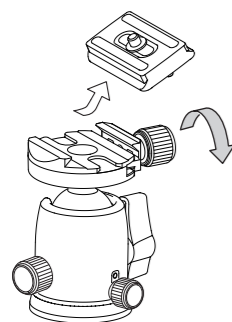


Tighten the ball lock lever and pan lock knob. When a pan head attachment screw of the tripod is U3/8", remove the double screw adaptor.

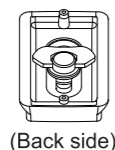


Make sure the tripod thread post matches the size of your head. A thread adaptor is included when necessary.

Attaching the camera to the quick release shoe

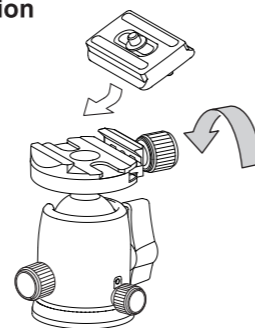


Remove the quick release shoe to loosen the shoe lock knob until the quick release shoe can be removed from the platform.



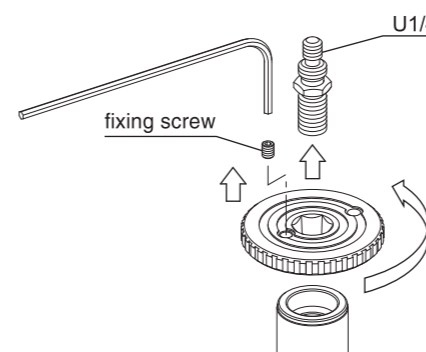
Screw the camera mounting screw on the tripod attachment screw of your camera and fix firmly.

⚠ Caution

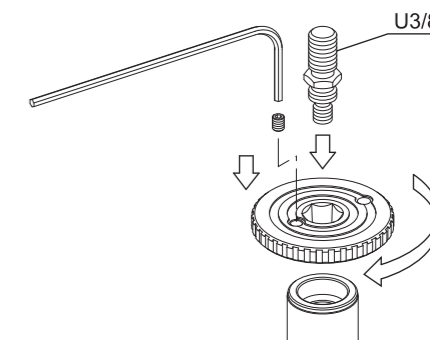


Fix the shoe lock knob firmly after inserting the quick release shoe to the platform. Please make sure the equipment is securely fixed to the ball head, before you use the ball head.

How to change the pan head attachment screw

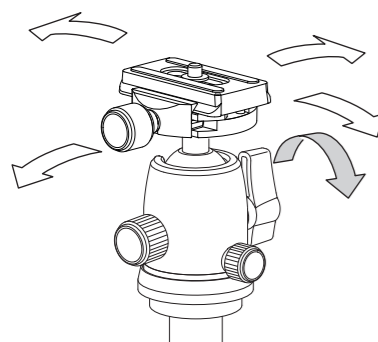


To change the U3/8" screw, loosen the fixing screw with an allen wrench (2.5mm width) and rotate the center column plate to remove from the center column.

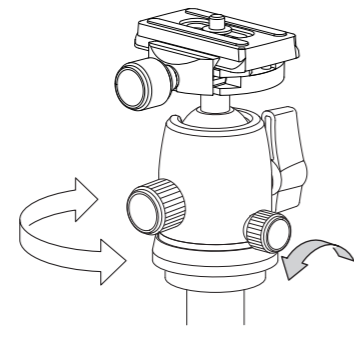


Flip the pan head attachment screw and put back to the center column plate. Screw in the center column plate and the pan head attachment screw. Tighten the fixing screw to avoid rotating the center column plate while in use.

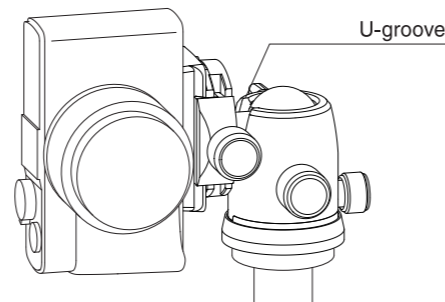
Operation



The platform can be moved freely when the ball fixing lever is loose. Tighten the ball lock lever when a camera angle is determined.

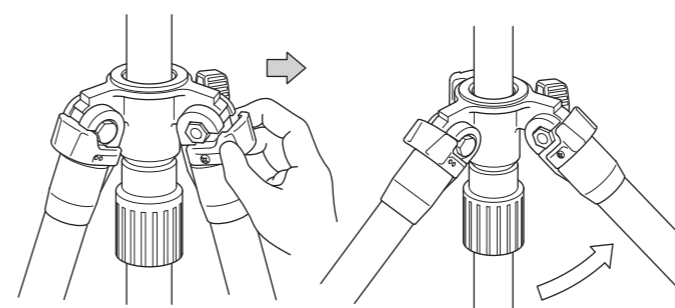


When the pan lock knob is loose, the head rotates horizontally.



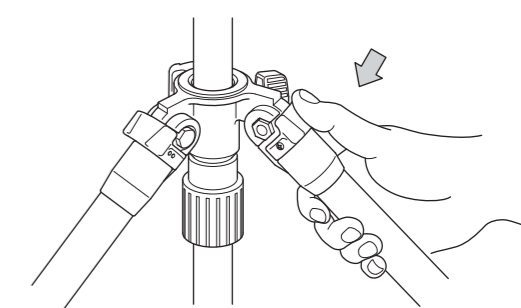
To set vertical camera position, place the platform into U-groove.

Three position adjustable legs

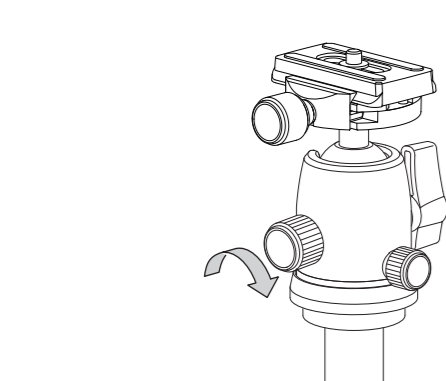


To change the angle of each leg, close the leg slightly, and then pull the leg angle adjustment lock out. There is a choice of two other angle positions.

⚠ Caution

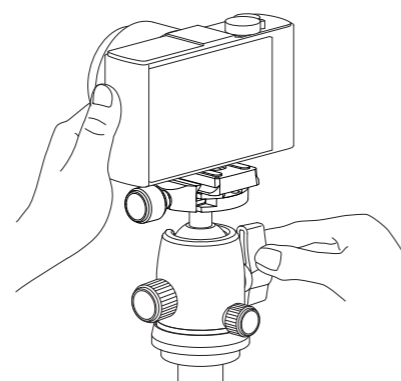


After choosing the desired leg angle, securely push in the adjustment lock.



Friction is adjusted by the tension adjustment knob only when the ball fixing lever is loose.

⚠ Caution



Please hold onto the camera while adjusting the ball lock lever to avoid accidental fall.

Extending the tripod legs

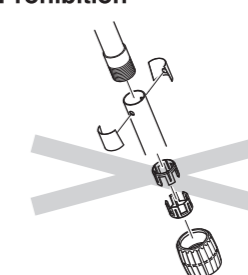


When you extend the legs, please proceed from the upper section. When you fold the legs, please proceed from the lower section. It will be steady to grip the upper part of pipe just above the lock nut.

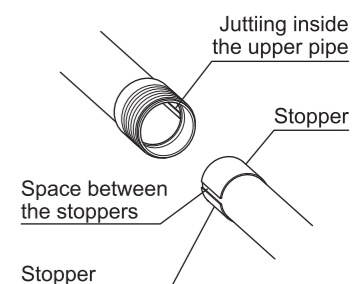


It is easier to extend the tripod legs if you turn the leg-tips to the foot, while leaving legs close.

⊘ Prohibition



Do not remove the nut and take out pieces. If it has been removed, insert the pieces as per the above specification.



Match the space between the stoppers and jutting inside the upper pipe when the pipe is connecting.