

I-Bracket

Operating Instructions

Thank you very much for choosing SLIK product. SLIK Corporation has designed a sturdy, rugged, dependable product that will provide you with many years of satisfactory use.

Please take a few moments to read these operating instructions carefully before use so that you can take full advantage of the many fine features. Retain this operating instruction sheet in case you want to refer back to it.

⚠ Caution

This caution icon refers to information pertaining to important safety procedures in preventing injuries, or damages which may occur as a result of mishandling this product.

🚫 Prohibition

This prohibited icon refers to information pertaining to prohibited contents. Please refer to instructions closely to avoid accidents.

W468

Carrying the tripod

🚫 Prohibition

Carrying a tripod with a camera left on can result in unexpected accidents. We therefore, recommend you remove your camera from the tripod while carrying the tripod.

Caution for use

⚠ Caution

To prevent accidental equipment fall or tripod tipping over, make sure the bracket and camera are firmly installed, and all levers, knobs and handles of the tripod and tripod head are securely tightened before use.

Pay attention to the balance when installing the bracket to the tripod head.

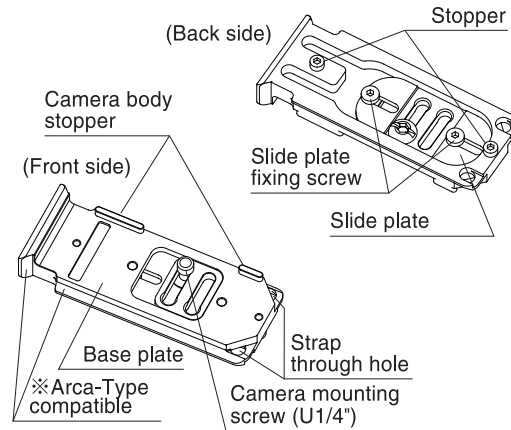
Installing the tripod in an unstable location can lead to an accident.

Do not leave the equipment unattended. The tripod tipping over can cause damage to the equipment, user and/or surroundings.

Specifications:

Height	18 mm	(0.71 in)
Width	97 mm	(3.82 in)
Depth	38 mm	(1.5 in)
Weight	60 g	(0.14 lbs)

Components



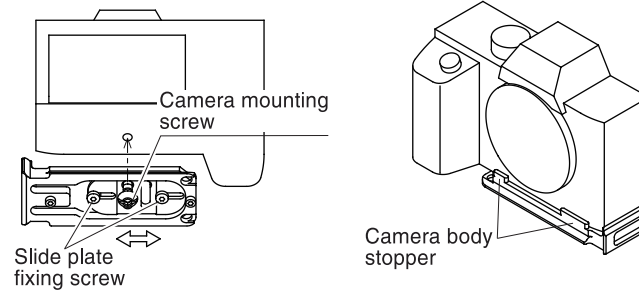
Load Capacity

Maximum load capacity : 2kg (4.4 lbs)

🚫 Prohibition

Do not load equipment heavier than the load capacity. Some equipments weighing below 2 kgs (4.4 lbs) may not balance well due to its weight distribution.

Installing the bracket on the camera



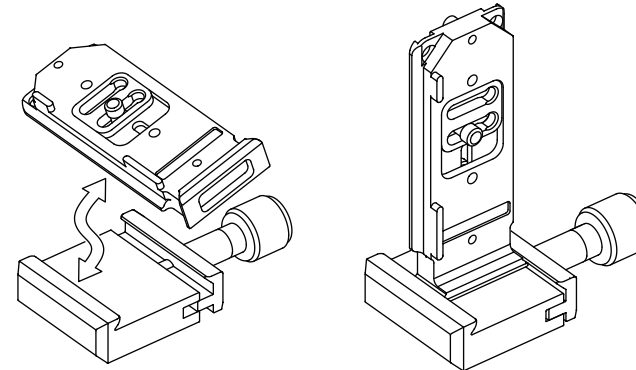
Loosen the slide plate fixing screws and adjust the position of the slide plate so that the camera mounting screw is in the position of the mounting screw hole of the camera.

With the camera body stopper pressed against the front of the camera body, tighten the camera screw firmly.

⚠ Caution

Make sure the bracket is securely installed to the camera before use. When installing the bracket, be careful not to damage the camera. Depending on the camera model, the bracket may interfere with the camera LCD monitor when opening and tilting it. The camera body stopper is intended to prevent the camera from rotating when in a vertical position. However, depending on the camera mode, the camera body stopper may not work. The bracket is structured to be attached to various cameras, but it does not guarantee installation on all cameras.

Installing on the tripod head



The bracket can be attached to an Arca-Type compatible tripod head.

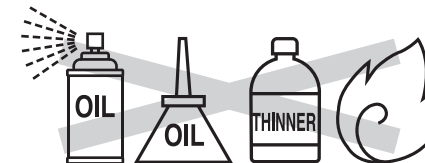
When in a vertical position, install the bracket as shown.

⚠ Caution

When installing the bracket to the tripod head, check the lock of each part and make sure that there are no loose parts before using. Depending on the equipment used, it may be difficult to balance when attached to the tripod head. Do not use the product in an unstable condition. For information on how to use the tripod or tripod head, check the instruction manual for each product. Although the bracket is compatible to Arca-Type style tripod head, it does not guarantee compatibility with all tripod heads.

Care of the product

- DO NOT apply any grease or oil to this product.
- Clean with a mild detergent and a soft cloth only.
- DO NOT use close to flame. Avoid extreme heat.



SLIK Corporation reserves the right to make changes in product design and specifications without advance notice.

SLIK CORPORATION

853 Kayama, Hidaka City, Saitama 350-1231 Japan Phone 81-42-989-2141, Fax. 81-42-985-0210 ©2022 <http://slik.com/>