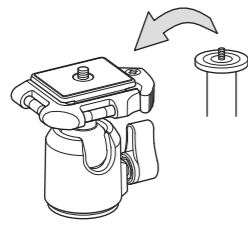
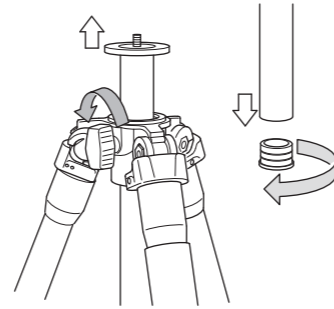


Inverting the center column

Caution

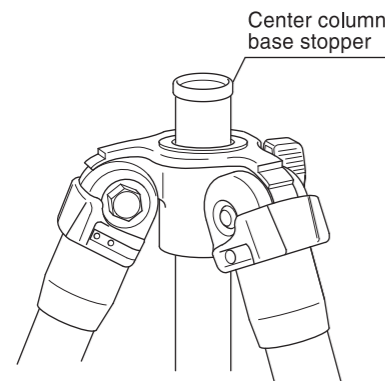


Remove the ball head when inverting or replacing the center column.

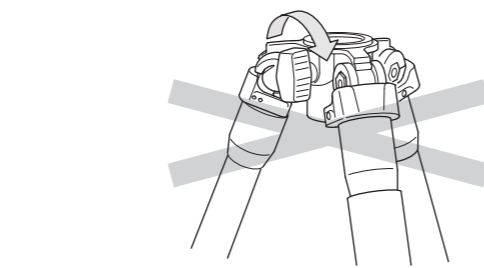


Remove the center column base stopper from the bottom of the center column.
Loosen the center column stopper, and then pull out the center column.

Caution

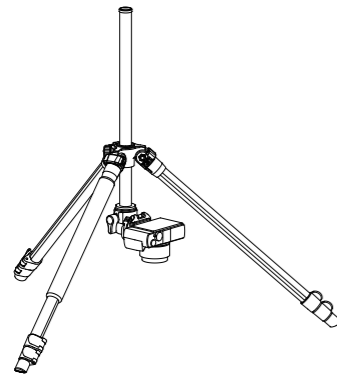


Insert the center column from the lower side of main body, and tighten the center column locking nut and the center column stopper. Make sure to re-attach the center column base stopper in order to prevent the center column falling out accidentally.

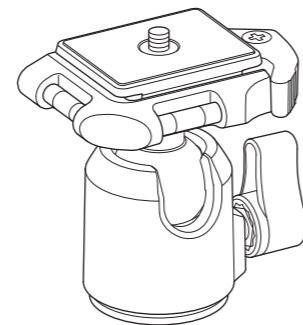


Please do not turn the center column stopper without a center column &/or an optional short center column. The internal parts may be damaged.

Bubble level



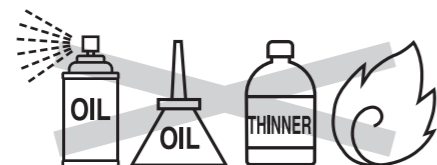
By inverting the centre column, it is possible to do copy, and close up shot.



Adjust the bubble level to fit into center. The bubble level is a rough criterion. It is not accurate as a leveler on a camera.

Care of the tripod

- DO NOT apply any grease or oil to this product.
- Clean with a mild detergent and a soft cloth only.
- DO NOT use close to flame. Avoid extreme heat.



Slik Corporation reserves the right to make changes in design and/or improvements on the products without any obligation and advanced notice.

SLIK CORPORATION
853 Kayama, Hidaka City, Saitama 350-1231, Japan Phone 81-42-989-2141, Fax. 81-42-985-0210 ©2022

<http://slik.com/>

SLIK®

ABLE 413b

Operating Instructions

Thank you very much for choosing SLIK product. SLIK Corporation has designed a sturdy, rugged, dependable product that will provide you with many years of satisfactory use. Please take a few moments to read these operating instructions carefully before use so that you can take full advantage of the many fine features. Retain this operating instruction sheet in case you want to refer back to it.

Caution

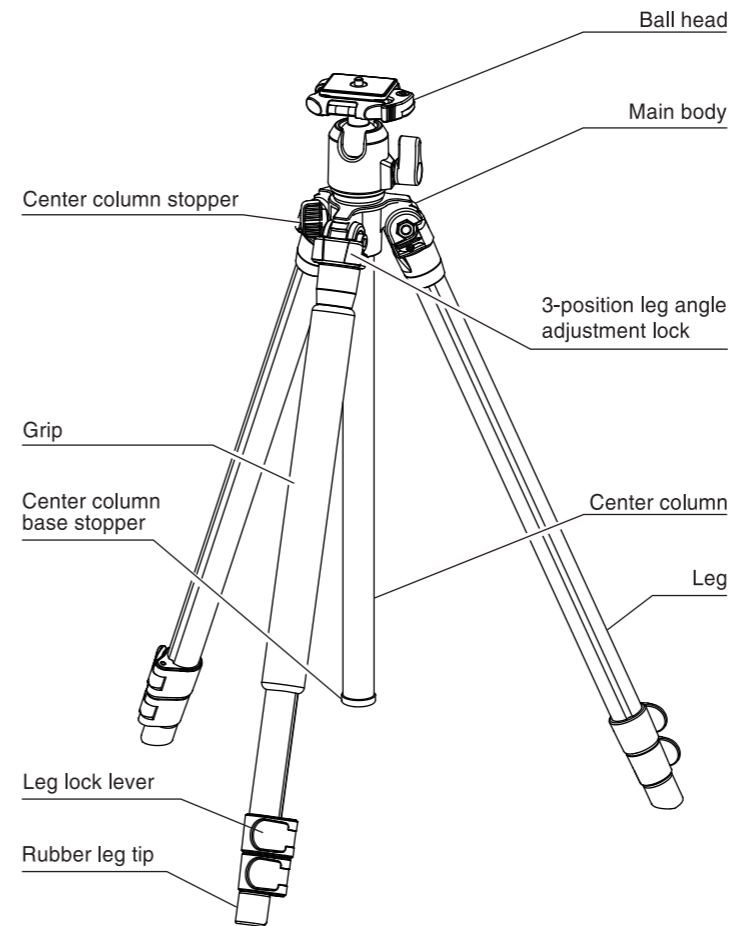
This caution icon refers to information pertaining to important safety procedures in preventing injuries, or damages which may occur as a result of mishandling this product.

Prohibition

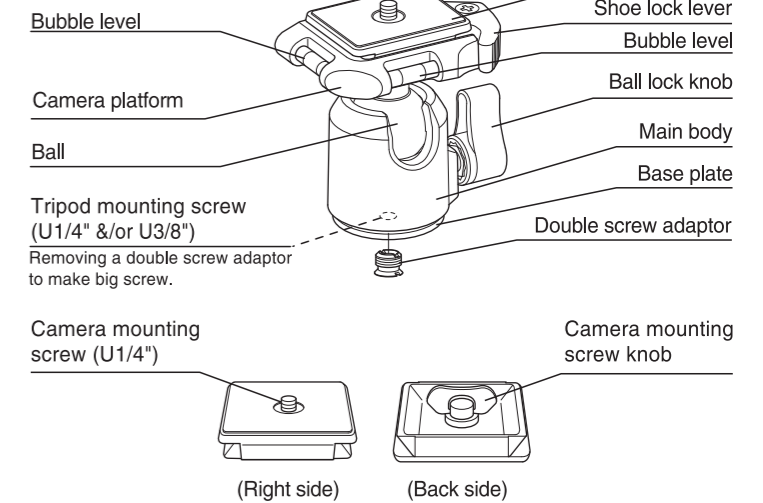
This prohibited icon refers to information pertaining to prohibited contents. Please refer to instructions closely to avoid accidents.

W570

Components



Ball head



Equipment that can be loaded on this tripod

Prohibition

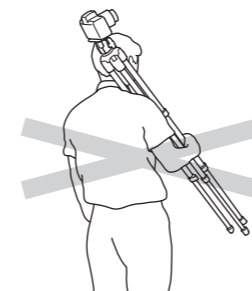
This product has been designed to handle equipment weighing under 5 kgs(11.0 lbs). Do not overload. Some equipment weighing under 5 kgs(11.0 lbs), such as long lenses, may not balance well due to its weight distribution. In such case, please use a larger tripod.

Caution

※Bubble level on the ball head is a rough criterion. It is not accurate as a leveler on a camera.

Carrying the tripod

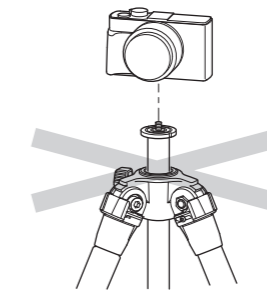
Prohibition



Carrying a tripod with a camera left on can result in unexpected accidents. We therefore, recommend you to remove your camera while carrying the tripod.

Pan head attachment screw

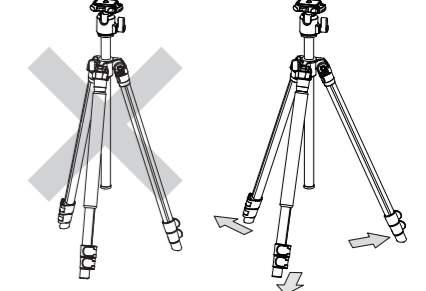
Prohibition



Do not attach camera directly to the threaded post of the center column. This may damage both camera and tripod.

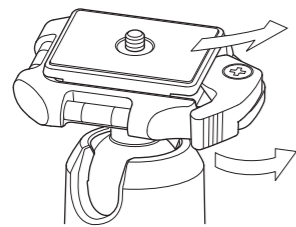
Setting up

Caution

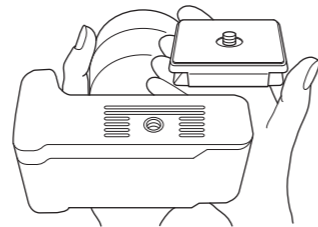


To prevent accidental equipment fall or tripod tipping over making sure all levers, knobs and handles on the tripod are securely tightened. And all of the three legs are opened all the way.

Attaching the camera to the quick release shoe

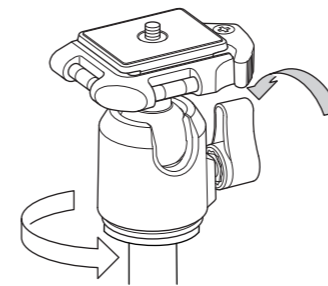


Remove the quick release shoe turning the shoe lock lever. Do not put the shoe lock lever back by force as it has been stood by the stopper.



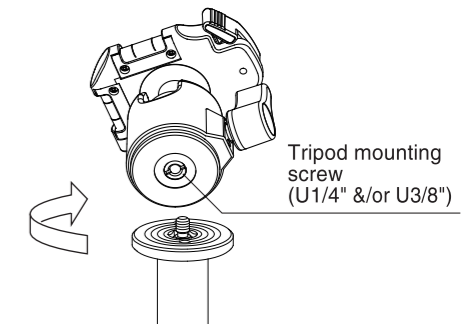
Screw the camera mounting screw on the tripod attachment screw of your camera and fix firmly.

Removing head from the center column

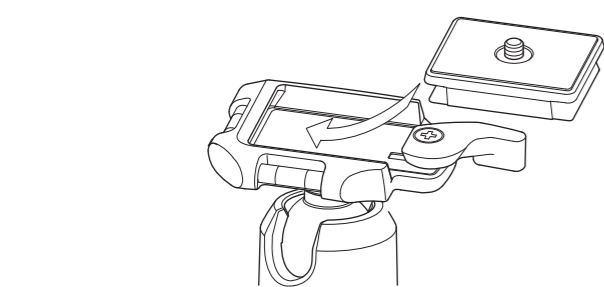


Tighten the ball lock knob. Turn the head counter-clockwise to loosen.

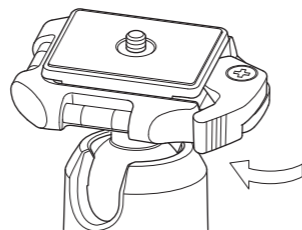
How to attach a tripod



After fastening the ball lock knob, the tripod mounting screw and the head attachment screw of the tripod are set, and turn the head clockwise and fasten firmly.

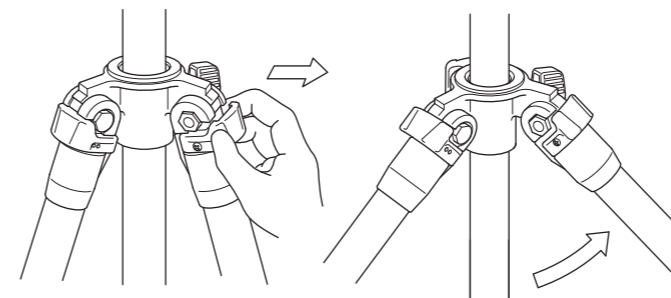


To reattach the shoe, slide it in from the shoe lock lever side. When it attaches, the shoe lock lever closes automatically.



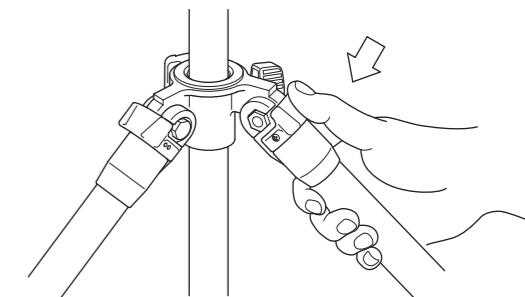
Push the shoe lock lever more to make sure the camera shoe is locked completely.

Three position adjustable legs



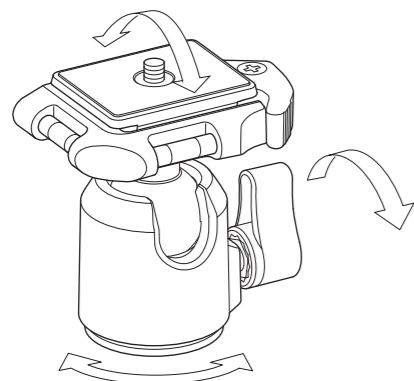
To change the angle of each leg, close the leg slightly and then pull the leg angle adjustment lock out. There is a choice of two other angle positions.

⚠ Caution

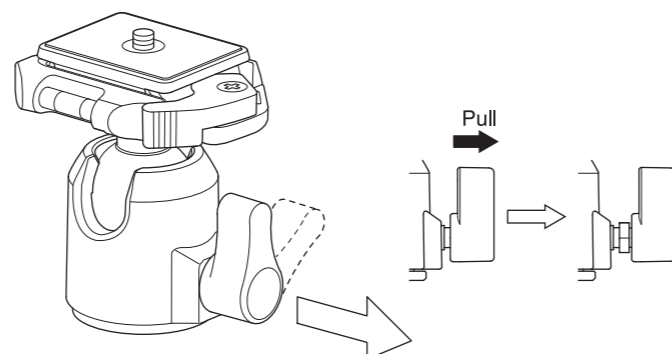


After choosing the desired leg angle, securely push in the adjustment lock.

Operation

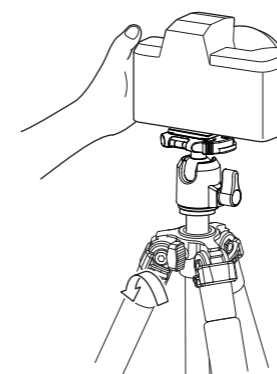


Camera platform and base plate will be rotated when the ball lock knob is loose.

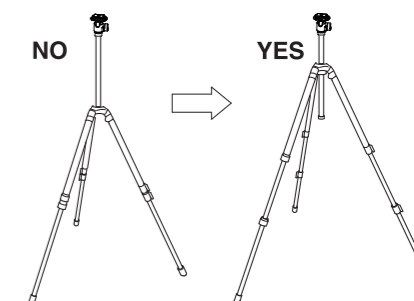


You can change a position of a ball lock knob. To change a position, turn the ball lock knob to your desired position when pulling a ball lock knob itself.

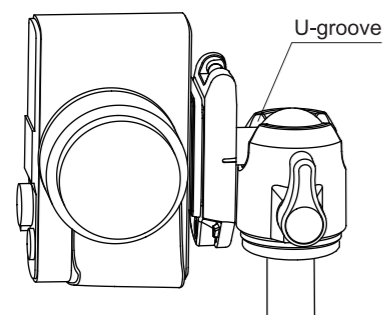
How to use the center column



The centre column stopper is used to lock or unlock the centre column. The centre column stopper must be securely locked to fasten the centre column.

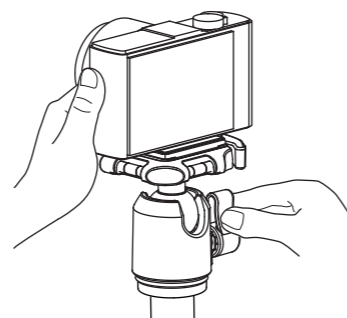


To avoid unnecessary camera vibrations, try to keep the center column height to a minimum. Also use the larger legs first when extending the legs.



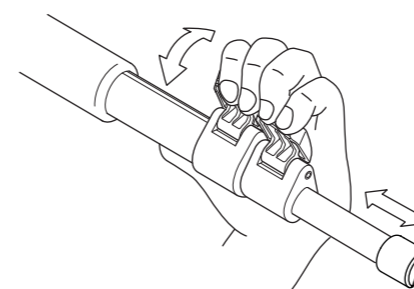
To set vertical camera position, place the platform into U-groove.

⚠ Caution



To loosen the ball lock knob with a camera on can result an unexpected fall. Hold a camera firmly until the ball lock knob is tightened.

Extending/Folding of tripod legs



Flip up the leg lock lever to extend or shorten any of the individual leg sections to the desired length and press the leg lock lever flush against the leg to lock.



It is easier to extend the tripod logs if you turn the leg-tips to the foot, while leaving legs close.