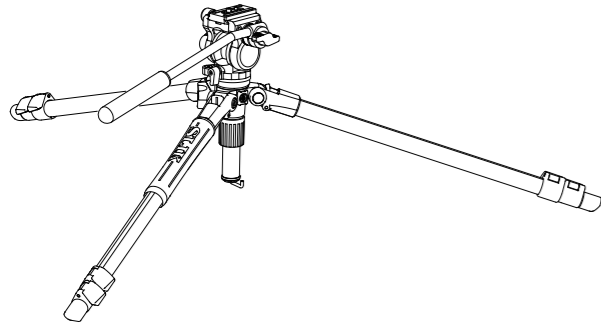
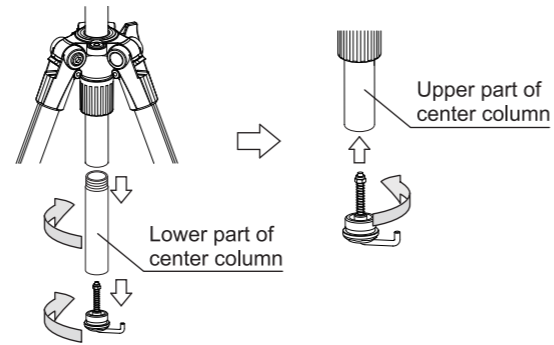


How to get low position shots



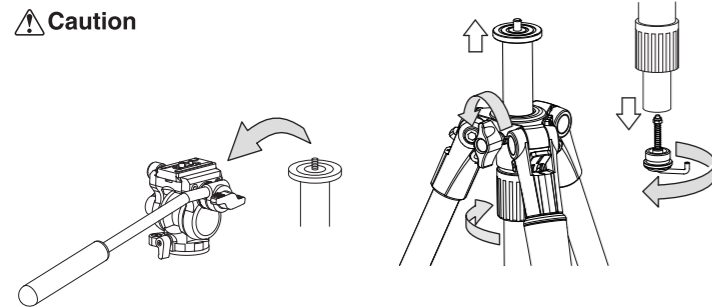
You can get lower height.



Remove the center column base stopper and then, remove the lower part of center column.
Put the center column base stopper on the upper part of center column.

Inverting the center column

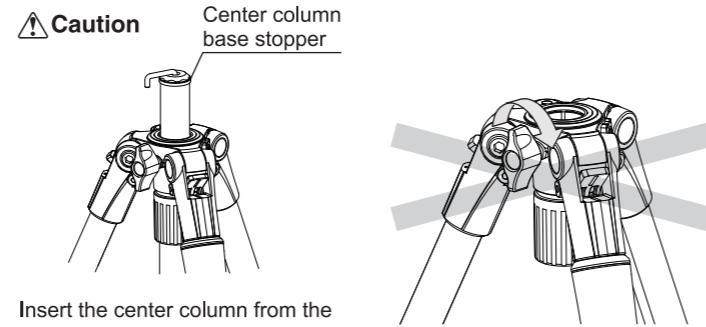
⚠ Caution



Remove the center column base stopper from the bottom of the center column.
Loosen the center column locking nut and the center column stopper, and then pull out the center column.

Remove the pan head when inverting or replacing the center column.

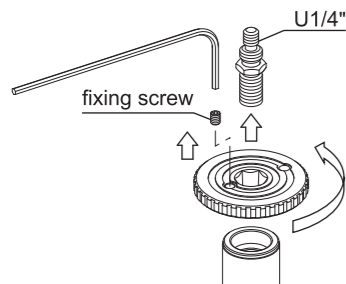
⚠ Caution



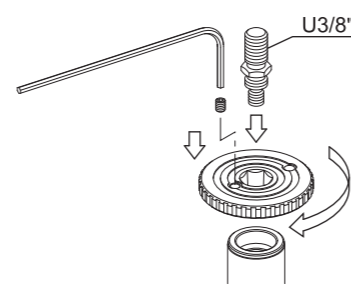
Insert the center column from the lower side of main body, and tighten the center column locking nut and the center column stopper. Make sure to re-attach the center column base stopper in order to prevent the center column falling out accidentally.

Please do not turn the center column stopper without a center column. The internal parts may be damaged.

How to change the pan head attachment screw

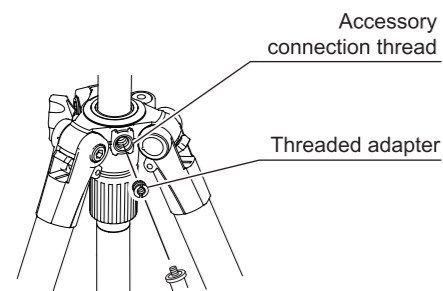


To change the U3/8" screw, loosen the fixing screw with an allen wrench (2.5mm width) and rotate the center column plate to remove from the center column. Then push out the pan head attachment screw from the bottom.



Flip the pan head attachment screw and put back to the center column plate. Screw in the center column plate and the pan head attachment screw. Tighten the fixing screw to avoid the rotating the center column plate while in use.

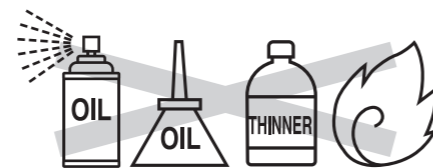
Accessory connection thread



The tripod has 1/4" (if you take off the threaded adapter, 3/8") female thread which can be used to attach accessories, such as a light, a monitor, etc.

Care of the tripod

- DO NOT apply any grease or oil to this product.
- Clean with a mild detergent and a soft cloth only.
- DO NOT use close to flame. Avoid extreme heat.



Slik Corporation reserves the right to make changes in design and/or improvements on the products without any obligation and advanced notice.

SLIK®

PRO AL-323 SVH-520 PRO AL-324 SVH-520

Operating Instructions

Thank you very much for choosing SLIK product. SLIK Corporation designs products to be a sturdy, rugged, and dependable, and that will provide you with many years of satisfactory use. Please take a few moments to read this operating instruction manual carefully before use to take full advantage of the many fine features. Retain this operating instruction manual in case you might want to refer back to it.

⚠ Caution

This caution icon refers to information pertaining to important safety procedures in preventing injuries, or damages which may occur as a result of mishandling this product.

⊘ Prohibition

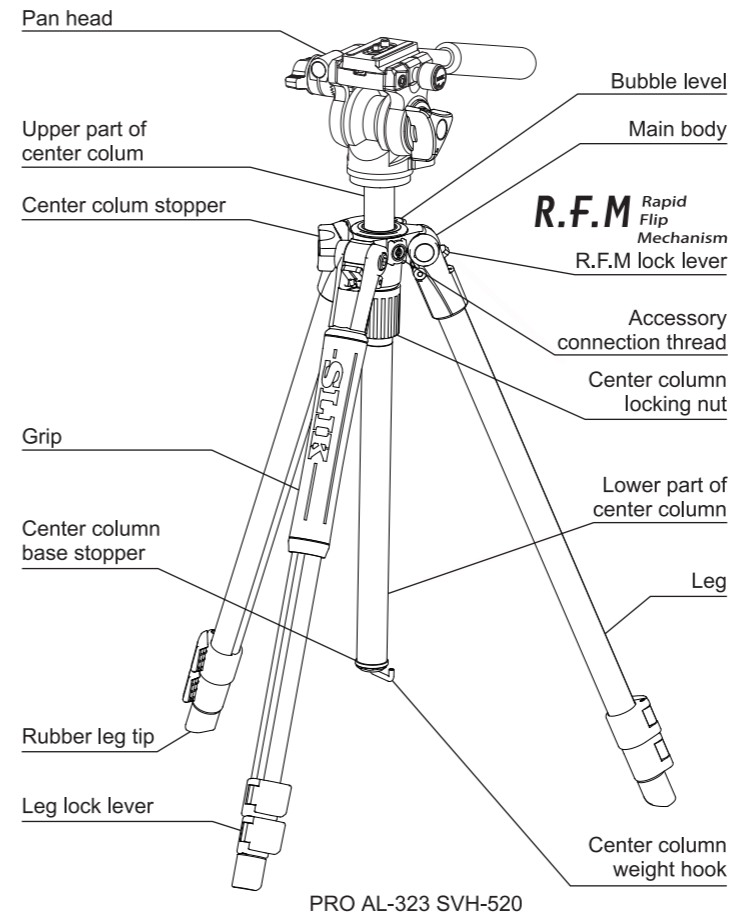
This prohibition icon refers to information pertaining to prohibited contents. Please refer to instruction closely to avoid accidents.

Specification

PRO AL-323 SVH-520	
Folded length	640mm (25.2 in)
Max. operating height	1,590mm (62.5 in)
Max. center column ext.	315mm (12.4 in)
Weight	1,875g (4.14 lbs)
PRO AL-324 SVH-520	
Folded length	535mm (21.1 in)
Max. operating height	1,435mm (56.4 in)
Max. center column ext.	255mm (10 in)
Weight	1,825g (4.03 lbs)
With exclusive case	

W726

Components

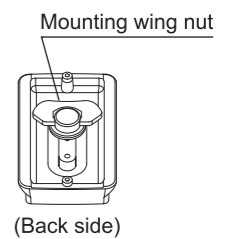
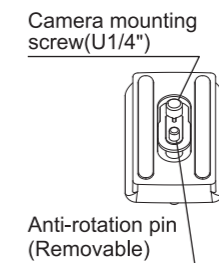
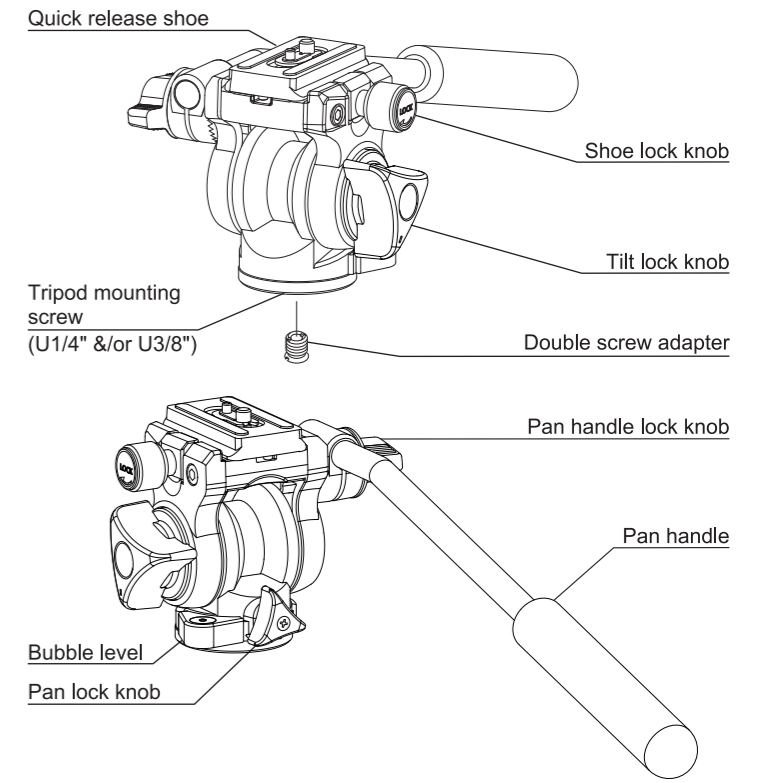


PRO AL-323 SVH-520

⚠ Caution

※Bubble level on the tripod is a rough criterion. It's not so accurate as a level on a camera.

Pan head



Equipment that can be loaded on this tripod

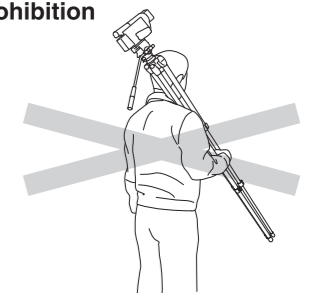
⊘ Prohibition

Maximum loading capacity : 4kgs (8.8 lbs)

This product has been designed to handle equipment weighing under 4kgs(8.8 lbs). Do not overload. Some equipments weighing under 4kgs(8.8 lbs), such as long lenses, may not balance well due to its weight distribution. In such case, please use a larger tripod.

Carrying the tripod

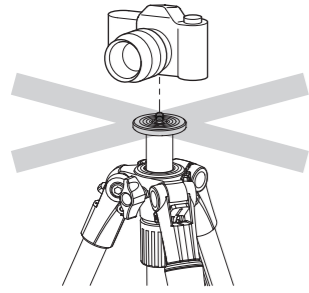
⊘ Prohibition



Carrying a tripod with a camera left on can result in unexpected accidents. We therefore, recommend you to remove your camera while carrying the tripod.

Pan head attachment screw

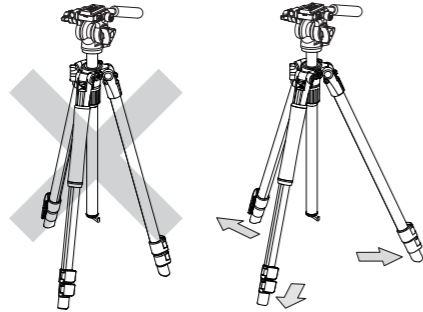
⊘ Prohibition



Do not attach camera directly to the pan head attachment screw of the center column. This may damage both camera and tripod.

Setting up

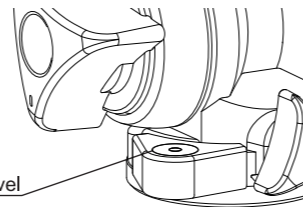
⚠ Caution



To prevent accidental equipment fall or tripod tipping over, making sure all levers, knobs and handles on the tripod are securely tightened, and all three legs are opened all the way.

Bubble level

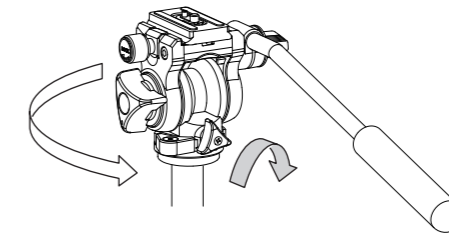
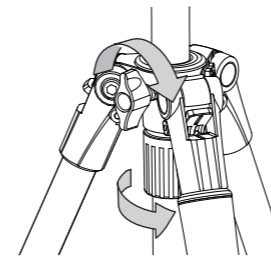
Bubble level



Adjust the level so that the bubble is inside of the marked circle.

Removing head from the center column

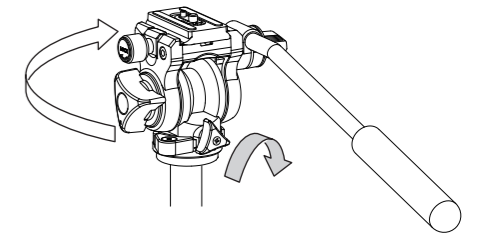
Tighten center column stopper and center column locking collar.



Lock the pan lock knob. Then grasp the pan handle and turn the head counter-clockwise to loosen.

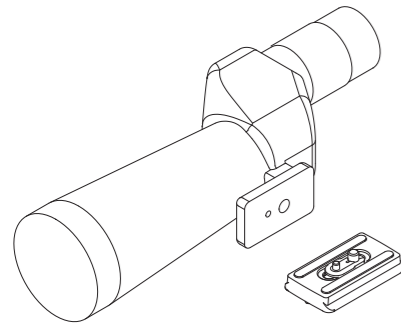
Setting the pan head to the center column

Set the pan head on the tripod's threaded post, and turn clockwise until it comes to a stop. Tighten the pan lock knob and turn clockwise slightly more.



About anti-rotation pin adapter

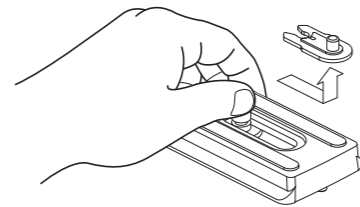
⚠ Caution



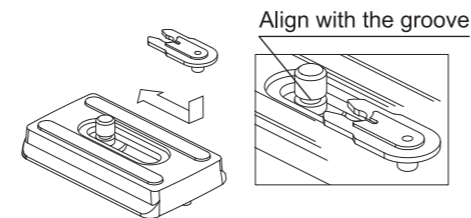
If you are using an equipment that does not have an anti-rotation pin mounting hole, please follow the steps below to remove the anti-rotation pin adapter

1 : While holding down the camera mounting screw, push the anti-rotation pin adapter away from the mounting screw to remove it.
⚠ Be careful not to pinch your fingers or hurt your nails when removing the anti-rotation pin adapter.

When your equipment has an anti-rotation pin mounting hole, match the locating pin to the hole and tighten the camera mounting screw.



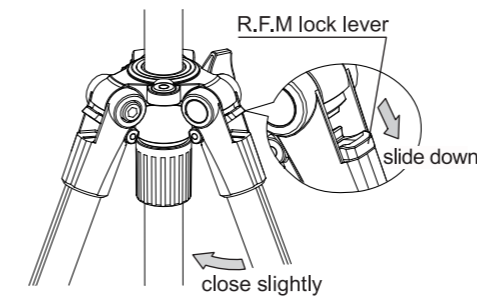
⚠ Caution



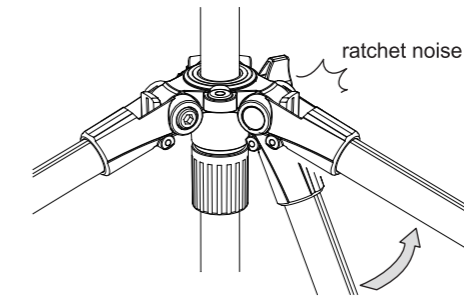
2 : Turn the anti-rotation pin adapter upside down and align it with the groove of the camera mounting screw.

⚠ Be careful not to pinch your fingers or hurt your nails when removing the anti-rotation pin adapter. A spare anti-rotation pin adapter is included in case you lose the primary one.

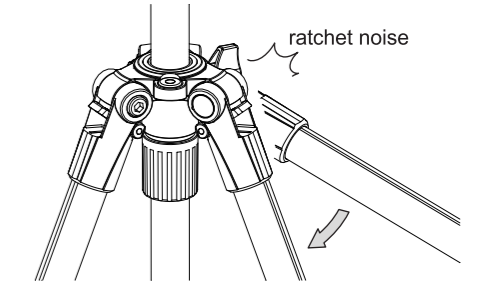
R.F.M Three position adjustable legs



Close the leg slightly and slide the R.F.M lock lever down.

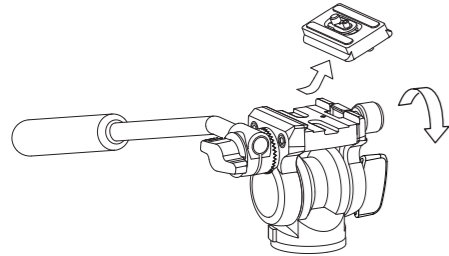


Move the leg up slowly, it will make a ratchet noise at a certain point. This position is the low position.

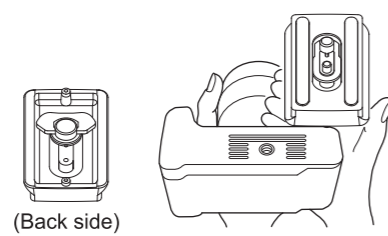


Close the leg further, a middle position or regular leg position can be chosen.

Attaching the camera to the quick release shoe

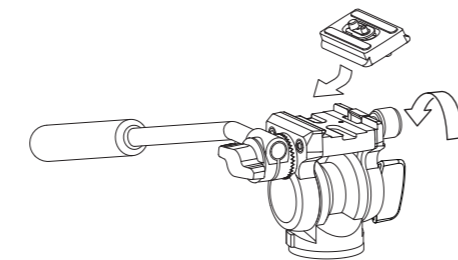


Remove the quick release shoe to loosen the shoe lock knob until the quick release shoe can be removed from the platform.



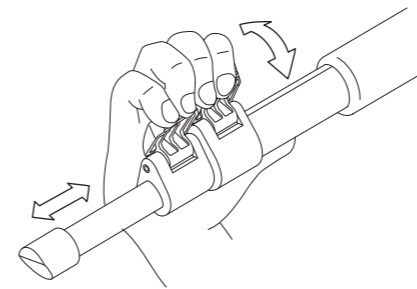
Screw the camera mounting screw on the tripod attachment screw of your camera and fix firmly.

⚠ Caution



Fix the shoe lock knob firmly after inserting the quick release shoe to the platform. Please make sure the equipment is securely fixed to the pan head, before you use the pan head.

Extending/Folding of tripod legs

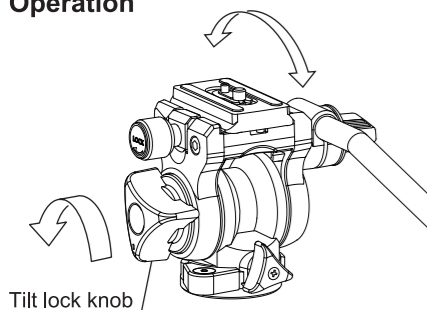


Flip up the leg lock lever to extend or shorten any of the individual leg sections to the desired length and press the leg lock lever flush against the leg to lock.

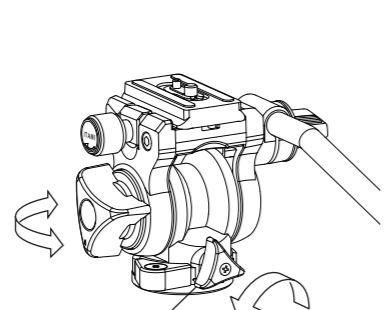


It is easier to extend the tripod legs if you turn the leg-tips to the foot, while leaving legs close.

Operation

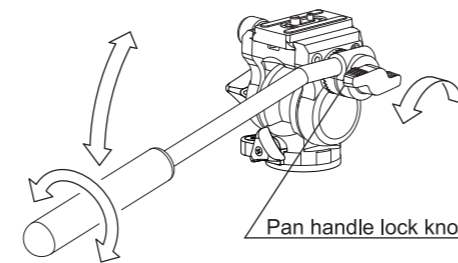


Loosen the tilt lock knob, and the head will tilt back and forth.



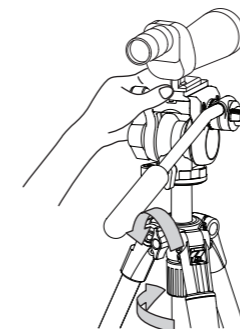
Loosen the pan lock knob, and the head will rotate along the horizontal direction.

⚠ Caution

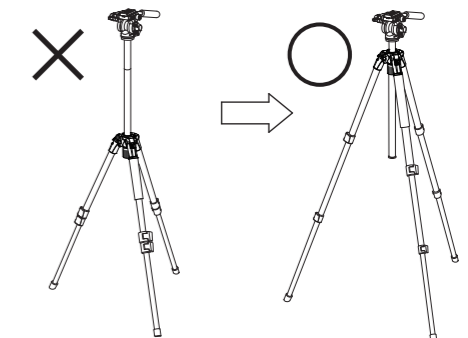


Loosen the pan handle lock knob to adjust the pan handle to the desired position. After you change the pan handle position, lock the pan handle lock knob firmly.

How to use the center column



A - Screw-type
Center column stopper is used to lock or unlock center column.
B - Twist-type
Center column locking nut is used to adjust a tension of the movement. The both of A and B must be locked for fixing center column.



To avoid unnecessary camera vibrations, try to keep the center column height to a minimum. Also use the larger legs first when extending the legs.