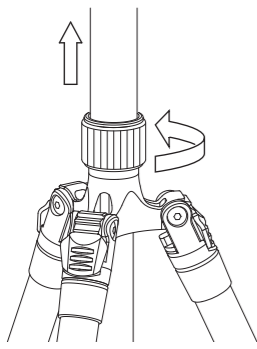
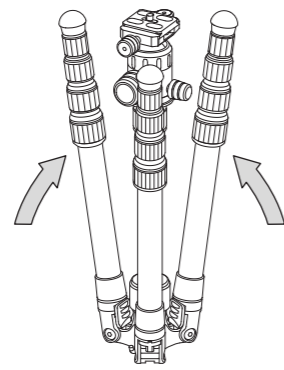


## Storing

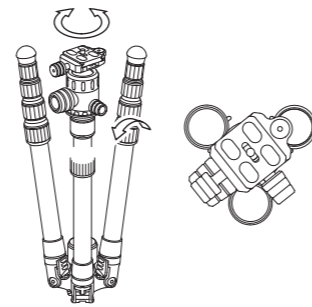


The legs can be flipped 180° for more compact storage. First, loosen the thick center column lock nut and pull the center column up to the top, then tighten the center column lock nut to secure it.



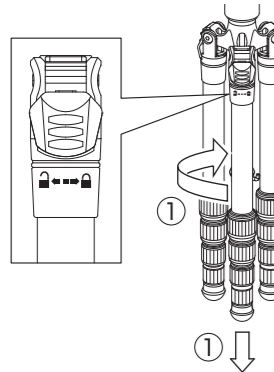
Pull the 3-position leg angle adjustment lock and tilt all the legs toward the head. Stop just before the legs are fully closed.

## Caution



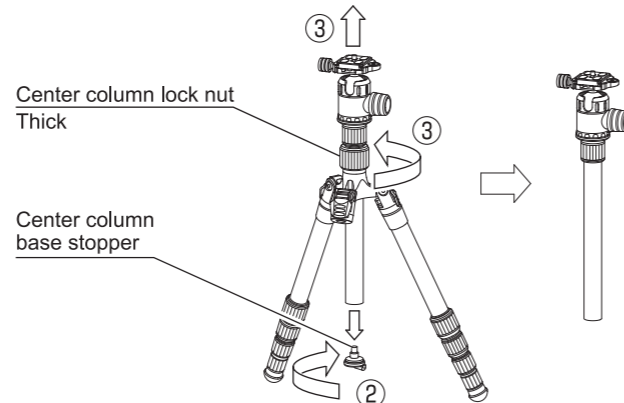
Loosen the pan lock knob on the head and adjust it so that the knob is between the legs, once it is adjusted close the legs completely. Be careful not to get your finger or other objects caught when closing the legs.

## Converting to Monopod



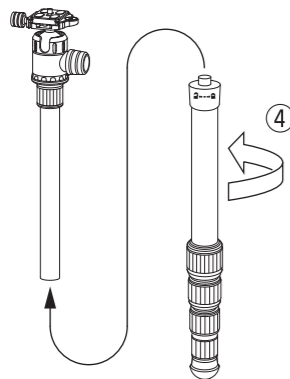
The leg can be used as a monopod by combining the leg with center column and head.

① Turn the leg with the "lock/unlock" mark in the direction of the arrow to loosen it. Then, remove the leg once it is loose.



② Turn the center column base stopper in the direction of the arrow to remove it.  
③ Turn the thick center column lock nut in the direction of the arrow to loosen it, then pull the center column upward.

## Caution



④ Screw the unit removed in step ① into the unit removed in step ② by turning it in the direction of the arrow. While doing this, be careful not to get your fingers or other objects caught between the screws.

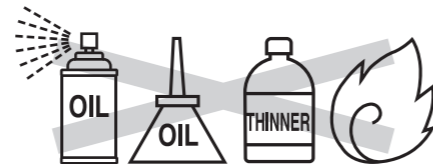
## Caution



When using it as a monopod, be very careful not to let the equipment fall over. Make sure to hold the camera or monopod while using it. When putting it back together, please follow procedure in reverse.

## Care of the Tripod

- DO NOT apply any grease or oil to this product.
- Clean with a mild detergent and a soft cloth only.
- DO NOT use close to fire. Avoid extreme heat.



SLIK Corporation reserves the right to make changes in design and/or improvements on the products without any obligation and advanced notice.

# SLIK®

# ROVER Series

## Operating Instructions

Thank you very much for choosing SLIK product. SLIK Corporation designs products to be a sturdy, rugged, and dependable, and that will provide you with many years of satisfactory use. Please take a few moments to read this operating instruction manual carefully before use to take full advantage of the many fine features. Retain this operating instruction manual in case you might want to refer back to it.

## Caution

This caution icon refers to information pertaining to important safety procedures in preventing injuries, or damages which may occur as a result of mishandling this product.

## Prohibition

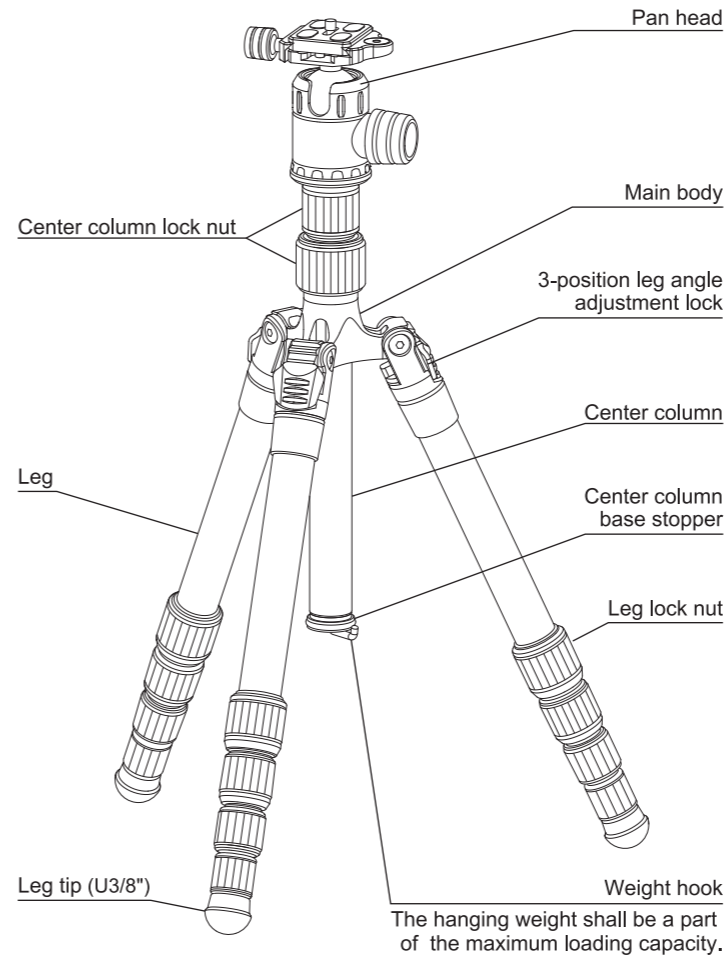
This prohibition icon refers to information pertaining to prohibited contents. Please refer to instruction closely to avoid accidents.

## Specification

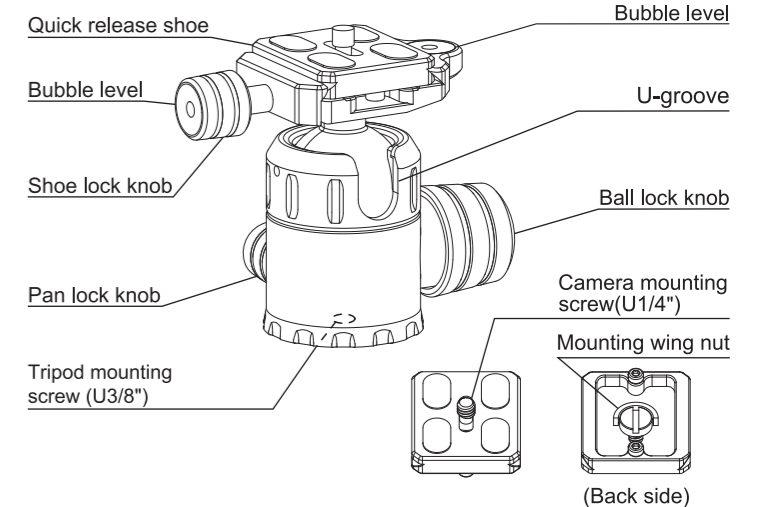
ROVER a	
Folded length	370 mm (14.6 in)
Max. operating height	1,575 mm (62 in)
Max. center column ext.	345 mm (13.5 in)
Weight	1,730 g (3.82 lbs)
ROVER c	
Folded length	370 mm (14.6 in)
Max. operating height	1,575 mm (62 in)
Max. center column ext.	345 mm (13.5 in)
Weight	1,510 g (3.33 lbs)
With exclusive case	

W975

## Components



## Pan head



## Equipment that can be loaded on this tripod

## Prohibition

Maximum loading capacity :  
4kgs (8.81 lbs)

This product has been designed to handle equipment weighing under 4 kgs (8.81 lbs). Do not overload. Some equipment weighing under 4 kgs (8.81 lbs), such as long lenses, may not balance well due to unequal weight distribution. In such case, please use a larger tripod.

## Caution

※Bubble level on the tripod offers approximate leveling of the tripod. It is not accurate as a level feature on most cameras.

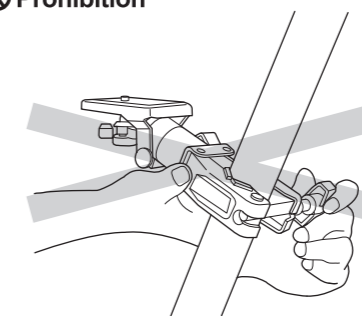
## In case of the shock given to tripod by force

## Caution

When the shock has been given to the tripod and leg such as falling down, please check for cracks, flaws, etc. on the pipes. When you find some cracks, flaws, etc. on the pipes, discontinue use and contact customer support. When damaged it is possible that carbon fibers will splinter from the pipes. In that case, please do not touch it.

## Clamp head

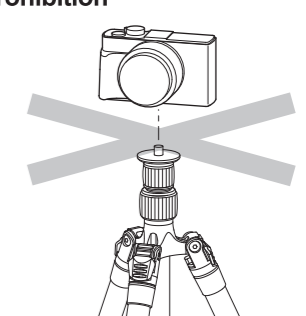
## Prohibition



Please do not use an optional clamp head for a carbon fiber tripod. The pipe may be damaged.

## Pan head attachment screw

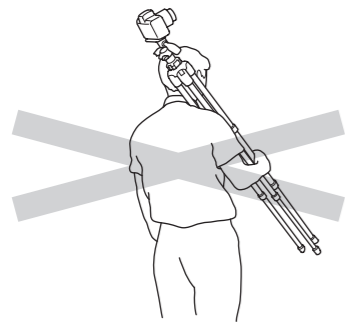
## Prohibition



Do not attach camera directly to the threaded post of the center column. This may damage both camera and tripod.

## Carrying the tripod

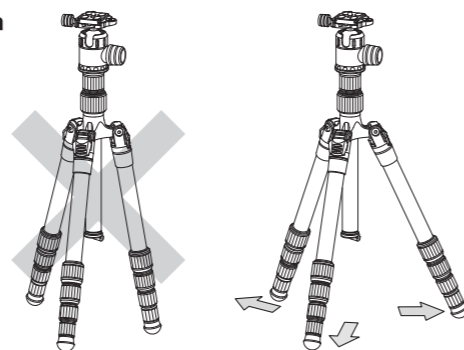
### Prohibition



Carrying the tripod with a camera attached can result in unexpected accidents. We therefore, recommend you to remove your camera while carrying the tripod.

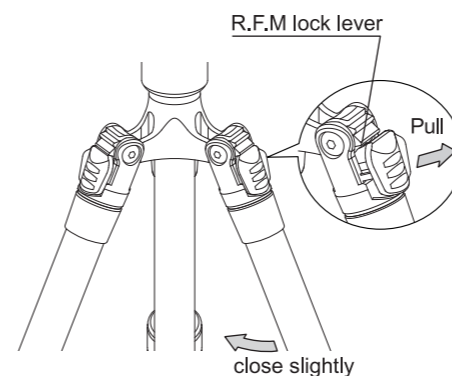
## Setting up

### Caution



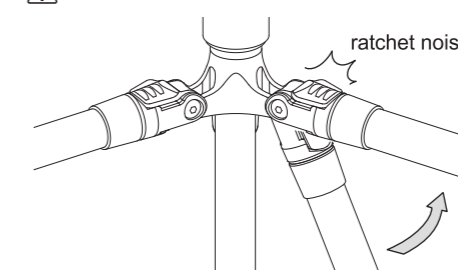
To prevent accidental equipment fall or tripod tipping over, making sure all levers, knobs and handles on the tripod are securely tightened, and all three legs are opened all the way.

## Three position adjustable legs

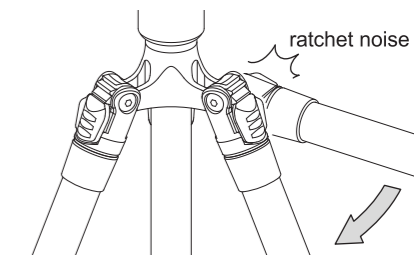


Close the leg slightly and slide the R.F.M lock lever down.

### Caution

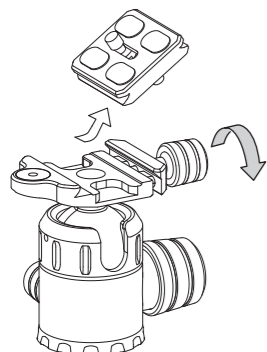


Move the leg up slowly, it will make a ratchet noise at a certain points. This position is the low position.



Close the leg further, a middle position or regular leg position can be chosen.

## Attaching the camera to the quick release shoe

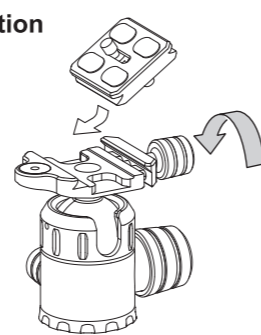


To remove the quick release shoe, loosen the shoe lock knob until the quick release shoe can be removed from the platform.



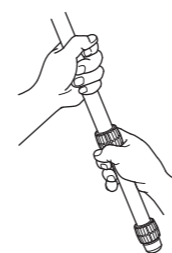
Screw the camera mounting screw into the tripod attachment screw of your camera and fix firmly.

### Caution



Fix the shoe lock knob firmly after inserting the quick release shoe onto the platform. Please make sure the equipment is securely fixed to the ball head, before you use the ball head.

## Extending the tripod legs

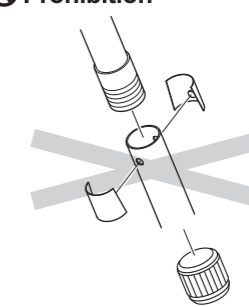


When you extend the legs, please start with the upper section. When you collapse the legs, please start with the lower sections. Grip the leg just above the leg lock nut for best results.

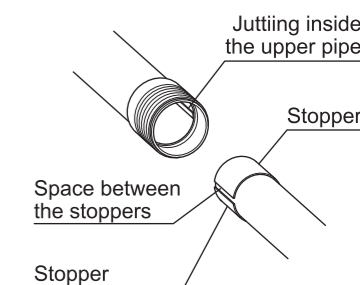


It is easier to extend the tripod legs if you turn the leg-tips to the foot, while leaving legs close.

### Prohibition

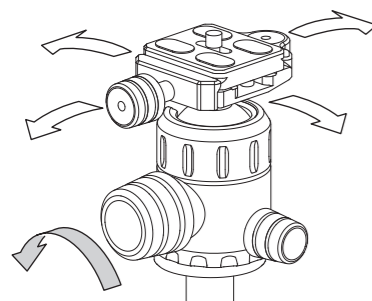


Do not remove the nut and take out pieces. If it has been removed, insert the pieces as per the above specification.

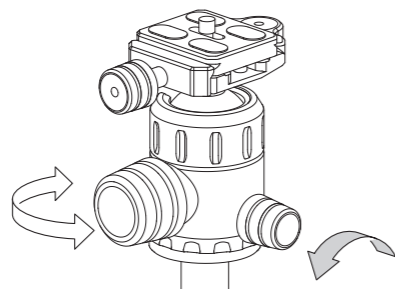


Match the space between the stoppers and jutting inside the upper pipe when the pipe is connecting.

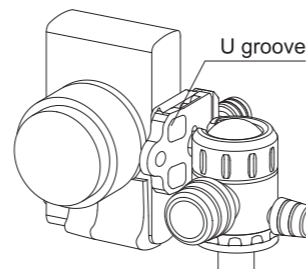
## Operating the ball head



The platform can be moved freely when the ball lock knob is loose. Please hold onto the camera while adjusting the ball locking knob to avoid accidental fall.

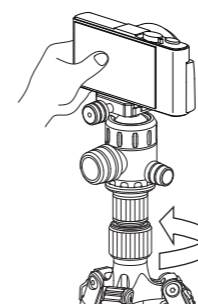


When the pan lock knob is loose, the head can rotate horizontally.

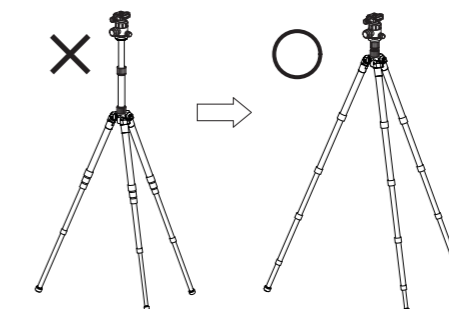


To set vertical camera position, place the platform into U-groove.

## Operating the center column

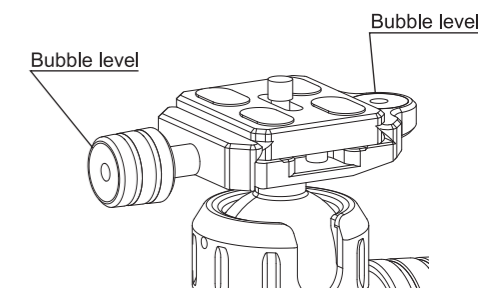


Loosen the center column lock nut while holding the head or camera. Move the center column up and down to set the desired position. Once the position is set, secure the center column lock nut firmly before releasing your hand.



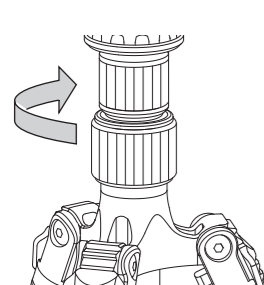
To avoid unnecessary camera vibrations, try to keep the center column height to a minimum. Also use the larger legs first when extending the legs.

## Bubble level

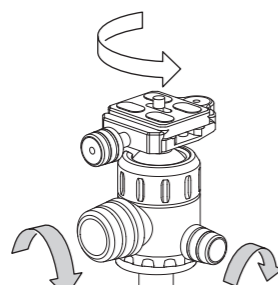


Adjust the level so that the bubble is inside of the marked circle.

## Removing head from the center column

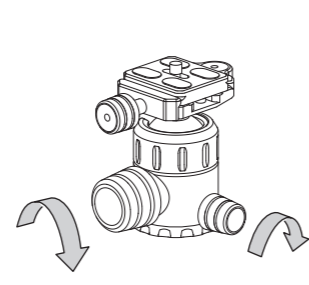


Tighten the center column lock nut.

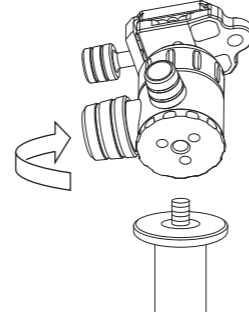


Tighten the ball lock knob and pan lock knob. Turn the head counter-clockwise to loosen.

## Setting head to the center column

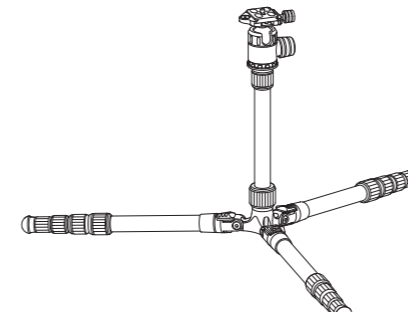


Tighten the ball lock knob and pan lock knob.

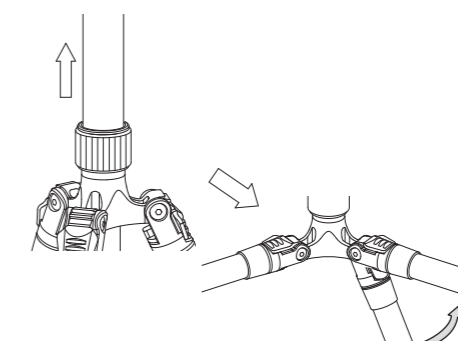


Set the ball head on the tripod's threaded post, and turn clockwise until it comes to a stop.

## Low position

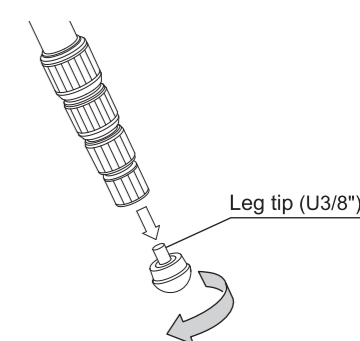


You can get lower height.



Loosen the thick center column lock nut, extend the center column upward, and set the leg opening angle to the low angle position.

## Leg tip



The leg tip can be removed by turning it in the direction of the arrow. Spikes (U3/8") and other accessories can be attached as an option.