

Operating Instructions

Thank you very much for choosing SLIK product. SLIK Corporation has designed a sturdy, rugged, dependable product that will provide you with many years of satisfactory use. Please take a few moments to read this operating instruction manual carefully before use to take full advantage of the many fine features. Retain this operating instruction manual in case you might want to refer back to it.

Size	One Size Fits All
Color	Black
Main Belt Width	50 mm
Weight	1,010 g
Waist Belt Length	135 mm
Holder Diameter	45 mm

⚠ Caution

This caution icon refers to information pertaining to important safety procedures in preventing injuries, or damages which may occur as a result of mishandling this product.

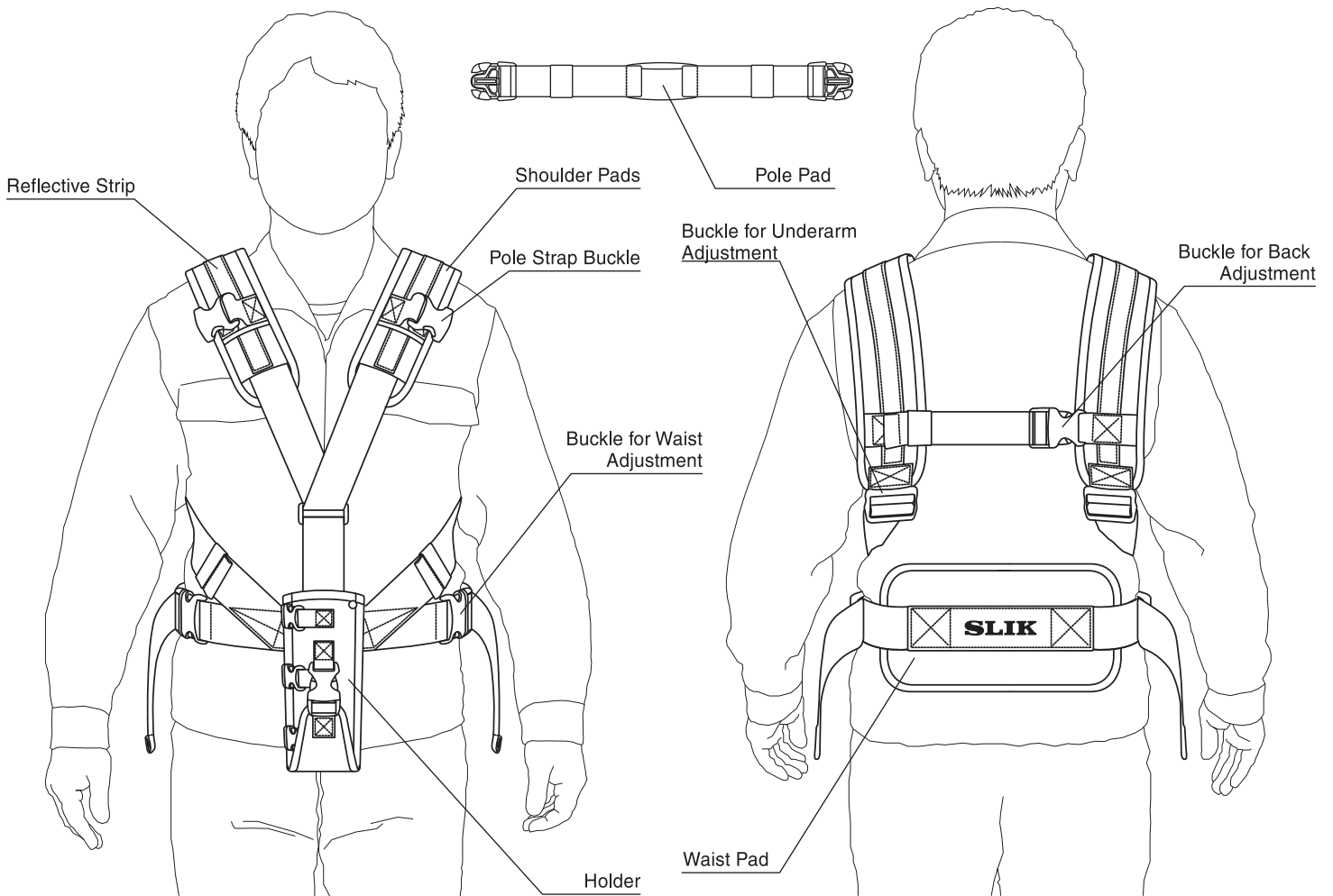
Compatible Telescopic Poles

ALP Series
AP Series
CLP Series

🚫 Prohibition

This prohibition icon refers to information pertaining to prohibited contents. Please refer to instruction closely to avoid accidents.

Components



Precautions when using with Telescopic pole

🚫 Prohibition

- Do not use the product in the following locations:
 - Locations with strong winds
 - Locations with large crowds
 - Locations where footing is unstable
 - Locations where the use of long objects is prohibited, such as train station platforms
 - Locations where the use of the product could pose a safety hazard
 - Do not use the product at an angle or parallel to the ground. Doing so may cause the equipment to fall, resulting in injury to the user or bystanders, or property damage.

⚠ Caution

- Depending on the location or facility, there may be restrictions on the use of long items. Please contact the relevant operator, local government, or organization in advance regarding transportation and use. Please note that we cannot respond to individual inquiries regarding bring-in policies or usage.

⚠ Danger

This product poses an imminent risk of death or serious injury if handled improperly.

⚡ About Electric Shock

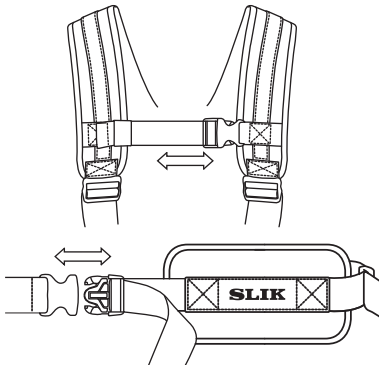
- Never use this product near electrical equipment such as power transmission lines, distribution lines, railway overhead wires, or power facilities. Contact with wires or simply approaching them may cause an electrical discharge and result in electric shock.
- Moving while the pole is extended may cause it to come into contact with overhead wires or power lines, resulting in electric shock. Be sure to retract the pole before moving.

⚡ About Lightning

- If you hear thunder or see cumulonimbus clouds approaching—indicating a high risk of lightning—stop using the product immediately, move away from it, and take shelter in a safe location, such as inside a building or a car.
- Depending on weather conditions, if you notice sparks coming from the device, hear crackling sounds, or feel an electric shock while holding it, there is a possibility of lightning. In such cases, stop using the product immediately and evacuate to a safe location.



How to Wear



Adjust the back strap and fasten the buckle. Be sure to unfasten one of the waist buckles.

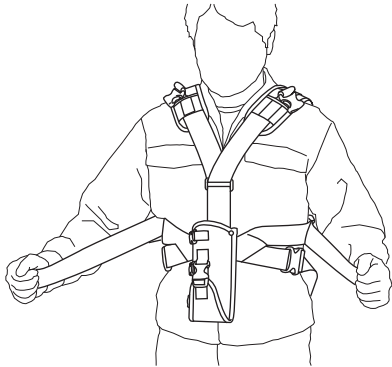


Position the Y-shaped strap in front of you, pull it over your head, and slip your arms through the side openings.
*If the back strap is loose, adjust it before putting it on.



Please fasten the waist buckle.

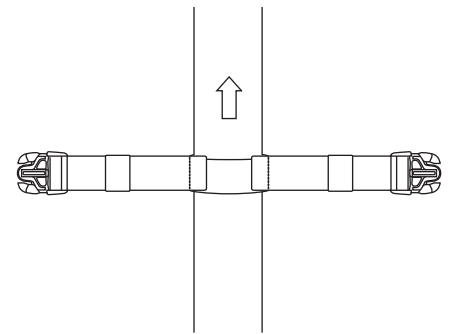
How to Install a Telescopic Pole



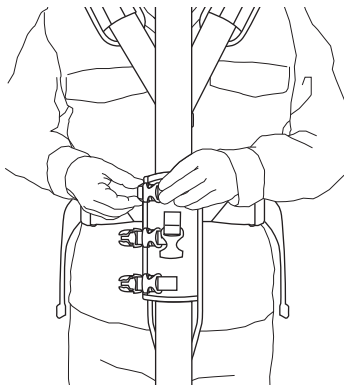
If the shoulder pads are loose, pull the underarm strap to adjust the tightness.
*Please be careful not to tighten them too much.



If the waist is too loose or too tight, adjust the buckle on the waist belt.



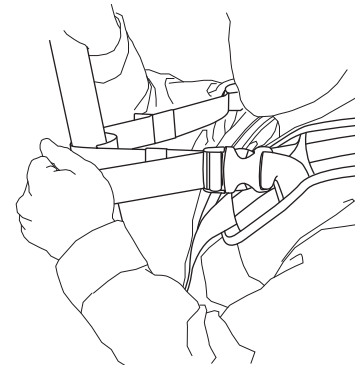
Insert the telescopic pole into the pole strap.



Unfasten all the buckles on the holder, insert the telescopic pole, and secure it by fastening the three side buckles.

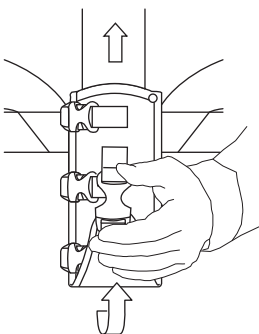


Secure the pole strap attached to the telescopic pole to the buckle on the shoulder pad, then extend the telescopic pole.



Adjust the pole's angle using the pole strap.

⚠ Caution



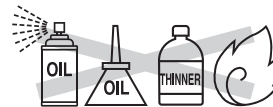
After fully extending the telescopic pole, lift it up to the bottom of the holder and fasten the side buckle.
*Be careful not to lose your balance.

⚠ Caution



Although this product holds the pole securely, be sure to support the telescoping pole with one hand.

🚫 Prohibition



- Do not apply chemicals such as oil or grease to this product.
- Keep away from fire. Do not leave the product unattended for long period of time in high-temperature environments, such as inside a vehicle during summer.
- Do not use the product if the belt is broken even in one spot.

Care Instructions

- If the item becomes dirty, apply a neutral detergent to a soft cloth and wipe it down. Then, wipe it dry with a clean, dry cloth.

SLIK Corporation reserves the right to change designs and improvements without any obligation and advance notice.

SLIK CORPORATION

853 Kayama, Hidaka City, Saitama 350-1231 Japan
Phone 81-42-989-2141, Fax. 81-42-985-0210 ©2026