

Operating Instructions

Thank you very much for choosing SLIK products. SLIK Corporation designs products to be sturdy, rugged and dependable, and that will provide you with many years of satisfactory use. Please take a few moments to read this operating instruction manual carefully before use to take full advantage of the many fine features. Retain this operating instruction manual in case you might want to refer back to it.

⚠ Caution

This caution icon refers to information pertaining to important safety procedures in preventing injuries or damages that may occur as a result of mishandling this product.

🚫 Prohibition

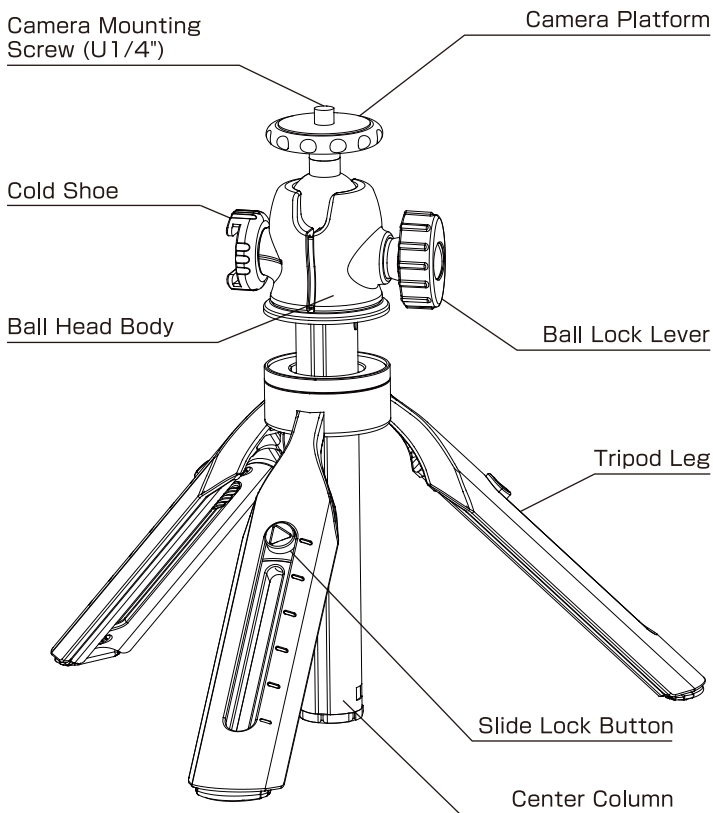
This prohibited icon refers to information pertaining to prohibited content. Please refer to instructions closely to avoid accidents.

Specification

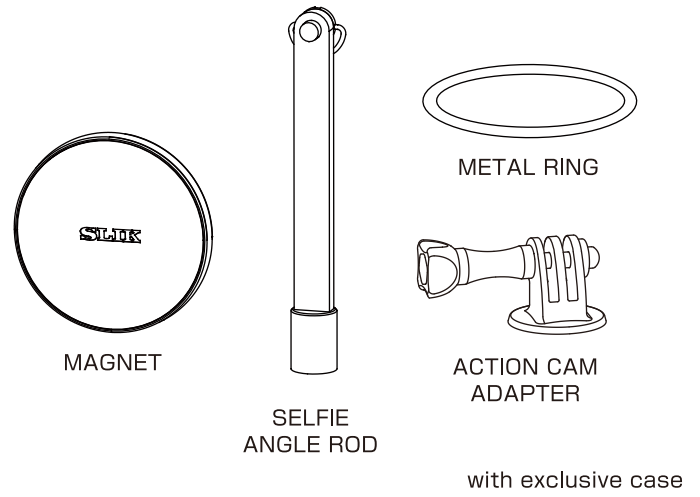
Folded length	220mm / 8.66in
Max.operating height	950mm / 37.4in
Weight	310g / 0.69lb

Y559

Components



Accessories



Carrying the tripod

🚫 Prohibition

Remove the camera and smartphone from the unit while transporting. Camera or smartphone may fall from the unit and cause injury or property damage.

Equipment that can be loaded on this tripod

🚫 Prohibition

This equipment is designed to carry up to 500g / 1.1lb of equipment. Do not overload. Some equipment weighting under 500g / 1.1lb, may not balance well due to its weight distribution.

Precautions for use

⚠ Caution

Before using this unit, please make sure all equipment attached to the unit is securely held in place. Please handle with utmost care, as the camera or smartphone will leave from your hand. Please do not leave the unit unattended. The unit may fall down and cause damage to the equipment.

Installation of the unit and set up

⚠ Caution

To prevent accidental falls or tripod tipping over, make sure all levers, knobs and handles on the tripod are securely tightened. And all of the three legs are opened all the way.

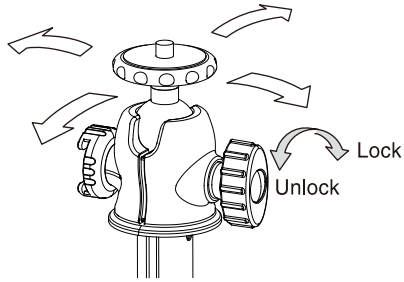
About the Magnet

⚠ Caution

This product can be attached to iPhone 12 or later models that are compatible with MagSafe. For models that cannot be attached with magnets, the included metal ring can be attached by sticking it to the case. Please note that there may be cases where the ring plate cannot be attached depending on the material and shape of the case. Please understand that we do not guarantee the compatibility with wireless charging when the ring plate is attached. Even with MagSafe compatible models, depending on the shape and thickness of the case used, it may not be possible to maintain sufficient holding power. In such cases, please remove the case or use a MagSafe compatible case. Please note that we are unable to provide information on the compatibility with individual cases. When using the product outdoors, there is a possibility that iron sand or other particles may adhere to the product. If the smartphone is installed in such a state, it may cause damage or malfunction of the device. iPhone and MagSafe are trademarks of Apple Inc.

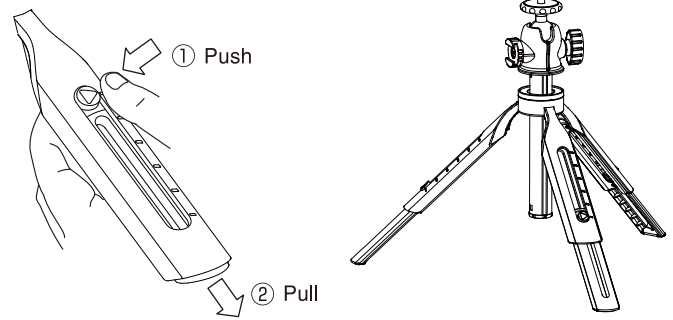
How to use the Ball Lock Head

⚠ Caution



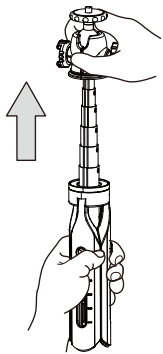
Unlock the ball lock knob to free the camera platform. After determining the desired angle, tighten the ball lock knob firmly. Always operate the ball lock knob while holding the smartphone or camera. Failure to do so may cause the equipment to move suddenly, damaging it or causing it to tip over.

Extending of tripod leg



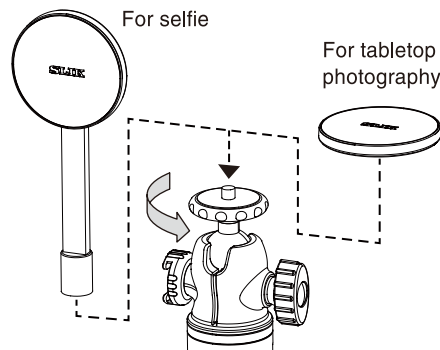
The tripod legs can be extended to five different lengths. To adjust the length, pull the tripod leg in the direction of the arrow while simultaneously pressing the slide lock button. Important: Ensure that the latch on each tripod leg is securely locked in place and that there is no movement before use.

Extending of Center column



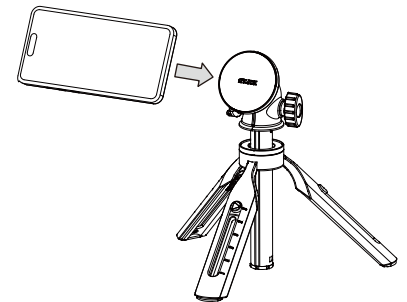
To extend the center column, hold both the tripod legs and the camera platform securely. Then, pull the center column upward in the direction indicated by the arrow.

Attaching the Magnet



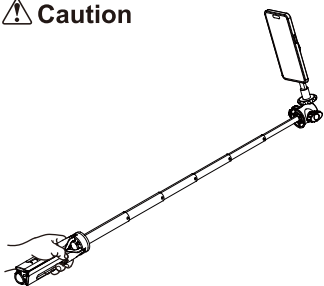
For selfie use, attach the device to the selfie angle rod. For tabletop photography attach it directly to the tripod head.

How to attach the Smartphone (Magnet)



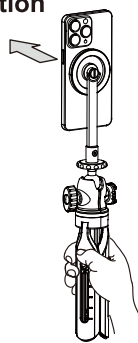
Adjust the magnetic mount to the desired height. Once positioned, attach the smartphone to the magnet. Make sure that the smartphone is securely attached before releasing your hand to prevent it from falling.

⚠ Caution



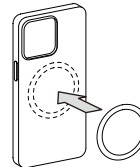
When using the tripod as a selfie stick, take caution to avoid dropping your smartphone or other attached devices. Always check that all mounts and connections are secure before extending or moving.

⚠ Caution



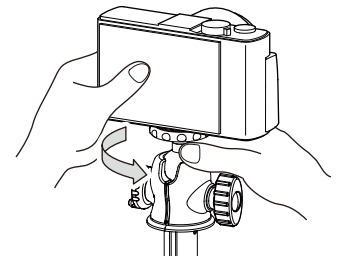
To remove the smartphone, pull the smartphone in the direction of the arrow while holding the tripod. Be careful not to drop the smartphone.

⚠ Caution



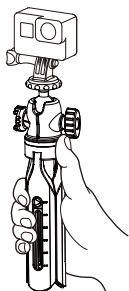
As much as possible, attach the included ring plate to the center of the back of your smartphone case. Avoid attaching it directly to the smartphone, as this may cause scratches or other damage. Before attachment, make sure to clean the surface to remove any oil, dust, or debris. We are not responsible for any damage, malfunctions, data loss, or other issues resulting from the attachment or use of the ring plate.

How to attach the Camera



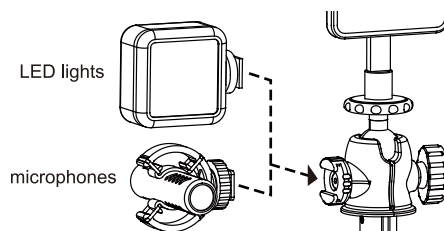
Hold the camera firmly, and screw the tripod into the tripod socket. Always check the screw engagement, and rotate the monopod slowly and carefully in the beginning.

How to attach Action Camera



An action camera can be mounted using the Action Cam adapter.

Cold shoe



LED lights, microphones, and other compatible accessories can be mounted on the cold shoe. The cold shoe located on the side of the head is rotatable for flexible positioning. Make sure that the total weight of the mounted equipment does not exceed the maximum weight limit specified to prevent damage or instability.

Care of the product

- DO NOT apply any grease or oil to this product.
- Clean with a mild detergent and a soft cloth only.
- DO NOT use the unit close to flame. Avoid extreme heat.



SLIK Corporation reserves the right to make changes in design and/or improvements on the products without any obligation and advanced notice.