

### Operating Instructions

Thank you very much for choosing SLIK product. SLIK Corporation has designed to be a sturdy, rugged, dependable product that will provide you with many years of satisfactory use. Please take a few moments to read this operating instruction carefully before use so that you can take full advantage of many fine features. Retain this operating instruction in case you might want to refer back to it.

Folded length	675 mm (26.6 in)
Max. operating height	1,720 mm (67.7 in)
Weight	590 g (1.3 lbs)

### ⚠ Caution

This caution icon refers to information pertaining to important safety procedures in preventing injuries, or damages which may occur as a result of mishandling this product.

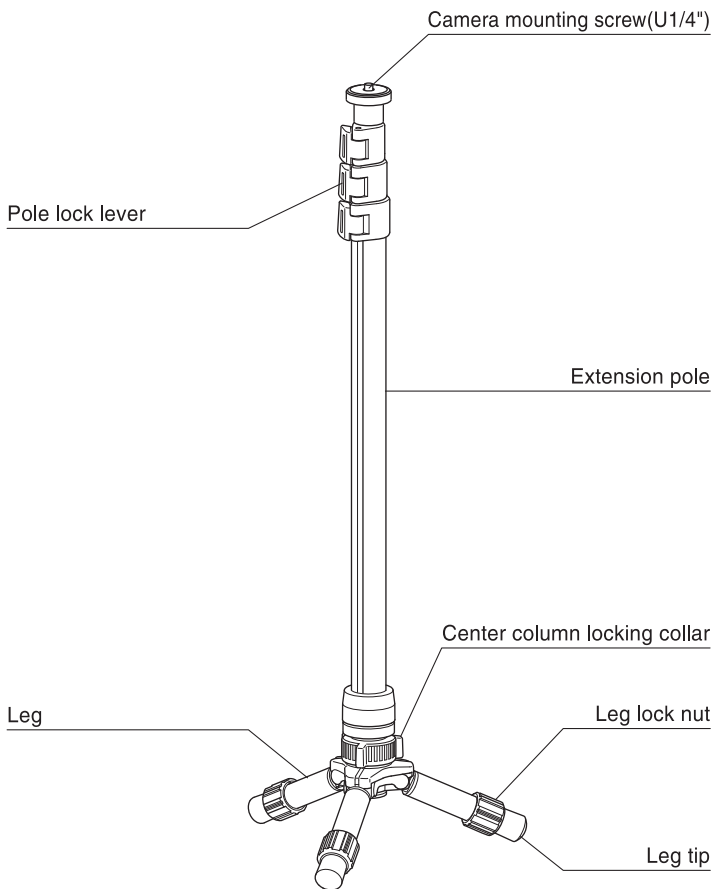
### 🚫 Prohibition

This prohibited icon refers to information pertaining to prohibited contents. Please refer to instructions closely to avoid accidents.

With exclusive case

Y892

## Components



## Equipment that can be loaded on this product

### 🚫 Prohibition

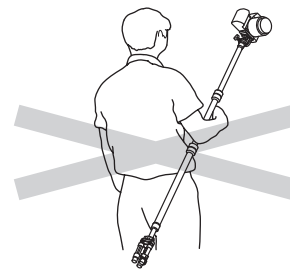
Maximum loading capacity : 1 kg (2.2 lbs)

Do not overload.

This product has been designed to handle equipment weighing under the maximum load capacity. Some equipments weighing under the maximum load capacity may not balance well due to its weight distribution. Use a larger tripod or head in such case.

## Carrying the stand pod

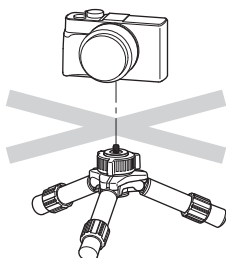
### 🚫 Prohibition



Carrying a stand pod with a camera left on can result in unexpected accidents. We therefore, recommend you remove your camera while carrying the stand pod.

## Pole attachment screw

### 🚫 Prohibition



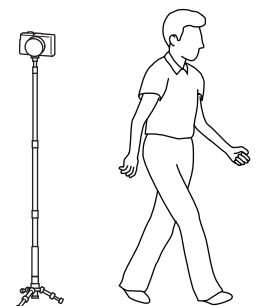
Do not attach your camera or the other equipment to the tripod directly. These screws are not for mounting the equipments. Make sure to mount your camera or an equipment on a extension pole.

## Setting up

### ⚠ Caution

To prevent accidental falls or tripod tipping over, making sure all levers, knobs and handles on the equipments are securely tightened. And all of the three legs are opened all the way.

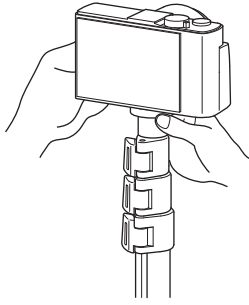
## ⚠ Caution



When you leave the stand pod, make sure that the stand pod is self-standing. Installing the stand pod in an unstable location can lead to an accident of a stand pod fall.

---

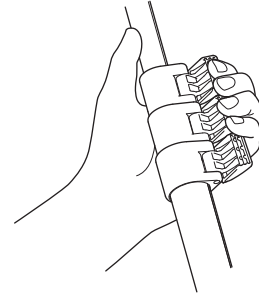
## Attaching a camera



Set the camera, on the camera mounting screw, and turn clockwise until it comes to a stop.

---

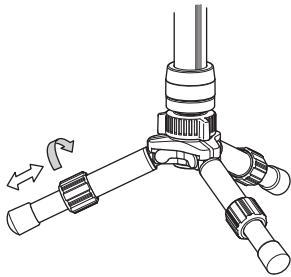
## Extending the extension pole



Flip up the leg lock lever to extend or shorten the leg. Making sure to flip up the leg lock lever fully when the leg is extended or shortened.

---

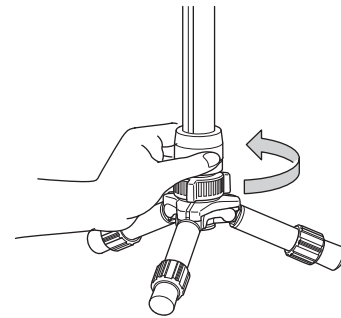
## Extending the tripod legs



To extend any leg, turn the leg lock nut counter clockwise.

---

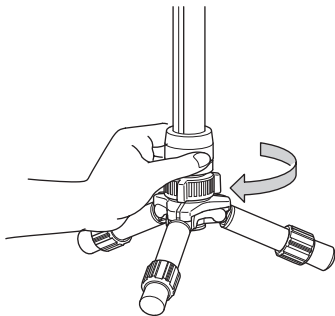
## Remove the extension pole



Tighten the center column locking collar.  
Grasp the extension pole and turn it counter clockwise.

---

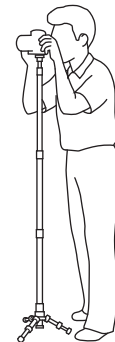
## Attach the extension pole



Tighten the Center column locking collar.  
Match the tripod screw and turn the the extension pole clockwise.

---

## Using the stand pod

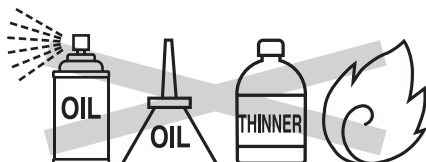


The stand pod has more stability when the tripod legs are extended all the way.

---

## Care of the product

- DO NOT apply any grease or oil to this product.
- Clean with a mild detergent and a soft cloth only.
- DO NOT use close to flame. Avoid extreme heat.



SLIK Corporation reserves the right to make changes in design and/or improvements on the products without any obligation and advanced notice.

---

SLIK CORPORATION

853 Kayama, Hidaka City, Saitama 350-1231 Japan Phone 81-42-989-2141, Fax. 81-42-985-0210 ©2025